



# Owner's Manual



This manual should remain with the unit.

# Table of Contents

Safety Rules .....	Inside Front Cover
<b>General Information</b> .....	<b>2</b>
Introduction .....	2
Equipment Description .....	2
Transfer Switch Features .....	2
Specifications .....	2
Load Center .....	2
Transfer Switch Mechanism .....	3
Transfer Switch Data Decal .....	3
Panelboard Enclosure .....	3
Safe Use Of Transfer Switch .....	3
<b>Installation</b> .....	<b>4</b>
Introduction to Installation .....	4
Unpacking .....	4
Mounting .....	4
Connecting Power Source and Load Lines .....	4
Connecting Control Circuit Wires .....	5
<b>Operation</b> .....	<b>5</b>
Functional Tests & Adjustments .....	5
Manual Operation .....	5
Close to Utility Source Side .....	5
Close to Generator Source Side .....	5
Return to Utility Source Side .....	5
Voltage Checks .....	5
Generator Tests Under Load .....	6
Electrical Operation .....	6
<b>Interconnection Diagram</b> .....	<b>7</b>
<b>Installation Diagram</b> .....	<b>8</b>
<b>Warranty</b> .....	<b>Back Cover</b>

## SAFETY RULES

- ⚠ SAVE THESE INSTRUCTIONS** - This manual contains important instructions that should be followed during installation and maintenance of the generator and batteries.
- ⚠ SAVE THESE INSTRUCTIONS!** Read the following information carefully before attempting to install, operate or service this equipment. Also read the instructions and information on tags, decals, and labels that may be affixed to the transfer switch. Replace any decal or label that is no longer legible.
- ⚠ DANGER!** Connection of a generator to an electrical system normally supplied by an electric utility shall be by means of suitable transfer equipment so as to isolate the electric system from utility distribution system when the generator is operating (Article 701 Legally Required Standby Systems or Article 702 Optional Standby Systems, as applicable). Failure to isolate electric system by these means may result in damage to generator and may result in injury or death to utility workers due to backfeed of electrical energy.

Every possible circumstance that might involve a hazard cannot be anticipated. The warnings in this manual, and on tags and decals affixed to the unit are, therefore, not all-inclusive. If using a procedure, work method or operating technique the manufacturer does not specifically recommend, ensure that it is safe for others. Also make sure the procedure, work method or operating technique utilized does not render the transfer switch unsafe.

Throughout this publication, and on tags and decals affixed to the generator, DANGER, WARNING, CAUTION and NOTE blocks are used to alert personnel to special instructions about a particular operation that may be hazardous if performed incorrectly or carelessly. Observe them carefully. Their definitions are as follows:

### **⚠ DANGER!**

**INDICATES A HAZARDOUS SITUATION OR ACTION WHICH, IF NOT AVOIDED, WILL RESULT IN DEATH OR SERIOUS INJURY.**

### **⚠ WARNING!**

**Indicates a hazardous situation or action which, if not avoided, could result in death or serious injury.**

### **⚠ CAUTION!**


**Indicates a hazardous situation or action which, if not avoided, could result in minor or moderate injury.**

## NOTE:

Notes contain additional information important to a procedure and will be found within the regular text body of this manual.

These safety warnings cannot eliminate the hazards that they indicate. Common sense and strict compliance with the special instructions while performing the action or service are essential to preventing accidents.

Four commonly used safety symbols accompany the **DANGER**, **WARNING** and **CAUTION** blocks. The type of information each indicates is as follows:

 **This symbol points out important safety information that, if not followed, could endanger personal safety and/or property of others.**

 **This symbol points out potential explosion hazard.**

 **This symbol points out potential fire hazard.**

 **This symbol points out potential electrical shock hazard.**

## GENERAL HAZARDS

- Any AC generator that is used for backup power if a UTILITY (NORMAL) power source failure occurs, must be isolated from the UTILITY (NORMAL) power source by means of an approved transfer switch. Failure to properly isolate the NORMAL and STANDBY power sources from each other may result in injury or death to electric utility workers, due to backfeed of electrical energy.
- Improper or unauthorized installation, operation, service or repair of the equipment is extremely dangerous and may result in death, serious personal injury, or damage to equipment and/or personal property.
- Extremely high and dangerous power voltages are present inside an installed transfer switch. Any contact with high voltage terminals, contacts or wires will result in extremely hazardous, and possibly LETHAL, electric shock. DO NOT WORK ON THE TRANSFER SWITCH UNTIL ALL POWER VOLTAGE SUPPLIES TO THE SWITCH HAVE BEEN POSITIVELY TURNED OFF.

**For authorized service,  
reference the dealer locator  
number found inside the  
generator owner's manual.**

- Competent, qualified personnel should install, operate and service this equipment. Adhere strictly to local, state and national electrical and building codes. When using this equipment, comply with regulations the National Electrical Code (NEC), CSA Standard; C22.1 Canadian Electric Code and Occupational Safety and Health Administration (OSHA) have established.
- Never handle any kind of electrical device while standing in water, while barefoot, or while hands or feet are wet. DANGEROUS ELECTRICAL SHOCK MAY RESULT.
- Jewelry conducts electricity and wearing it may cause dangerous electrical shock. Remove all jewelry (such as rings, watches, bracelets, etc.) before working on this equipment.
- If work must be done on this equipment while standing on metal or concrete, place insulative mats over a dry wood platform. Work on this equipment only while standing on such insulative mats.
- Never work on this equipment while physically or mentally fatigued.
- Keep the transfer switch enclosure cover closed and bolted at all times. Only qualified personnel should be permitted access to the switch interior.
- In case of an accident caused by electric shock, immediately shut down the source of electrical power. If this is not possible, attempt to free the victim from the live conductor but AVOID DIRECT CONTACT WITH THE VICTIM. Use a nonconducting implement, such as a dry rope or board, to free the victim from the live conductor. If the victim is unconscious, apply first aid and get immediate medical help.
- When an automatic transfer switch is installed for a standby generator set, the generator engine may crank and start at any time without warning. To avoid possible injury that might be caused by such sudden start-ups, the system's automatic start circuit must be disabled before working on or around the generator or transfer switch. Place a "DO NOT OPERATE" tag on the transfer switch and on the generator. Remove the Negative (Neg) or (-) battery cable on the generator.

### **CALIFORNIA PROPOSITION 65 WARNING**

Engine exhaust and some of its constituents are known to the State of California to cause cancer, birth defects and other reproductive harm.

### **CALIFORNIA PROPOSITION 65 WARNING**

This product contains or emits chemicals known to the State of California to cause cancer, birth defects and other reproductive harm.

## General Information

### INTRODUCTION

This manual has been prepared especially for the purpose of familiarizing personnel with the design, application, installation, operation and servicing of the applicable equipment. Read the manual carefully and comply with all instructions. This will help to prevent accidents or damage to equipment that might otherwise be caused by carelessness, incorrect application, or improper procedures.

Every effort has been expended to make sure that the contents of this manual are both accurate and current. The manufacturer, however, reserves the right to change, alter or otherwise improve the product at any time without prior notice.

### EQUIPMENT DESCRIPTION

The automatic transfer switch is used for transferring electrical load from a UTILITY (NORMAL) power source to a GENERATOR (STANDBY) power source. Such a transfer of electrical loads occurs automatically when the UTILITY power source has failed or is substantially reduced and the GENERATOR source voltage and frequency have reached an acceptable level. The transfer switch prevents electrical feedback between two different power sources (such as the UTILITY and GENERATOR sources) and, for that reason, codes require it in all standby electric system installations.

The transfer switch is designed to operate in conjunction with a Nexus control panel used on Generac generators. Utility voltage, automatic transfer switch operation and sequence delays are controlled by the control panel on the generator. The generator AUTO/OFF/MANUAL switch must be in the AUTO position for automatic operation of the transfer switch mechanism.

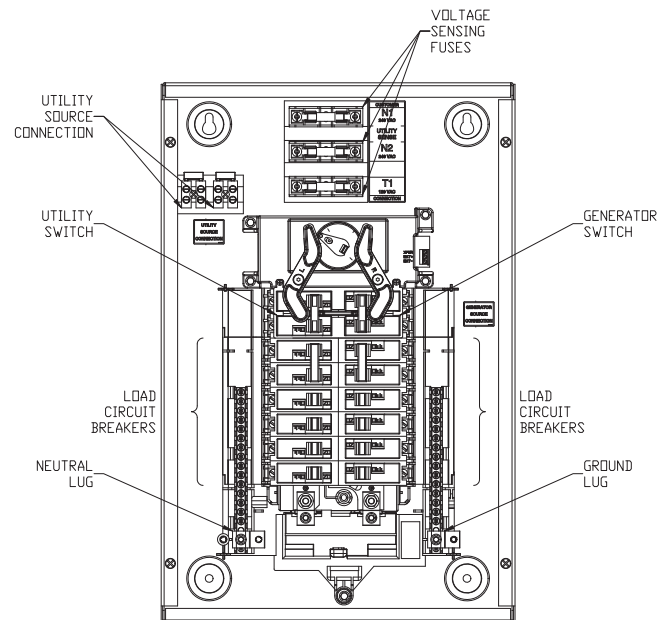
Utility voltage is monitored by the control panel. When the Utility voltage drops below a preset value the generator will start and run. After a warm up period, the transfer switch mechanism will turn off the Utility switch and turn on the Generator switch connecting the customer load to the Generator supply.

The Utility voltage is continuously monitored by the control panel. When the voltage is above a preset value, the Return to Utility timer is initiated. When this timer expires, the transfer mechanism will turn off the Generator switch and turn on the Utility switch connecting the customer load to the Utility supply.

### TRANSFER SWITCH FEATURES

- Utilizes standard Siemens components
- UL listed to U.S.A. and Canadian safety standards
- Single panels are compatible with single-phase generators rated up to 50 Amps/12 kW
- Flush or Surface Mount NEMA 1 enclosure

Figure 1 — GenReady Advanced Panelboard with Operator



### SPECIFICATIONS

#### LOAD CENTER

Enclosure.....	NEMA Type 1, Surface or Flush Mount, general purpose, painted metal
Utility & Generator Switch .....	50 Amp
Utility & Generator switch wire size .....	# 2 to 1/0 Cu, 1/0-2/0 Al
Neutral Lug .....	# 6 - 2/0
Ground Lug.....	# 6 - 2/0
Neutral & Ground bars .....	#4 - 14 AWG
Ground Fault or Arc Fault Circuit Breaker .....	QPF or QAF Siemens
Withstand rating Main bus (amps).....	10,000
Meets NEC wire bending space.....	Yes
Meets UL listed and CSA.....	Yes
Weight .....	24 lbs.
Operating temperature range .....	-20° F to 140° F

***TRANSFER SWITCH MECHANISM***

This transfer switch consists of a Utility and a Generator supply 2-pole switch which feeds a common bus. The switches look similar to a circuit breaker but do not have internal current sensing components. The two switches are mechanically interlocked so that both sources cannot feed the common bus at the same time. The operator is a rotary device that actuates the arms that push on the 2-pole switch handles transferring the customer load from one source to the other. The operator returns to a neutral position so the arms move freely and the switches can be operated by hand for a manual transfer.

This transfer switch is to be used with a single-phase system, when the single-phase NEUTRAL line is to be connected to a Neutral Lug and is not to be switched (Figure 2).

Solderless, screw-type terminal lugs are standard.

This transfer switch is suitable for control of motors, electric discharge lamps, tungsten filament and electric heating equipment where the sum of motor full load ampere ratings and the ampere ratings of other loads do not exceed the ampere rating of the switch and the tungsten load does not exceed 30 percent of the switch rating.

This transfer switch is for use in optional standby systems only (NEC article 702).

**Figure 2 — Transfer Mechanism**



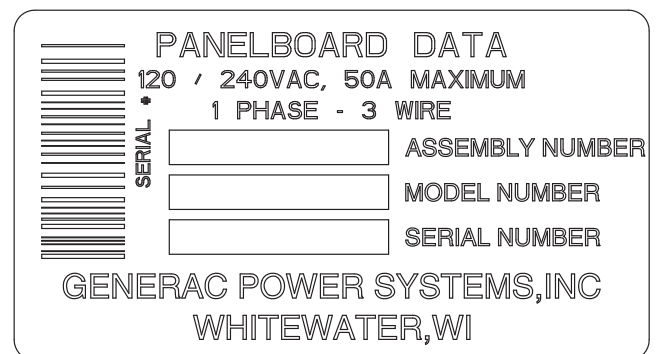
**TRANSFER SWITCH DATA DECAL**

A DATA DECAL is permanently affixed to the transfer switch enclosure (Figure 3). Use this transfer switch only with the specific limits shown on the DATA DECAL and on other decals and labels that may be affixed to the switch. This will prevent damage to equipment and property.

When requesting information or ordering parts for this equipment, make sure to include all information from the DATA DECAL.

Record the Model (if supplied), Serial and Assembly numbers in the space provided below for future reference.

**Figure 3 — Data Decal**



**PANELBOARD ENCLOSURE**

The standard switch enclosure is a National Electrical Manufacturer's Association (NEMA) UL Type 1.

**SAFE USE OF TRANSFER SWITCH**

Before installing, operating or servicing this equipment, read the SAFETY RULES carefully. Comply strictly with all SAFETY RULES to prevent accidents and/or damage to the equipment. The manufacturer recommends that a copy of the SAFETY RULES are posted near the transfer switch. Also, be sure to read all instructions and information found on tags, labels and decals affixed to the equipment.

The publications that outline the safe use of transfer switches are the following:

- NFPA 70; National Electrical Code
- NFPA 70E; Standard for Electrical Safety in the Workplace
- UL 1008, Standard for Safety - Automatic Transfer Switches
- UL 67, Standard for Safety - Panelboard

**NOTE:**

**It is essential to use the latest version of any standard to ensure correct and current information.**

# Installation

## INTRODUCTION TO INSTALLATION

This equipment has been wired and tested at the factory. Installing the switch includes the following procedures:

- Mounting the enclosure.
- Connecting power source and load leads.
- Connecting the utility sensing and transfer relay circuits.
- Testing functions; manual and electrical operations.

## UNPACKING

Carefully unpack the load center/transfer switch. Inspect closely for any damage that might have occurred during shipment.

Check that all packing material is completely removed from the switch prior to installation.

## MOUNTING

Mounting dimensions for the transfer switch enclosure are in this manual. Enclosures are typically wall-mounted. The enclosure is designed to be flush mounted in a 2" x 4", 16" on center, stud wall. See the "Installation Diagram".

### ▲ CAUTION!

- ▲ Handle load centers carefully when installing. Do not drop. Protect the load center against impact at all times, and against construction grit and metal chips. Never install a load center that has been damaged.**

This load center is mounted in a NEMA 1 enclosure. It must be mounted indoors.

Install the transfer switch as close as possible to the electrical loads that are to be connected to it. Mount the switch vertically to a rigid supporting structure. To prevent switch distortion, level all mounting points. If necessary, use washers behind mounting holes to level the unit.

## CONNECTING POWER SOURCE AND LOAD LINES

### ▲ DANGER!

- ▲ Make sure to turn OFF both the UTILITY (NORMAL) and GENERATOR (STANDBY) power supplies before trying to connect power source and load lines to the transfer switch. Supply voltages are extremely high and dangerous. Contact with such high voltage power supply lines causes extremely hazardous, possibly lethal, electrical shock.**

Wiring diagrams and electrical schematics are provided in this manual.

### NOTE:

**All installations must comply with national, state and local codes. It is the responsibility of the installer to perform an installation that will pass the final electrical inspection.**

The utility supply connection is made at the UTILITY SOURCE CONNECTION terminal strip. The generator supply connection is made at the GENERATOR SWITCH terminals. The customer load connections are made at the individual 1 or 2-pole circuit breakers, inside the switch enclosure.

Conductor sizes must be adequate to handle the maximum current to which they will be subjected to, based on the 75°C column of tables, charts, etc. used to size conductors. The installation must comply fully with all applicable codes, standards and regulations.

Before connecting wiring cables to terminals, remove any surface oxides from the cable ends with a wire brush. All power cables must enter the enclosure through the knockouts. If not using the knockouts, entry must be at or below knockouts. If ALUMINUM conductors are used, apply corrosion inhibitor to conductors. Tighten terminal lugs to the torque values as noted on the decal located on the inside of the door. After tightening terminal lugs, carefully wipe away any excess corrosion inhibitor.

### ▲ CAUTION!

- ▲ Use a torque wrench to tighten the conductors, being sure not to overtighten, or damage to the insulating base could occur. If not tightened enough, a loose connection would result, causing excess heat which could damage the switch base.**

Connect power source load conductors to clearly marked transfer mechanism terminal lugs as follows:

1. Connect UTILITY (NORMAL) power source cables to UTILITY SOURCE CONNECTION terminal strip.
2. Connect GENERATOR (STANDBY) source power cables to GENERATOR SWITCH terminals.
3. Connect customer LOAD leads to 1 or 2-pole circuit breakers.

Conductors must be properly supported, of approved insulative qualities, protected by approved conduit, and of the correct wire gauge size in accordance with applicable codes.

Be sure to maintain proper electrical clearance between live metal parts and grounded metal. Allow at least 1/2 inch for 100-400 amp circuits.

## CONNECTING CONTROL CIRCUIT WIRES

Control system interconnections between the load center ATS and the generator consist of Utility voltage sensing (wire nos. N1 and N2), Load Voltage (wire no. T1), and ATS operating control wires (nos. 23, 15B or 194 and 0). Connect wire nos. N1, N2 and T1 to the fuseholders at the top of the switch.

Control circuit wires must be run in a separate conduit.

All control wiring to be a minimum 300Vac rating and #14 AWG size. Type THHN wire is recommended.

Consult drawing no. 0H8633 at the back of this manual for further details.

## FUNCTIONAL TESTS AND ADJUSTMENTS

**Following transfer switch installation and interconnection, inspect the entire installation carefully. A competent, qualified electrician should inspect it. The installation should comply strictly with all applicable codes, standards, and regulations. When absolutely certain the installation is proper and correct, complete a functional test of the system.**

### ▲ CAUTION!

**! Perform functional tests in the exact order presented in this manual, or damage could be done to the switch.**

IMPORTANT: Before proceeding with functional tests, read and make sure all instructions and information in this section are understood. Also read the information and instructions of labels and decals affixed to the switch. Note any options or accessories that might be installed and review their operation.

## MANUAL OPERATION

This transfer switch is suitable for manual transfer under load providing the dead front cover is in place.

Manual operation must be checked BEFORE the transfer switch is operated electrically. To check manual operation, proceed as follows:

1. Turn the generator's AUTO/OFF/MANUAL switch to OFF.
2. Turn OFF both UTILITY (service disconnect breaker) and the main line circuit breaker on the generator.
3. Note position of the 2 switches below the transfer switch operator.
  - Utility supply switch (left side) ON and Generator supply switch (right side) OFF – LOAD terminals are connected to the Utility.
  - Utility supply switch (left side) OFF and Generator supply switch (right side) ON – LOAD terminals are connected to the Generator.

## CLOSE TO UTILITY SOURCE SIDE

Before proceeding, verify the position of the transfer mechanism by observing the position of 50A, 2-pole switches.

If the Utility Supply switch (left side) is ON, no further action is required.

If not, move the Utility Supply switch handle to the ON position. Note: the Generator Supply switch handle should move to the OFF position.

The customer load is now connected to the Utility supply.

## CLOSE TO GENERATOR SOURCE SIDE

Before proceeding, verify the position of the transfer mechanism by observing the position of 50A, 2-pole switches.

If the Generator Supply switch (right side) is ON, no further action is required.

If not, move the Generator Supply switch handle to the ON position. Note: the Utility Supply switch handle should move to the OFF position.

The customer load is now connected to the Generator supply.

## RETURN TO UTILITY SOURCE SIDE

Move the Utility Supply switch handle to the ON position. Note: the Generator Supply switch handle should move to the OFF position.

The customer load is now connected to the Utility supply.

## VOLTAGE CHECKS

1. Verify the UTILITY SWITCH is ON. If not, move the UTILITY SWITCH to the ON position.
2. Turn ON the UTILITY power supply to the transfer switch.

### ▲ DANGER!

**! PROCEED WITH CAUTION. THE TRANSFER SWITCH IS NOW ELECTRICALLY HOT. CONTACT WITH LIVE TERMINALS RESULTS IN EXTREMELY HAZARDOUS AND POSSIBLY FATAL ELECTRICAL SHOCK.**

3. With an accurate AC voltmeter, check for correct voltage. Measure across the fuseholders labeled N1 and N2. Also check the N1 and N2 fuseholders to NEUTRAL.
4. Measure the load voltage from T1 (fuseholder) to neutral. Voltage should be 115 - 125 VAC.
5. When certain that UTILITY supply and LOAD voltage is correct and compatible with transfer switch ratings, turn OFF the UTILITY supply to the transfer switch.
6. On the generator panel, set the AUTO/OFF/MANUAL switch to MANUAL position. The generator should crank and start.
7. Let the generator stabilize and warm up at no-load for at least five minutes.
8. Turn the GENERATOR SWITCH to the ON position.
9. Set the generator's main circuit breaker (CB1) to its ON or CLOSED position.

# Operation

## **⚠ DANGER!**

**⚠ PROCEED WITH CAUTION. GENERATOR OUTPUT VOLTAGE IS NOW BEING DELIVERED TO TRANSFER SWITCH TERMINALS. CONTACT WITH LIVE TERMINALS RESULTS IN EXTREMELY DANGEROUS AND POSSIBLY FATAL ELECTRICAL SHOCK.**

10. With an accurate AC voltmeter and frequency meter, check the no-load, voltage and frequency.  
Measure across GENERATOR SUPPLY SWITCH terminals. Also check each switch terminal to NEUTRAL.
  - a. Frequency .....60-62 Hertz
  - b. Generator Supply Switch Terminals ..... 240-246 VAC
  - c. Generator Supply Switch Terminals to Neutral ..... 120-123 VAC
11. Set the generator's main circuit breaker (CB1) to its OFF or OPEN position.
12. Set the AUTO/OFF/MANUAL switch to the OFF position to shut down the generator.

### **NOTE:**

**Do NOT proceed until generator AC output voltage and frequency are correct and within stated limits. If the no-load voltage is correct but no-load frequency is incorrect, the engine governed speed may require adjustment. If no-load frequency is correct but voltage is not, the voltage regulator may require adjustment.**

## **GENERATOR TESTS UNDER LOAD**

### **⚠ DANGER!**

**⚠ The load center dead front must be installed before proceeding with Generator Tests Under Load. This is necessary for proper operation of the mechanical interlock.**

1. Set the generator's main circuit breaker to its OFF or OPEN position.
2. To start the generator, set the AUTO/OFF/ MANUAL switch to MANUAL. When engine starts, let it stabilize for a few minutes.
3. Turn the GENERATOR SWITCH to the ON position.
4. Turn the generator's main circuit breaker to its ON or CLOSED position. The generator now powers all LOAD circuits. Check generator operation under load as follows:

- Turn ON electrical loads to the full rated wattage/ampere capacity of the generator. **DO NOT OVERLOAD.**
  - With maximum rated load applied, check voltage and frequency at a 120 VAC outlet. Voltage should be greater than 115 VAC and frequency should be greater than 59 Hertz.
  - Let the generator run under rated load for at least 30 minutes. With unit running, listen for unusual noises, vibration, overheating, etc., that might indicate a problem.
5. When checkout under load is complete, set main circuit breaker of the generator to its OFF or OPEN position.
  6. Let the generator run at no-load for several minutes. Then, shut down by setting the AUTO/OFF/MANUAL switch to its OFF position.
  7. Manually actuate the transfer mechanism back to the UTILITY position. Refer to the Manual Operation section.
  8. Turn on the utility power supply to transfer switch, using whatever means provided. The utility power source now powers the loads.
  9. Set the generator's AUTO/OFF/MANUAL switch to its AUTO position. The system is now set for fully automatic operation.

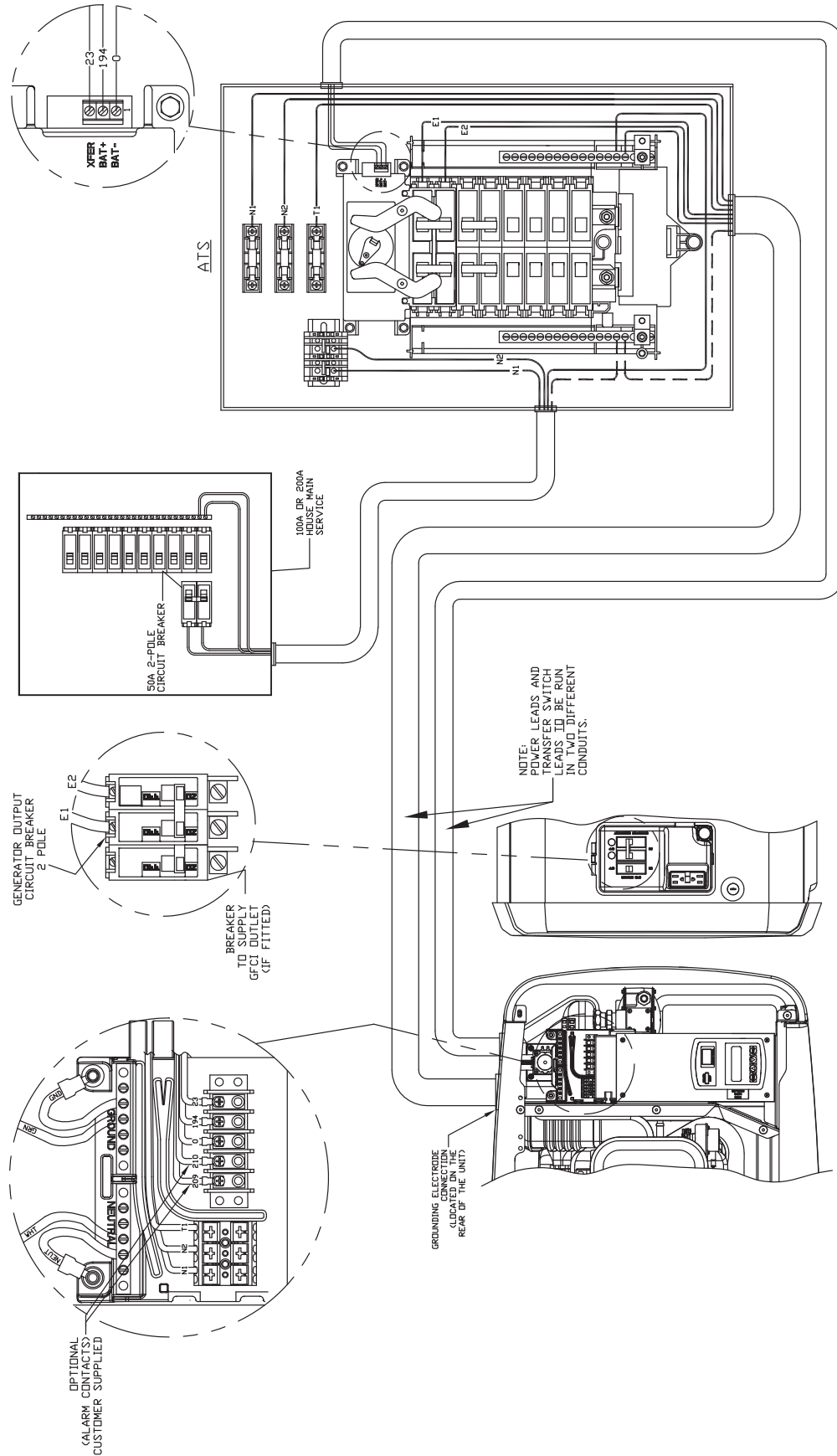
## **ELECTRICAL OPERATION**

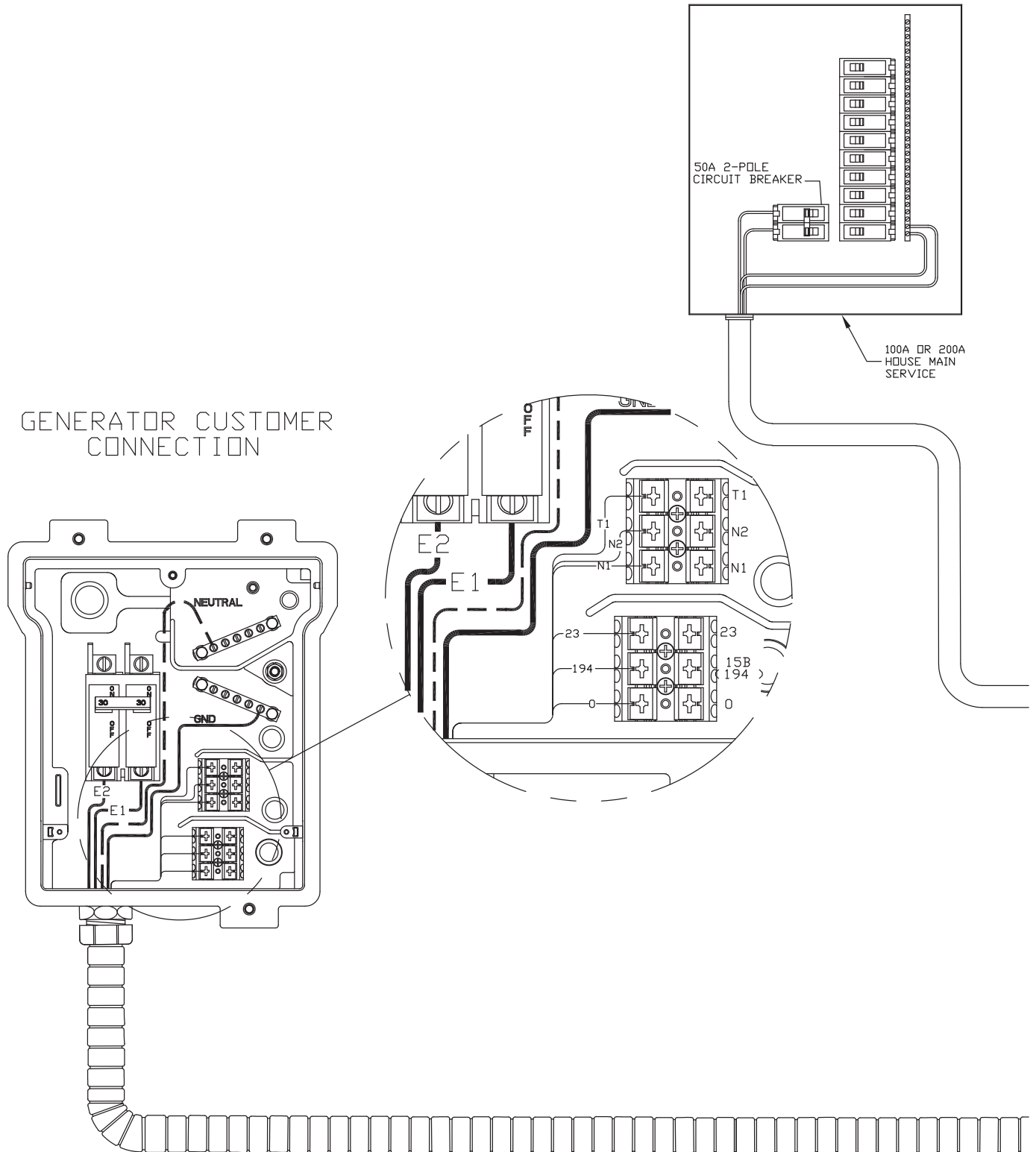
Test transfer mechanism electrical operation as follows:

1. Verify the Utility Supply to the transfer mechanism is turned ON.
2. Verify the transfer mechanism is in the Utility position. If not, refer to the Manual operation section and move it to the Utility position.
3. Refer to the appropriate owner's manual. Be sure the standby generator is prepared for automatic operation.
4. Turn the Utility Supply circuit breaker to the OFF position. Verify generator starts after the line interrupt delay and runs.
5. Verify the transfer mechanism rotates and turns the Utility switch to the OFF position and the Generator switch to the ON position.
6. Turn the Utility Supply circuit breaker to the ON position. After the Return to Utility time delay, verify the transfer mechanism rotates and turns the Generator switch to the OFF position and the Utility switch to the ON position. Generator will run during the Engine Cool down timer and turn OFF.

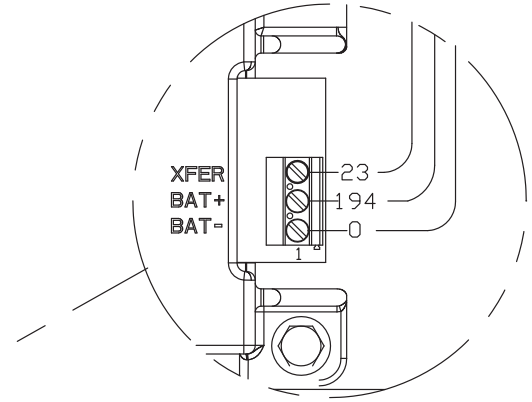
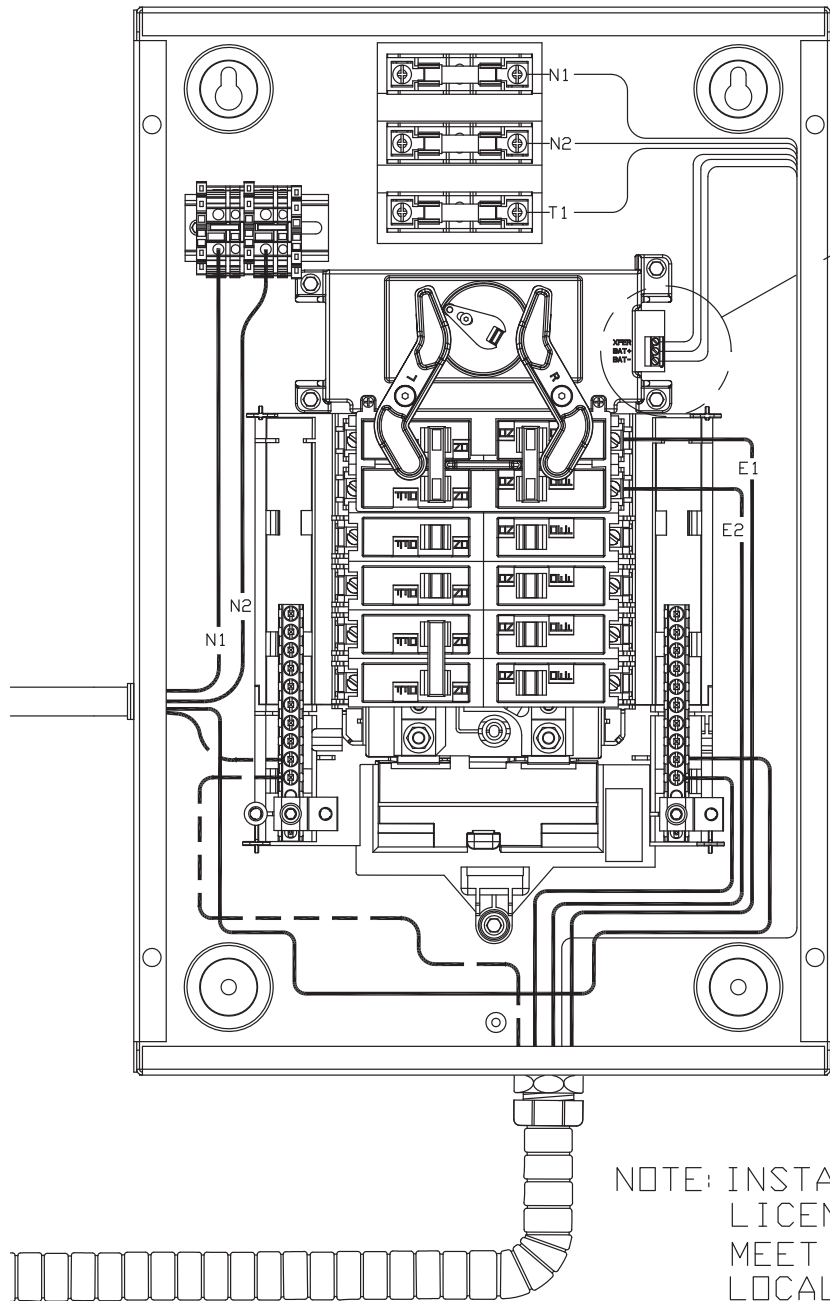
If the mechanism functioned as indicated above the system is operating properly and is ready for automatic operation.







8 CIRCUIT TRANSFER SWITCH



NOTE: INSTALLATION TO BE DONE BY A LICENSED ELECTRICIAN AND MUST MEET ALL NATIONAL, STATE AND LOCAL ELECTRICAL CODES.

# Warranty

## GENERAC POWER SYSTEMS "TWO YEAR" LIMITED WARRANTY FOR GENREADY LOAD CENTER AND TRANSFER SWITCH SYSTEMS

For a period of two (2) years from successful activation of the unit, Generac Power Systems, Inc. (Generac) warrants that its GenReady transfer switch system will be free from defects in material and workmanship for the items and period set forth below. Generac will, at its option, repair or replace any part(s) which, upon examination, inspection and testing by Generac or an Authorized/Certified Generac Service Dealer, is found to be defective. Any equipment that the purchaser/owner claims to be defective must be examined by the nearest Authorized/Certified Generac Service Dealer. This warranty applies only to Generac GenReady transfer switches used in "Standby" applications as Generac has defined Standby. Scheduled Maintenance, as outlined by the GenReady Transfer Switch Owner's Manual, is highly recommended. This Scheduled Maintenance should be performed by an Authorized/Certified Generac Service Dealer. This will verify service has been performed on the unit throughout the warranty period.

### WARRANTY SCHEDULE

#### APPLICABLE IN THE UNITED STATES ONLY

YEAR ONE – Limited comprehensive coverage on mileage, labor and parts listed.

- All COMPONENTS

YEAR TWO – Limited comprehensive coverage on parts listed

- ALL COMPONENTS

### GUIDELINES:

1. Warranty begins upon the successful activation of the unit.
2. Unit should be Registered and Proof of Purchase and Maintenance must be available.
3. Warranty is transferable between ownership of original installation site.
4. Warranty only applies to permanently wired and mounted units.
5. Any and all warranty repairs and/or concerns, must be performed and/or addressed by an Authorized/Certified Generac Service Dealer, or branch thereof. Repairs or diagnostics performed by individuals other than Authorized/Certified Generac Service Dealers not authorized in writing by Generac will not be covered.
6. Steel enclosures are warranted against rusting for the first year of ownership only. Damage caused after receipt is the responsibility of the owner and is not covered by this warranty. Nicks, scrapes, dents or scratches to the painted enclosure should be repaired promptly by the owner.
7. All warranty expense allowances are subject to the conditions defined in Generac's General Service Policy Manual.

### THIS WARRANTY SHALL NOT APPLY TO THE FOLLOWING:

1. Any unit built/manufacturer prior to February 2011.
2. GenReady transfer switches that utilize non-Generac replacement parts.
3. Costs of normal maintenance.
4. Units sold, rated or used for "Prime Power", "Trailer Mounted" or "Rental Unit" applications as Generac has defined Prime Power, Trailer Mounted or Rental Unit. Contact a Generac Distributor for Prime Power, Trailer Mounted or Rental Unit definition.
5. Damage to GenReady transfer switches caused by improper installation or costs necessary to correct installation.
6. Units used for Prime Power in place of existing utility power (where utility power is present) or in place of utility power where utility power service does not normally exist.
7. Steel enclosures that are rusting due to the improper installation, location in a harsh or saltwater environment or scratched where integrity of paint applied is compromised.
8. Failures due, but not limited, to normal wear and tear, accident, misuse, abuse, negligence or improper installation. This warranty will not cover repair when normal use has exhausted the life of a part.
9. Failures caused by any external cause or act of God, such as collision, theft, vandalism, riot or wars, nuclear holocaust, fire, freezing, lightning, earthquake, windstorm, hail, volcanic eruption, water or flood, tornado or hurricane.
10. Damage related to rodent and/or insect infestation.
11. Products that are modified or altered in a manner not authorized by Generac in writing.
12. Covered warranty labor rates are based on normal working hours. Overtime, holiday, or emergency labor costs for repairs outside of normal business hours will be the responsibility of the customer.
13. Any incidental, consequential or indirect damages caused by defects in materials or workmanship, or any delay in repair or replacement of the defective part(s).
14. Failure due to misapplication.
15. Telephone, cellular phone, facsimile, internet access or other communication expenses.
16. Living or travel expenses of person(s) performing service, except as specifically included within the terms of a specific unit warranty period.
17. Expenses related to "customer instruction" or troubleshooting where no manufacturing defect is found.
18. Rental equipment used while warranty repairs are being performed and/or overnight freight costs for replacement part(s).
19. Costs incurred for equipment used for removal and/or reinstallation of generator, (i.e.: cranes, hoists, lifts, etc.)
20. Planes, ferries, railroad, buses, helicopters, snowmobiles, snow-cats, off-road vehicles or any other mode of transport deemed abnormal.

THIS WARRANTY IS IN PLACE OF ALL OTHER WARRANTIES, EXPRESSED OR IMPLIED. SPECIFICALLY, GENERAC MAKES NO OTHER WARRANTIES AS TO THE MERCHANTABILITY OR FITNESS FOR A PARTICULAR PURPOSE. Any implied warranties which are allowed by law, shall be limited in duration to the terms of the express warranty provided herein. Some states do not allow limitations on how long an implied warranty lasts, so the above limitation may not apply to you. GENERAC'S ONLY LIABILITY SHALL BE THE REPAIR OR REPLACEMENT OF PART(S) AS STATED ABOVE. IN NO EVENT SHALL GENERAC BE LIABLE FOR ANY INCIDENTAL OR CONSEQUENTIAL DAMAGES, EVEN IF SUCH DAMAGES ARE A DIRECT RESULT OF GENERAC'S NEGLIGENCE. Some states do not allow the exclusion or limitation of incidental or consequential damages, so the above limitation may not apply to you. This warranty gives you specific legal rights. You may also have other rights that vary from state to state.

GENERAC POWER SYSTEMS, INC. • P.O. BOX 8 • Waukesha, WI 53187 • Ph: (888) GENERAC (436-3722) • Fax: (262) 544-4851

To locate the nearest Authorized Dealer and to download schematics, exploded parts views and parts lists visit our website: [www.generac.com](http://www.generac.com)