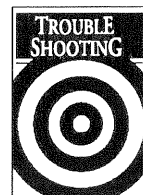
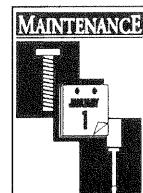
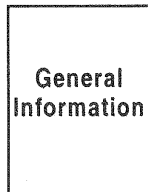
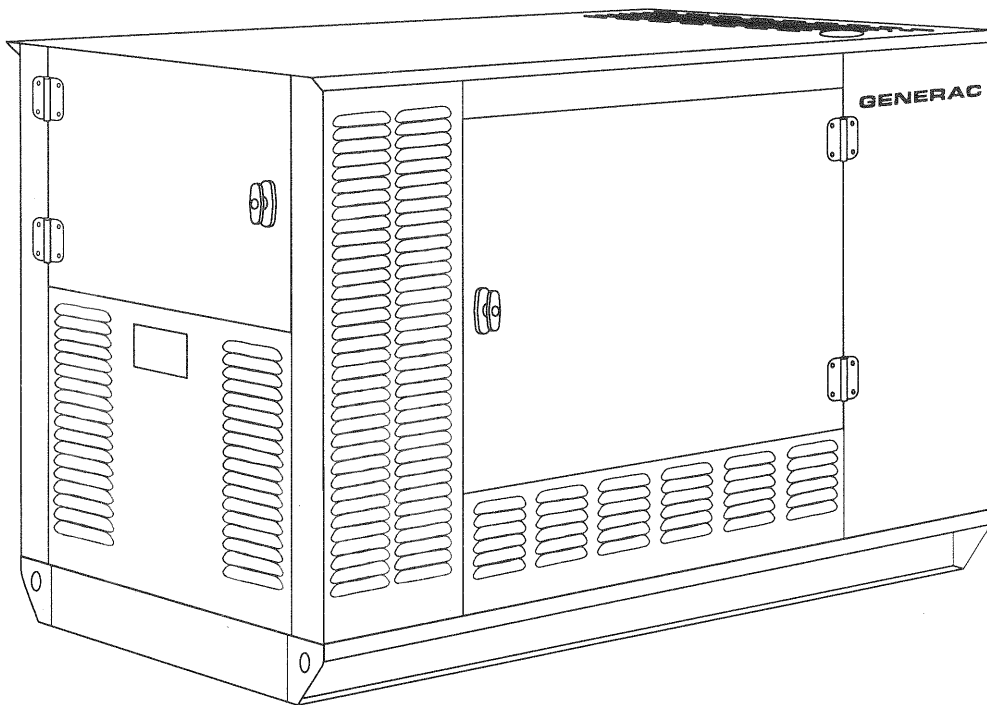


Generac Sound Attenuated Emergency Power Systems **OWNER'S MANUAL**



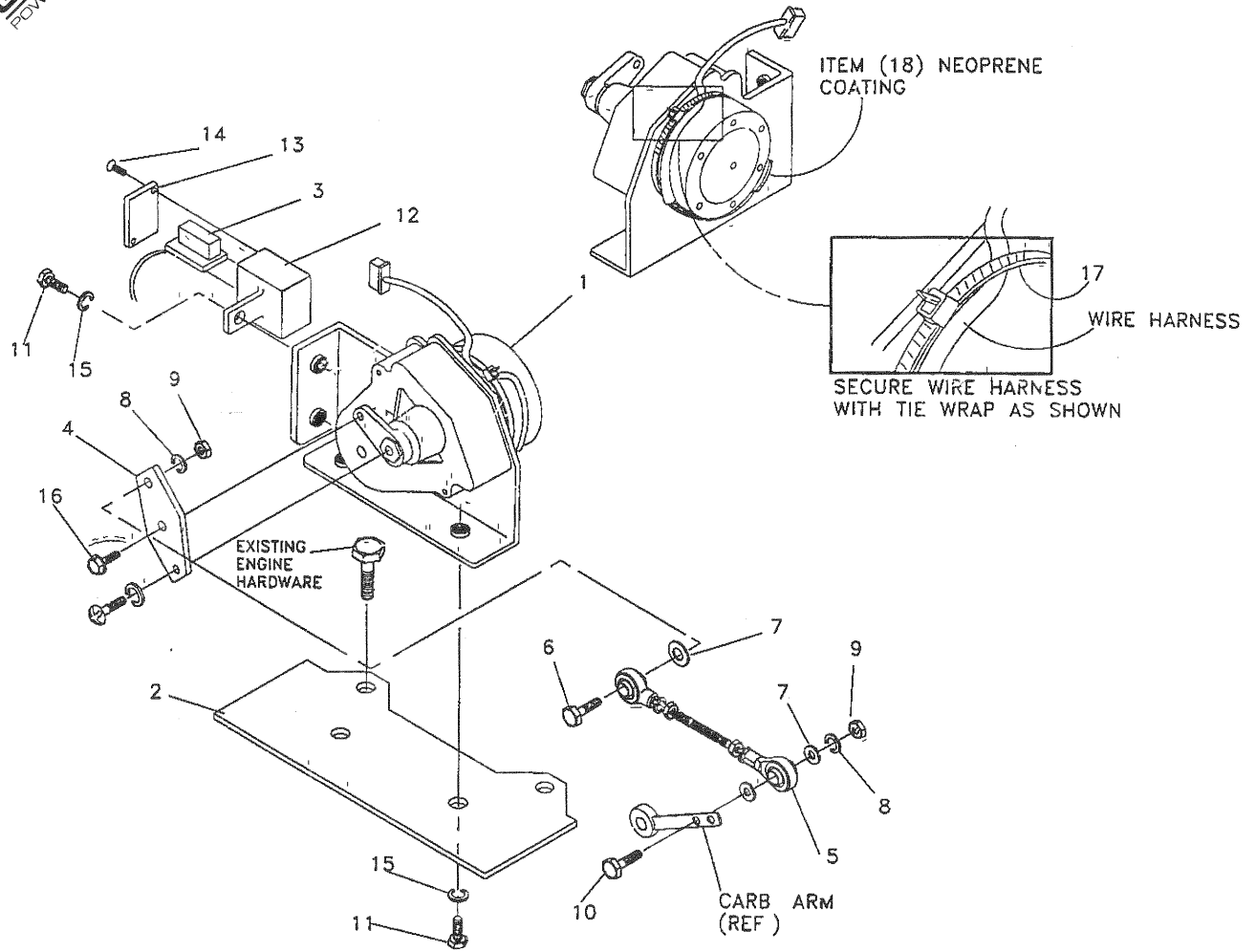
GENERAC[®]
POWER SYSTEMS, INC.

Model Nos. 0972-0, 0973-0, 0974-0, 0975-0, 0976-0, 0977-0, 0978-0, 0979-0



THIS SYMBOL POINTS OUT IMPORTANT SAFETY INSTRUCTIONS, WHICH, IF NOT FOLLOWED, COULD ENDANGER THE PERSONAL SAFETY AND/OR PROPERTY OF YOURSELF AND OTHERS. READ AND FOLLOW ALL INSTRUCTIONS IN THE MANUAL BEFORE ATTEMPTING TO OPERATE THIS UNIT.

EXPLODED VIEW — ELECTRONIC GOVERNOR

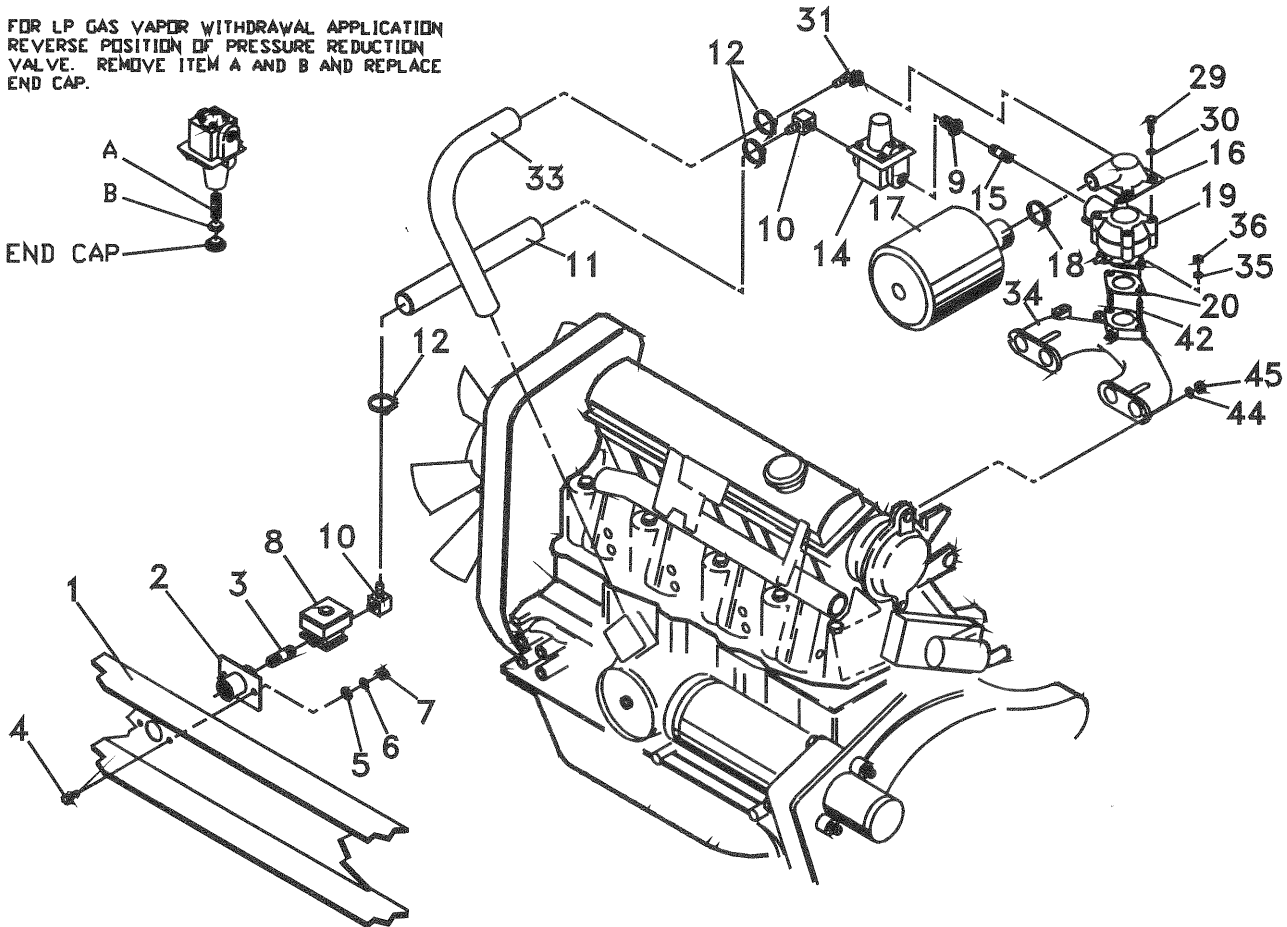


ITEM	DESCRIPTION	PART NO.	QTY.
1	Stepper Motor Assembly	98290	1
2	Motor Mount Bracket	98276	1
3	Connector Interface Assembly	98958A	1
4	Stepper Motor Lever	98783	1
5	Linkage Assembly Carb.	98275	1
6	#10-32 x 5/8 Machine Screw	33530	1
7	#10 Flat Washer	23897	3
8	#10 Lock Washer	22152	2
9	#10-32 Hex Nut	22158	2
10	#10-32 x 1 Machine Screw	36937	1
11	M6-1.0 x 10 Machine Screw	43146	3
12	Connector Interface Housing	98941A	1
13	Interface Housing Cover	98942A	1
14	#2 x 5/8 Self Tapping Machine Screw	98225	2
15	M6 Lock Washer	22097	3
16	#6-32 x 3/8 Self Tapping Machine Screw	64526	1
17	7" Black Tie Wrap	29333A	1
18	Neoprene Coating	74031	—

EXPLODED VIEW — NATURAL GAS FUEL SYSTEM

Drawing No. A3022

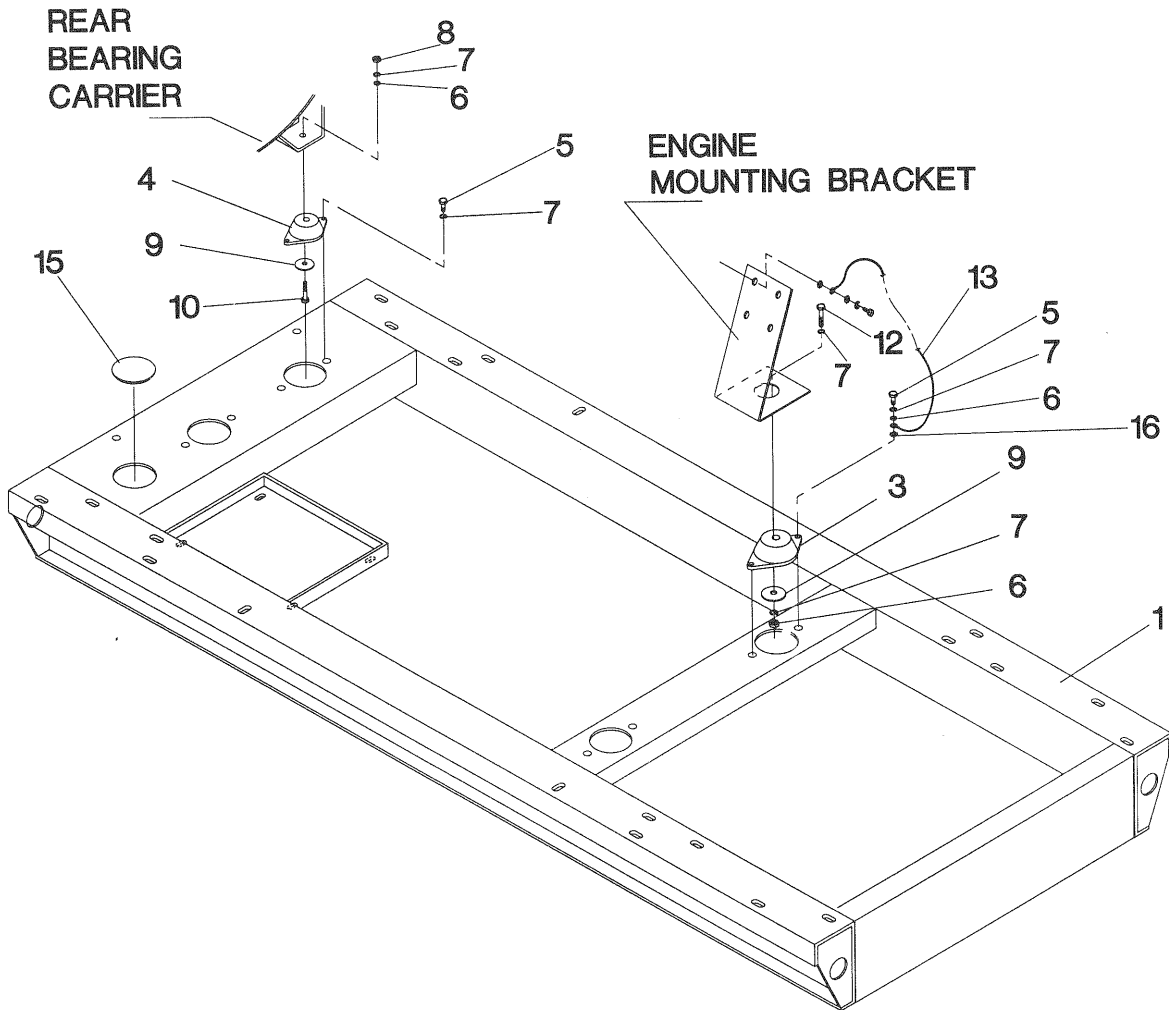
FOR LP GAS VAPOR WITHDRAWAL APPLICATION
REVERSE POSITION OF PRESSURE REDUCTION
VALVE. REMOVE ITEM A AND B AND REPLACE
END CAP.



ITEM	PART NO.	QTY.	DESCRIPTION
1	A1094	1	BASE, MOUNTING
2	75580	1	FLANGE, FUEL INLET
3	26915	1	NIPPLE, 3/4" NPT
4	39253	2	CAPSC., HEX HD.-M8-1.25x 20MM
5	22145	2	WASHER, FLAT-M8
6	22129	2	WASHER, LOCK-M8
7	45771	2	NUT, HEX M8-1.25
8	A2666	1	SOLENOID, VALVE
9	61909	1	BUSHING, RED 1" - 3/8"
10	59412	2	FITTING, BARBED 90 DEG. 3/4" NPT x 5/8"
11	59194	36"	HOSE, 5/8" I.D. x 36" LONG
12	57823	2	CLAMP, HOSE #10
13	26577	1	RED BUSHING 1"-3/4
14	51109	1	VALVE, PRESSURE
15	35467	1	NIPPLE, PIPE 3/8" NPT x 1" CLOSE
16	98658	1	ADAPTOR, AIR CLEANER
17	73912	1	CLEANER, AIR

ITEM	PART NO.	QTY.	DESCRIPTION
18	35685	1	CLAMP, HOSE
19	59403	1	CARBURETOR
20	59401	1	GASKET, CARBURETOR
21	45757	1	M6 x 25 HHCS
29	76011	4	PHILLIPS RD. HD. MACH. SCR. #10-24 x 1/2"
30	22152	4	WASHER, LOCK-#10
31	98704	1	FITTING, BARBED 90° 3/4 x 1/2 NPT
33	50968	26"	HOSE
34	21567	1	INTAKE MANIFOLD
35	22129	1	5/16 LOCK WASHER
36	22259	1	5/16 HEX NUT
41	40841	1	BUSHING, 3/4-1/2"
42	A6125	2	STUD 5/16-18 x 1-1/4 LONG
43	35473	2	HOSE CLAMP-#12
44	22129	4	M8 LOCK WASHER
45	45771	4	M8 HEX NUT

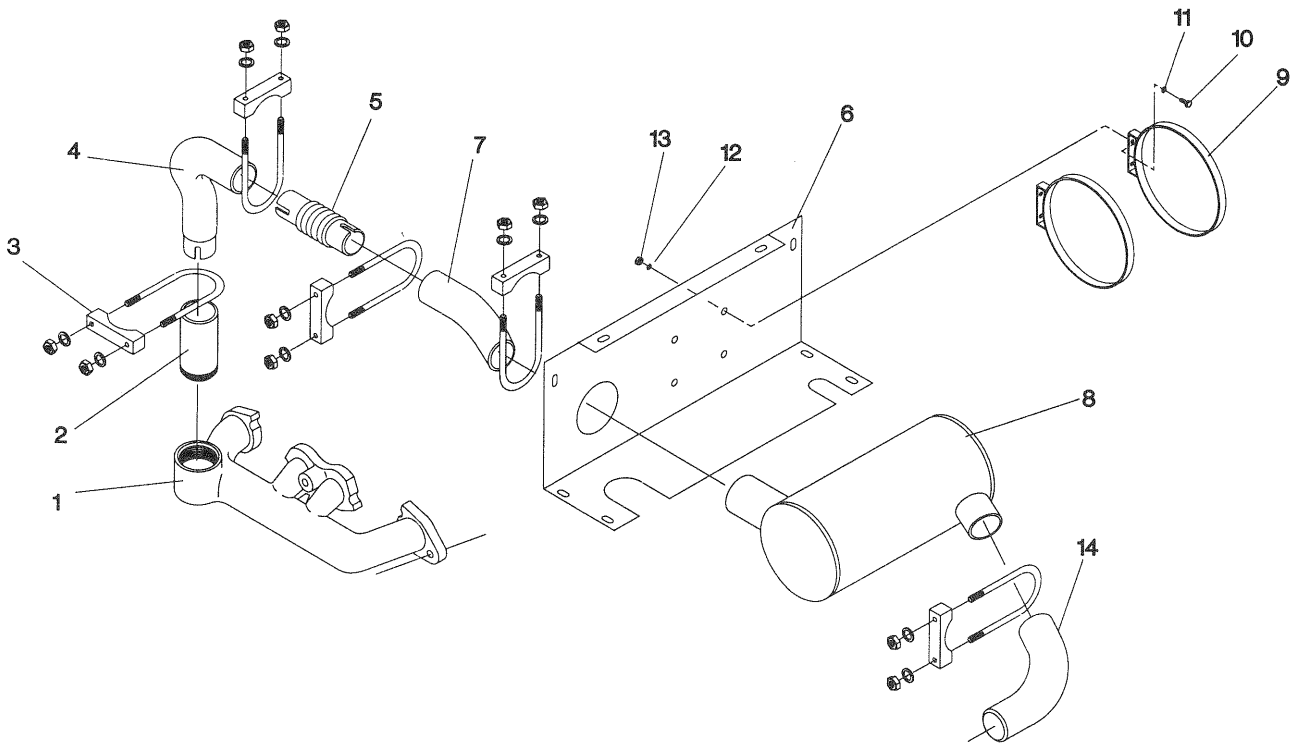
EXPLODED VIEW — MOUNTING BASE



ITEM	PART NO.	QTY.	DESCRIPTION
1	A4954	1	BASE, MOUNTING
3	70936	2	ISOLATOR - VIBRATION
4	70936C	2	ISOLATOR - VIBRATION
5	39253	8	CAPSCREW, HEX HD. - M8-1.25 X 20MM
6	22145	12	FLAT WASHER - M8
7	22129	12	LOCK WASHER - M8
8	45771	12	NUT - HEX - M8-1.25
9	71956	4	WASHER, VIBRATION ISOLATOR
10	51730	2	CAPSCREW, HEX HD. - M8-1.25 X 60MM
12	57821	2	CAPSCREW, HEX HD. - M8-1.25 X 40MM
13	21991	1	STRAP, GROUNDING
14	27482	1	WASHER, STAR - 5/16
15	A2308	1	PLUG - BUTTON

EXPLODED VIEW — MUFFLER

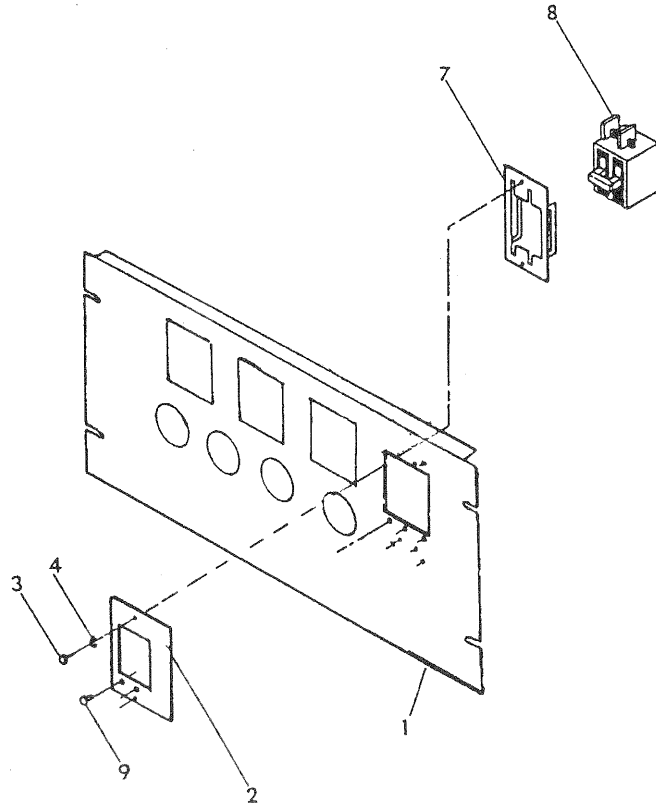
Drawing No. A6155



ITEM	PART NO.	QTY.	DESCRIPTION
1	21720	1	EXHAUSE MANIFOLD
2	92077	1	TOE NPL 1-1/2" X 4.00"
3	36434	5	U-BOLT 2" 5/16-18
	36449	5	SADDLE 2" 2.22
4	A5524	1	PIPE, EXHAUST 2" O.D.
5	A5215A	1	FLEX PIPE 2" I.D.
6	A6139	1	PANEL, RADIATOR
7	A5741	1	PIPE, EXHAUST 2" O.D.
8	A5728	1	EXHAUST MUFFLER
9	60366	2	6" MUFFLER CLAMP
10	66889	4	M8-1.25 X 20MM HHCS
11	22145	4	FLAT WASHER, M8
12	22129	4	LOCK WASHER, M8
13	45771	4	HEX NUT M8-1.25
14	A5976	1	PIPE EXHAUST

EXPLODED VIEW — CIRCUIT BREAKER

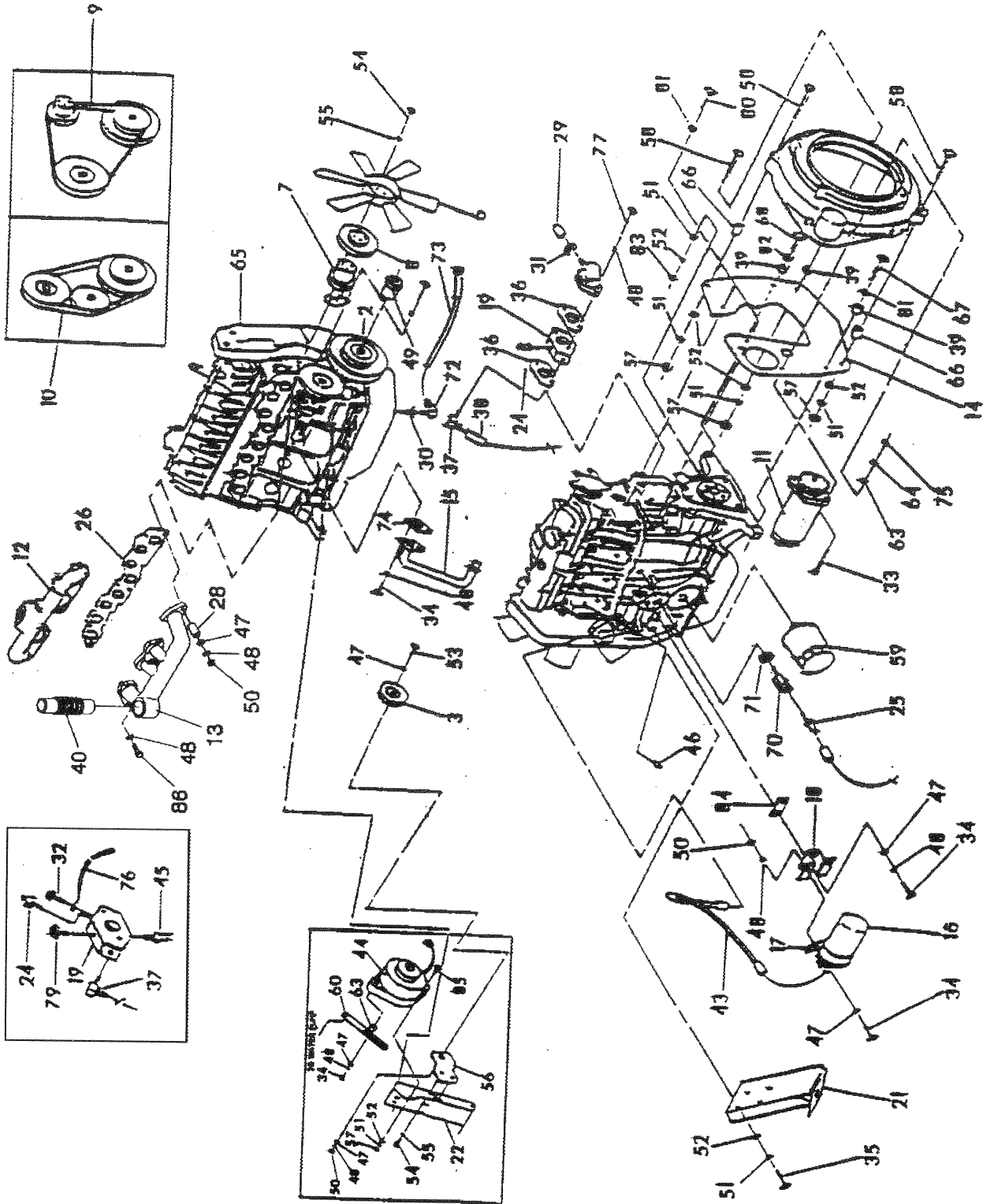
Drawing No. A3371



ITEM	PART NO.	QTY.	DESCRIPTION	ITEM	PART NO.	QTY.	DESCRIPTION
1	A2103	1	PANEL, CONTROL-"A"	77906	1	CIR. BREAKER 35A 2P BQ2	
	A2104	1	PANEL, CONTROL-"B"	43240	1	CIR. BREAKER 40A 2P BQ2	
	A2105	1	PANEL, CONTROL-"C"	57905	1	CIR. BREAKER 45A 2P BQ2	
	A2106	1	PANEL, CONTROL-PRE-PACK	39765	1	CIR. BREAKER 50A 2P BQ2	
2*	A2052	1	COVER, CIR. BREAKER	48373	1	CIR. BREAKER 70A 2P BQ2	
3	33130	-	HEX HEAD MACH.-SCREW #8-32 x 1/4" LONG	63452	1	CIR. BREAKER 80A 2P BQ2	
4	22264	-	WASHER, LOCK #8	39766	1	CIR. BREAKER 90A 2P BQ2	
5	39783	1	BRACKET, CIR. BREAKER MTG. BQ3	48374	1	CIR. BREAKER 100A 2P BQ2	
6	80522	1	CIR. BREAKER 20A 3P BQ3	A2077	1	CIR. BREAKER 125A 2P BQ3	
	47585	1	CIR. BREAKER 30A 3P BQ3	9	56967	3	PLUG, PLASTIC-.37 DIA.
	57906	1	CIR. BREAKER 35A 3P BQ3	10	53640	4	SCREW, RD. HD. MACH. #8-32 x 3-1/4" LONG
	56783	1	CIR. BREAKER 40A 3P BQ3	11	38150	4	WASHER, FLAT-#8
	49942	1	CIR. BREAKER 50A 3P BQ3	12	22471	4	NUT, HEX-#8-32
	40533	1	CIR. BREAKER 60A 3P BQ3	13+	A2670	1	COVER, CIR. BREAKER
	49135	1	CIR. BREAKER 70A 3P BQ3	14	A2820	1	MCB 16AMP. 3-POLE 480V BTR
	62812	1	CIR. BREAKER 80A 3P BQ3		A2821	1	MCB 25AMP. 3-POLE 480V BTR
	53691	1	CIR. BREAKER 90A 3P BQ3		A2822	1	MCB 32AMP. 3-POLE 480V BTR
	40532	1	CIR. BREAKER 100A 3P BQ3		A2828	1	MCB 40AMP. 3-POLE 480V BTR
7	39782	1	BRACKET, C/B MTG. BQ2				+USE WITH ITEM 14 ONLY
8	76640	1	CIR. BREAKER 20A 2P BQ2				*USE WITH ITEMS 8 ONLY
	57903	1	CIR. BREAKER 25A 2P BQ2				
	57472	1	CIR. BREAKER 30A 2P BQ2				

EXPLODED VIEW — ENGINE PARTS

Drawing No. A5094



REPAIR PARTS — ENGINE PARTS

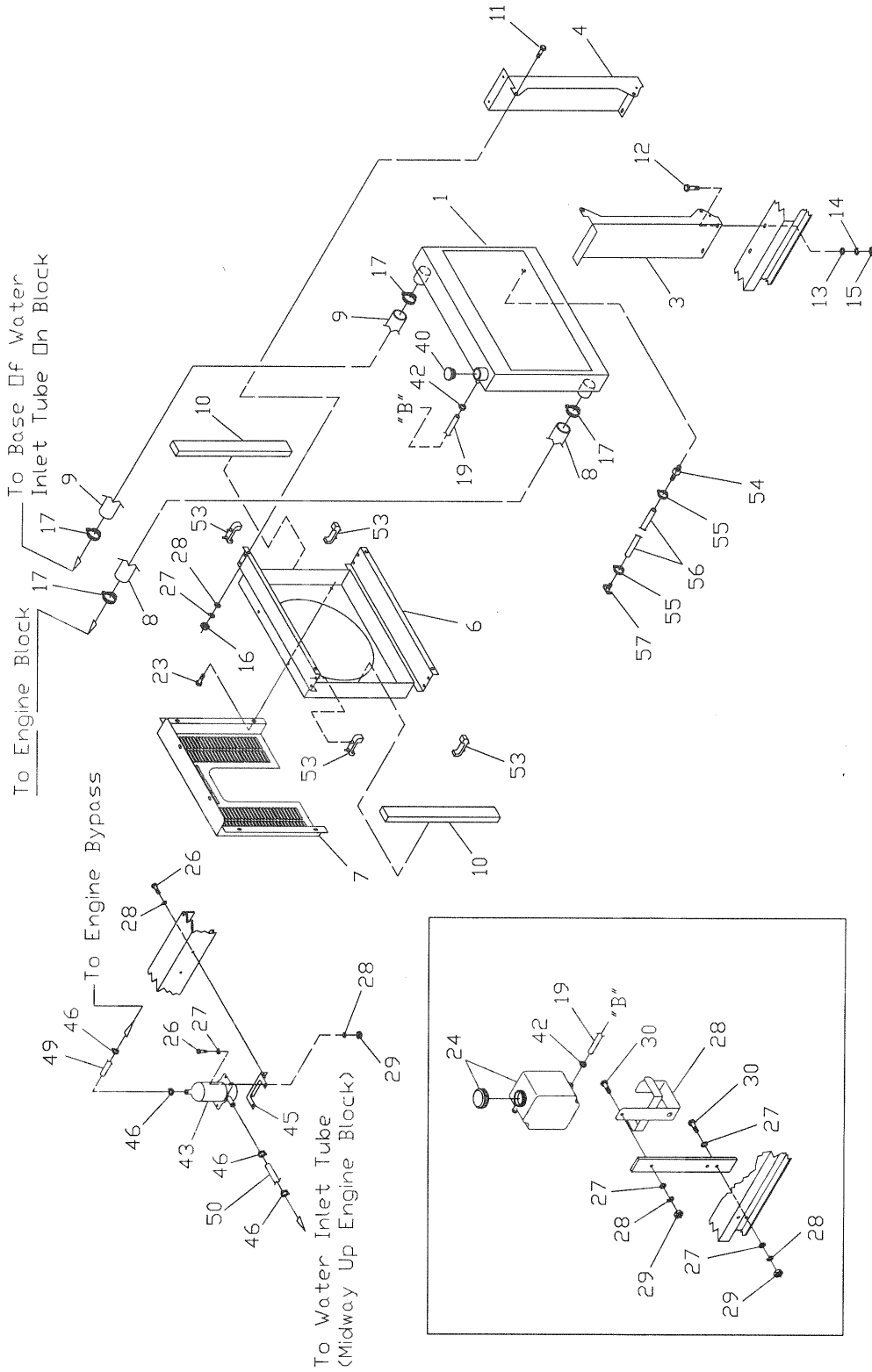
Drawing No. A5094

ITEM	PART NO.	QTY.	DESCRIPTION	ITEM	PART NO.	QTY.	DESCRIPTION
2	A2546	1	CRANK PULLEY (1800)	45#	53667	1	TEMPERATURE SENSOR
	A2547	1	CRANK PULLEY (3600)	46	99020	1	SHCS M10-1.25 x 10
3	A2879	1	IDLER PULLEY	47	22145	10	FLAT WASHER-M8
6	75613	1	FAN	48	22129	12	LOCK WASHER-M8
7	97408	1	FAN ASSEM.	49	A2542	1	CRANKSHAFT NUT
8	52230	1	1800 FAN PULLEY	50	45771	5	HEX NUT-M8-1.25
	A2628	1	3600 FAN PULLEY	51	46526	10	LOCK WASHER-M10
9	A5275	1	BELT, FAN(3600)	52	49809	10	FLAT WASHER-M10
	A5266	1	BELT, FAN(1800)	53	52203	1	HHCS-M8-1.25 x 70
10	A3924	1	BELT, WATER PUMP	54	42568	8	HHCS-M6-1.00 x 20
11	20692	1	STARTER	55	70005	8	LOCK WASHER-M6
12	21567	1	INTAKE MANIFOLD	56	A1660	1	IDLER BRACKET
13	21720	1	EXHAUST MANIFOLD	57	45772	6	HEX NUT-M10-1.50
14	21121	1	ENGINE PLATE	58	51735	2	HHCS-M10-1.5 x 70
15	98070	1	WATER INLET TUBE	59	99021	1	FILTER-OIL
16	72557	1	COIL, IGNITION	60	A2611	1	BRACKET, TENSIONER
17	74816	1	IGNITION COIL BRACKET	63	59526	1	TENSIONER, SPACER
18	97632	1	COIL COVER BRACKET	65	97390	1	ENGINE-1.6L
19	20871	1	THERMOSTAT SPACER	66	70901	2	DOWEL SLEEVE
21	A1108	1	MOTOR MOUNT LEFT	67	75672	1	HHCS M12-1.25 x 40
22	A1109	1	MOTOR MOUNT RIGHT	68	81816	1	HHCS M12-1.75 x 55
24	57522	1	LOW LEVEL SENSOR	69	56768	1	HHCS M10-1.50 x 90
25	60108	1	SWITCH, OIL PRESSURE	70	75797	1	ADAPTOR
26	97402	2	INTAKE\EXHAUST GASKET	71	A1371	1	WASHER-BRASS
28	22625B	2	EXHAUST SPACER	72	43790	1	3/8 BARBED ELBOW
29	77996	1	BY PASS CAP	73	69860C	1	OIL DRAIN HOSE ASSY.
30	55809	1	OIL DRAIN ADAPTOR	74	99478	1	GASKET-WATER TUBE
31	35473	4	HOSE CLAMP #12	75	22259	2	HEX NUT-5/16-18
32	46852	1	TAPTITE 10-32 X 1/4	76	97308	1	WIRE-THERMOSTAT GROUND
33	99379	2	SHCS 5/16-18 x 3" LONG	77	52265	2	HHCS M8-1.25 x 65
34	39414	6	HHCS M8-1.25 x 35	79	26925	1	PIPE PLUG-3/8 NPT
35	52213	7	HHCS M10-1.25 x 20	80	68485	2	HHCS M12-1.25 x 20
36	98907	2	THERMOSTAT GASKET	81	51769	4	LOCK WASHER-M12
37	34339	1	BARBED FITTING	82	49808	2	FLAT WASHER-M12
			3/8 NPT ELBOW	83	45773	1	HEX NUT-M12-1.75
38	50967	3FT.	HEATER HOSE-5/8"	84	99512	1	COIL COVER GASKET
39	A1646	2	ENGINE PLATE SPACER	85	57642	1	HEX HD. CAPSCR.
40	75546B	1	FLEX EXHAUST				M10-1.5 x 40
	75546C	1	FLEX EXHAUST ESP 25KW	86	49821	1	SHCS, M8-1.25 x 30
43	98852	1	IGNITION COIL WIRE				
44	A1354B	1	ALTERNATOR				

PANEL B & C OPTIONS ONLY

EXPLODED VIEW — RADIATOR

Drawing No. A5720



REPAIR PARTS — RADIATOR

Drawing No. A5720

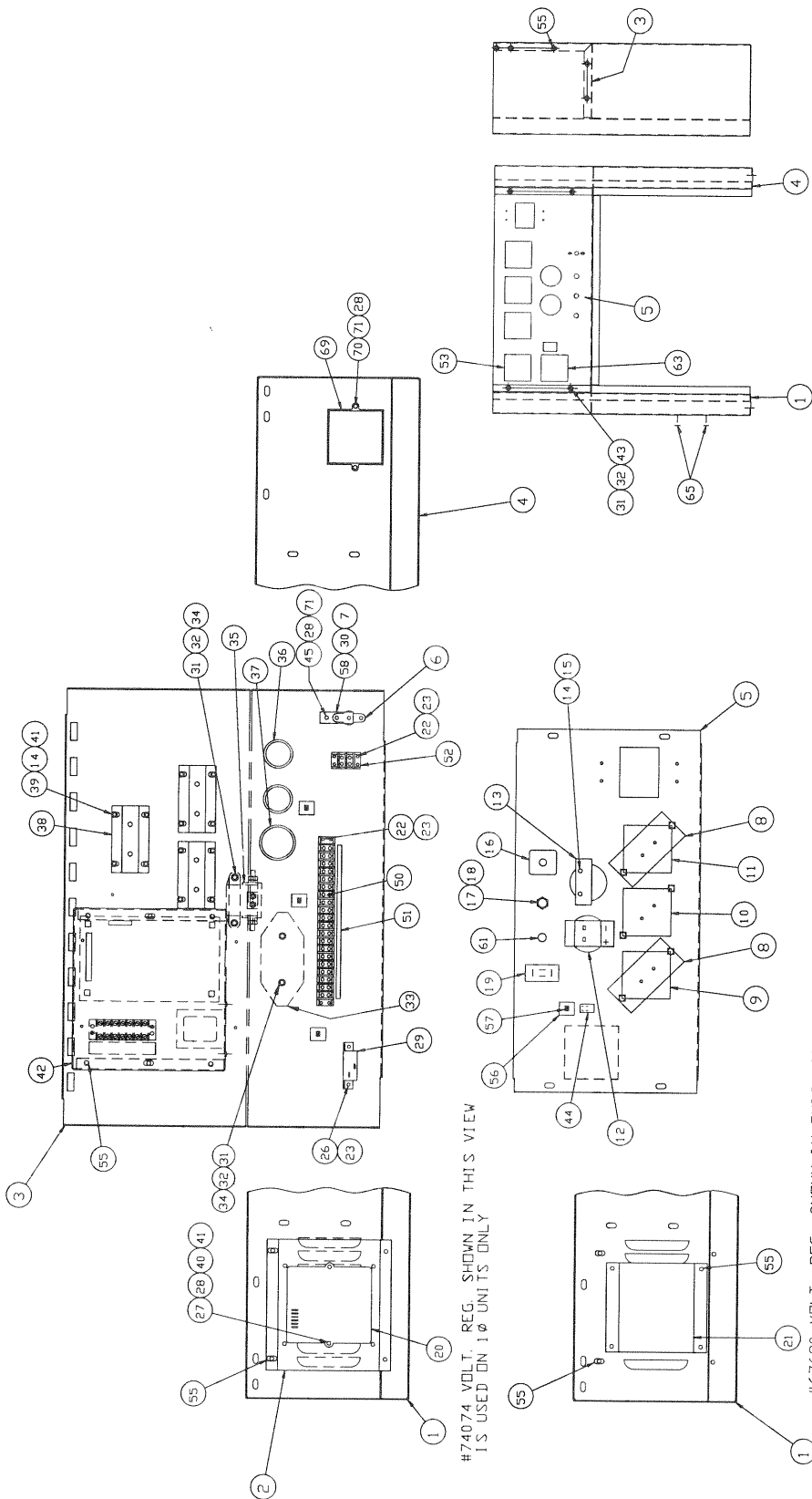
ITEM	PART NO.	QTY.	DESCRIPTION
1	97372C	1	RADIATOR
2	A4954	1	BASE, MOUNTING
3	A4833	1	SUPPORT, RADIATOR - R.H.
4	A4834	1	SUPPORT, RADIATOR - L.H.
6	97469C	1	VENTURI
7	97522C	1	GUARD, FAN
8	97377C	1	HOSE, UPPER
9	97378C	1	HOSE, LOWER
10	52250	8'	TAPE, FOAM 1" SQUARE
11	24334	4	CARRIAGE BOLT, 1/4-20 X 1"
12	42907	4	CAPSCREW, HEX HEAD - M8-1.25 X 16
13	22145	8	WASHER, FLAT - M8
14	22129	4	WASHER, LOCK - M8
15	45771	4	NUT, HEX - M8-1.25
16	22127	4	HEX NUT, 1/4-20
17	99502	4	CLAMP, HOSE - #24
19	29032	1	HOSE - 5/16 X 72" LONG
23	75443	6	CRIMPTITE - 1/4 X 20-5/8"
24	76749	1	BOTTLE, COOLANT RECOVERY
25	80712	1	BRACKET, BOTTLE
26	42568	4	CAPSCREW, HEX HEAD - M6-1.00 X 20MM
27	22473	12	WASHER, FLAT - M6
28	22097	12	WASHER, LOCK - M6
29	49813	6	NUT, HEX - M6-1.0
30	47411	1	CAPSCREW, HEX HEAD - M6-1.00 X 16MM
40	46627	1	RADIATOR, CAP
42	83709	2	SPRING CLAMP, HOSE - #9
43	84918	1	ENGINE HEATER - 500W
45	84427	1	BRACKET, ENGINE HEATER
46	57823	4	CLAMP, HOSE - #10
49	50967	18"	HOSE, 5/8" I.D.
50	50967	24"	HOSE, 5/8" I.D.
53	21976	4	RADIATOR SADDLE
54	35461	1	BARBED, ST. - 1/4 X 3/8"
55	40173	2	HOSE CLAMP - #5
56	47290	20"	HOSE - 3.8" I.D.
57	36965	1	DRAIN COCK

* NON COMPARTMENT UNITS ONLY.

** OPTIONAL PARTS - NOT ON ALL UNITS.

EXPLODED VIEW — CONTROL PANEL

Drawing No. A7799



#74074 VOLT. REG. SHOWN IN THIS VIEW
IS USED ON 1Ø UNITS ONLY

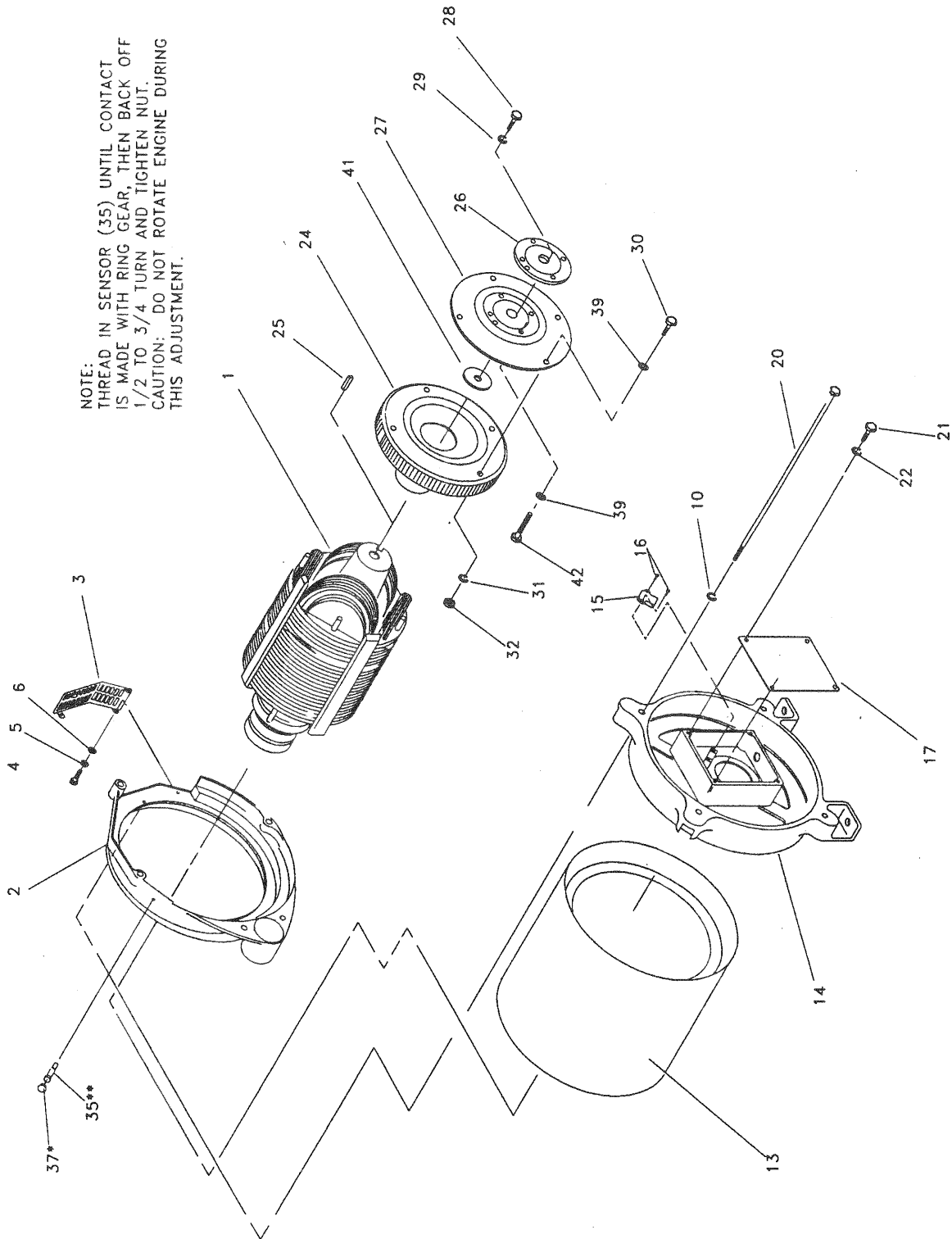
#67680 VOLT. REG. SHOWN IN THIS VIEW
IS USED ON 3Ø UNITS ONLY

ITEM	PART NO.	QTY.	DESCRIPTION	ITEM	PART NO.	QTY.	DESCRIPTION
1	A4827	1	SUPPORT, CONTROL PANEL	32	22473	8	WASHER, FLAT M6
2	A7686	**	BRACKET, VOLTAGE REGULATOR	33	A1354A	1	DC VOLTAGE REGULATOR
3	A1775	1	PANEL, CONTROL BOTTOM & BACK	34	43116	4	HHCS M6-1.0 x 12MM
4	A4828	1	SUPPORT, CONTROL PANEL	35	56739	1	SOLENOID (SILVER)
5	A2106	1	PANEL, CONTROL "P" OPTION	36	72252	2	GROMMET
6	57073	1	BLOCK, JUNCTION	37	63212	1	GROMMET
7	22241	1	HEX NUT 3/8"-16	38	-	-	TRANSFORMER, CURRENT
8	70080	2	INSULATION	39	33121	**	HEX HD. MACH. SCR. 10-32 x 1/2"
9	70043	1	VOLTMETER, AC	40	49226	**	WASHER, FLAT M8
10	70055	1	AMMETER, AC	41	23897	6	WASHER, FLAT M5
11	70042	1	METER, FREQUENCY (HERTZ)	42	75595	1	CMA BOX
12	70081	1	HOURLMETER	43	77438	4	SCREW, PHM M6 x 1.0 x 12MM
13	76037	1	VOLTMETER, DC	44	82573	1	ROCKER SWITCH
14	22152	**	WASHER, LOCK #10	45	55440	1	HHCS M5-0.8 x 25MM
15	22158	**	NUT, HEX #10-32	50	57335	1	TERMINAL STRIP
16	61945	1	SWITCH, VOLTAGE SELECTOR	51	A7230	1	DECAL, TERMINAL STRIP
17	32300	1	HOLDER, FUSE	52	48766	1	BLOCK, TERMINAL STRIP
18	22668	1	FUSE, 30 AMP.	53	58589	1	DECAL, ENGINE WARNING
19	76020	1	SWITCH, AUTO/OFF/MANUAL	55	A7215	18	SWAGEFORM W / WASHER 1/4"-20 x 5/8" LONG
20	74074	**	REGULATOR, VOLT. ASSEM. 1 DIA.				
21	67680	**	REGULATOR, VOLTAGE 3 DIA.	56	57593	4	MOUNT, CABLE TIE
22	75476	6	SCREW, PPHM-M4-0.7 x 16MM	57	28739	4	WRAP, TIE-4" LONG
23	22264	10	WASHER, LOCK M4	58	61979	1	BUS, BAR
24	C2212	6	M4-.7 x 16 SWAGEFORM PPH	59*	A2833	1	HARNESS, CONTROL PANEL 1 DIA.
26	C2428	2	6-32 x 5/8" SWAGEFORM PPH	60*	A2833A	1	HARNESS, CONTROL PANEL 3 DIA.
27	75476	**	SCREW, PPHM-M5-0.8 x 40MM	61	64009	1	LAMP, FAULT INDICATOR
28	51756	**	NUT, HEX M5- 0.8	63	81988	1	DECAL, SET EXERCISE TIME
29	48476	1	C/B 4.5A. 1 DIA. MODELS ONLY	65	86381	2	CAPLUG, BPF-1/4"
	54450	1	C/B 5.5A. 3 DIA. MODELS ONLY	67	36903	2	SCREW, PPHM 6-32
30	22237	1	LOCKWASHER 3/8"	68	22155	2	WASHER, LOCK M6
31	22097	8	WASHER, LOCK M6				

EXPLODED VIEW — GENERATOR

Drawing No. A2114

NOTE:
THREAD IN SENSOR (35) UNTIL CONTACT
IS MADE WITH RING GEAR, THEN BACK OFF
1/2 TO 3/4 TURN AND TIGHTEN NUT.
CAUTION: DO NOT ROTATE ENGINE DURING
THIS ADJUSTMENT.

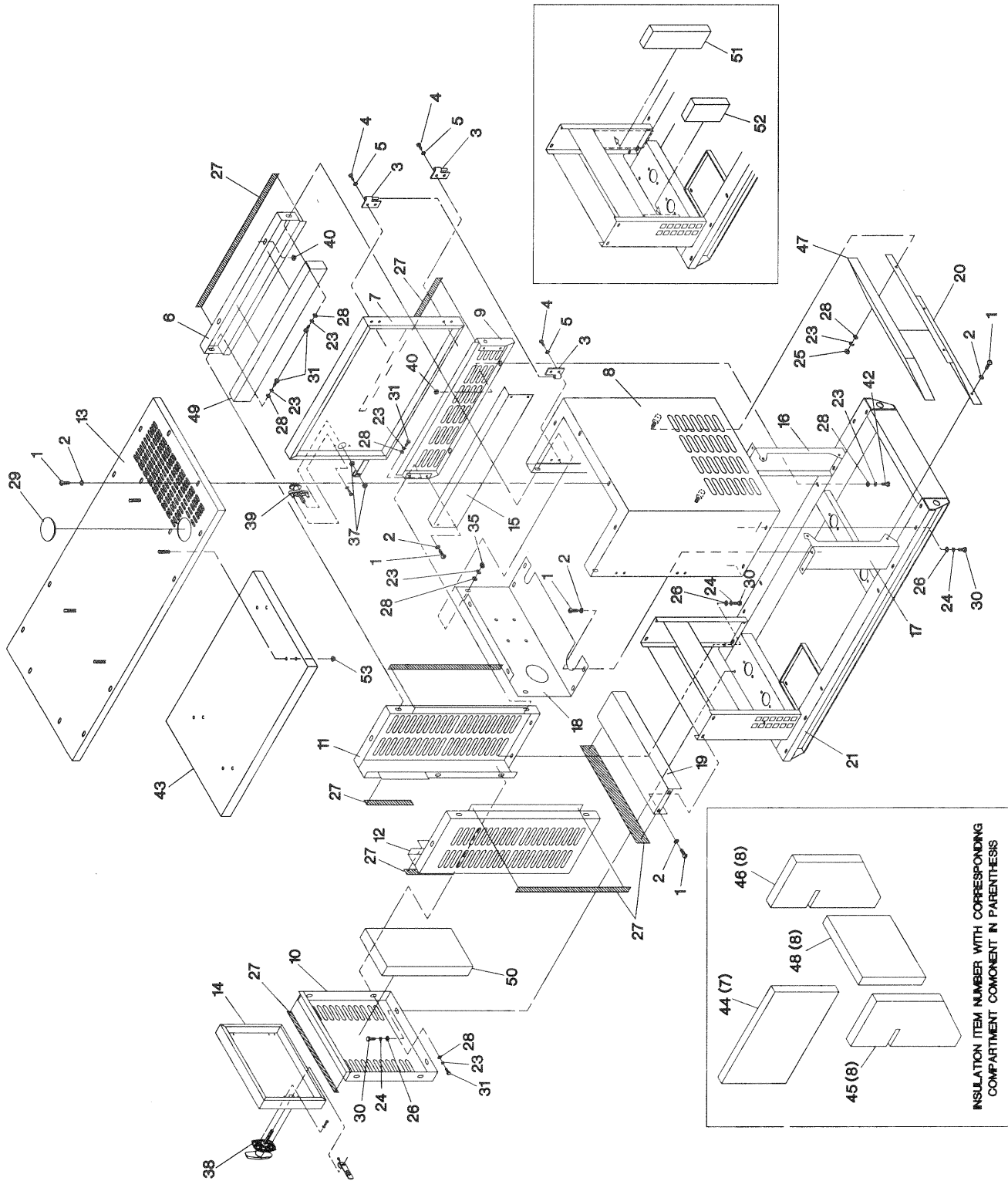


ITEM	PART NO.	QTY.	DESCRIPTION
1	98671	1	ROTOR ASSEM.-10KW
	98681	1	ROTOR ASSEM.-15KW
	98675	1	ROTOR ASSEM.-20KW
	98936	1	ROTOR ASSEM.-25KW
2	20971	1	HOUSING, BLOWER
3	A1659	1	SCREEN, AIR OUTLET
4	71912	4	CAPSCR., HEX HD.-M5-0.80x10MM
5	22152	4	LOCK WASHER-M5
6	51713	4	FLAT WASHER-M5
10	22129	2	LOCK WASHER-M8(5/16")
13	98672	1	STATOR ASSEM.-10KW-1-PHASE A
	98673	1	STATOR ASSEM.-10KW-3-PHASE D
	98674	1	STATOR ASSEM.-10KW-3-PHASE GJK
	98682	1	STATOR ASSEM.-15KW-1-PHASE A
	98683	1	STATOR ASSEM.-15KW-1-PHASE D
	98684	1	STATOR ASSEM.-15KW-1-PHASE GJK
	98676	1	STATOR ASSEM.-20KW-1-PHASE A
	98677	1	STATOR ASSEM.-20KW-1-PHASE D
	98678	1	STATOR ASSEM.-20KW-1-PHASE GJK
	97620	1	STATOR ASSEM.-25KW-1-PHASE A
	98937	1	STATOR ASSEM.-25KW-1-PHASE D
	97621	1	STATOR ASSEM.-25KW-1-PHASE GJK
14	21266	1	CARRIER, REAR BEARING
15	75591	1	HOLDER, BRUSH ASSEM.
16	52813	4	SCREW, HEX HD.-M4-0.70 x 20MM
17	A1692	1	COVER, REAR BEARING CARRIER
20	75554B	4	BOLT, STATOR
21	47411	4	CAPSCREW, HEX HD.-M6-1.00 x 16MM
22	22097	4	LOCK WASHER-M6
24	97146	1	FAN & RING GEAR ASSEM.
25	42558	1	KEY-3/8" SQUARE x 1" LONG
26	97602	1	SPACER-FLEX PLATE
27	97295	1	PLATE, FLEX
28	52213	1	CAPSCR., HEX HEAD-M12-1.75 x 40MM
29	51769	1	LOCK WASHER-M12
30	49541	4	CAPSCR., HEX HD.-M10-1.50 x 35MM
31	46526	4	LOCK WASHER-M10
32	45772	4	NUT, HEX-M10-1.50
35**	82130B	1	MPU, SPEED SENSOR, RPM
37*	87599	1	PLUG, PLASTIC
38	77043E	1	FLEX GUARD 1" I.D. x 10" LONG (NOT SHOWN)
39	49809	10	FLAT WASHER-M10
41	72578	1	WASHER-ROTOR SHAFT
42	98544	6	CAPSCREW, M10-1.25 x 16MM

*USED ON PRE-PACKAGED UNITS ONLY

EXPLODED VIEW — COMPARTMENT

Drawing No. A5716

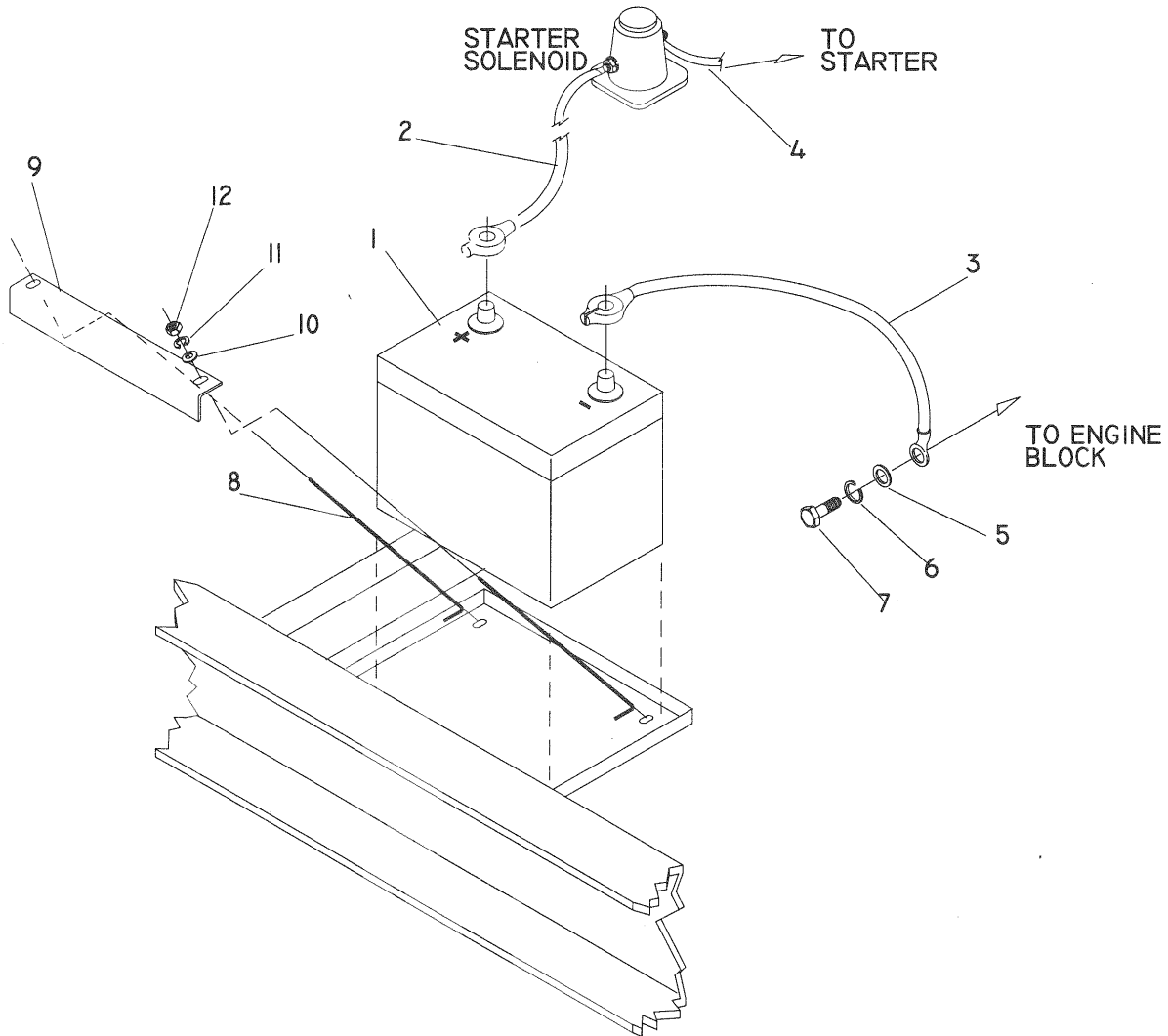


EXPLODED VIEW — COMPARTMENT
Drawing No. A5716

ITEM	DESCRIPTION	PART NO.	QTY.	ITEM	DESCRIPTION	PART NO.	QTY.
1	1/4201/2 FASTENER	A2110	32	23	LOCKWASHER, 1/4M6	22097	16
2	1/4" NYLON WASHER	A2115	32	24	LOCKWASHER, 5/16M8	22129	12
3	SLIP HINGE, MALE L.H.	A3133A	4	25	NUT, 1/220	22127	4
	SLIP HINGE, FEMALE L.H.	A3133B	4	26	FLAT WASHER, 5/16M8	22145	12
	SLIP HINGE, MALE R.H.	A3133C	2	27	FOAM STRIP, 3/4 x 1/4"	89961	24ft.
	SLIP HINGE, FEMALE R.H.	A3133D	2	28	FLAT WASHER, 1/4M6	22473	20
4	BHSCS M6 x 16 S.S.	A3359	24	29	PLUG BUTTON 4"	82570	1
5	SHAKEPROOF, INT M6 S.S.	A3360	24	30	HHCS, M81.25 x 20	39253	12
6	PANEL, SIDE	A3445	2	31	HHCS, M61.0 x 20LG	42568	12
7	DOOR, SIDE	A3449	2	35	NUT, HEX M61.0	49813	4
8	PANEL, FRONT	A4822	1	37	HEX NUT JAM3/824	37337	4
9	PANEL, SIDE BOTTOM	A4823	2	38	LATCH & CAM (REWORK)	A6807	1
10	PANEL, REAR	A4824	1	39	LATCH AND CAM	57042	2
11	CORNER POST, REAR L.H.	A4825	1	40	SPEED NUT 1/420	67577	4
12	CORNER POST, REAR R.H.	A4826	1	42	1/420 x 1 HHCS	22413	4
13	TOP, ENCLOSURE	A4829	1	43	INSULATION, PANEL TOP	A5199B	1
14	DOOR, REAR	A4831	1	44	INSULATION, DOOR	A5199A	2
15	DUCT	A4832	2	45	INSULATION, PANEL, FRONT R.H.	A5199E	1
16	RADIATOR, SUPPORTL.H.	A4833	1	46	INSULATION, PANEL, FRONT L.H.	A5199F	1
17	RADIATOR, SUPPORTR.H.	A4834	1	47	INSULATION, DUCT, FRONT	A5199G	1
18	PANEL, RADIATOR1800 RPMA4835		1	48	INSULATION, PANEL, FRONT TOP	A5199H	1
	PANEL, RADIATOR3600 RPMA6139		1	49	INSULATION, PANEL, SIDE	A5199D	2
19	PANEL, TOP CONTROL	A4877	1	50	INSULATION, PANEL, REAR	A5199J	1
	PANEL 3600RPM			51	INSULATION, DUCT, L.H. SIDE	A5199K	1
	PANEL, TOP CONTROL	A5594	1	52	INSULATION, DUCT, R.H. SIDE	A5199L	1
	PANEL 1800RPM						
20	FRONT AIR DUCT	A4879	1				
21	BASE, MOUNTING	A4954	1				

EXPLODED VIEW — BATTERY

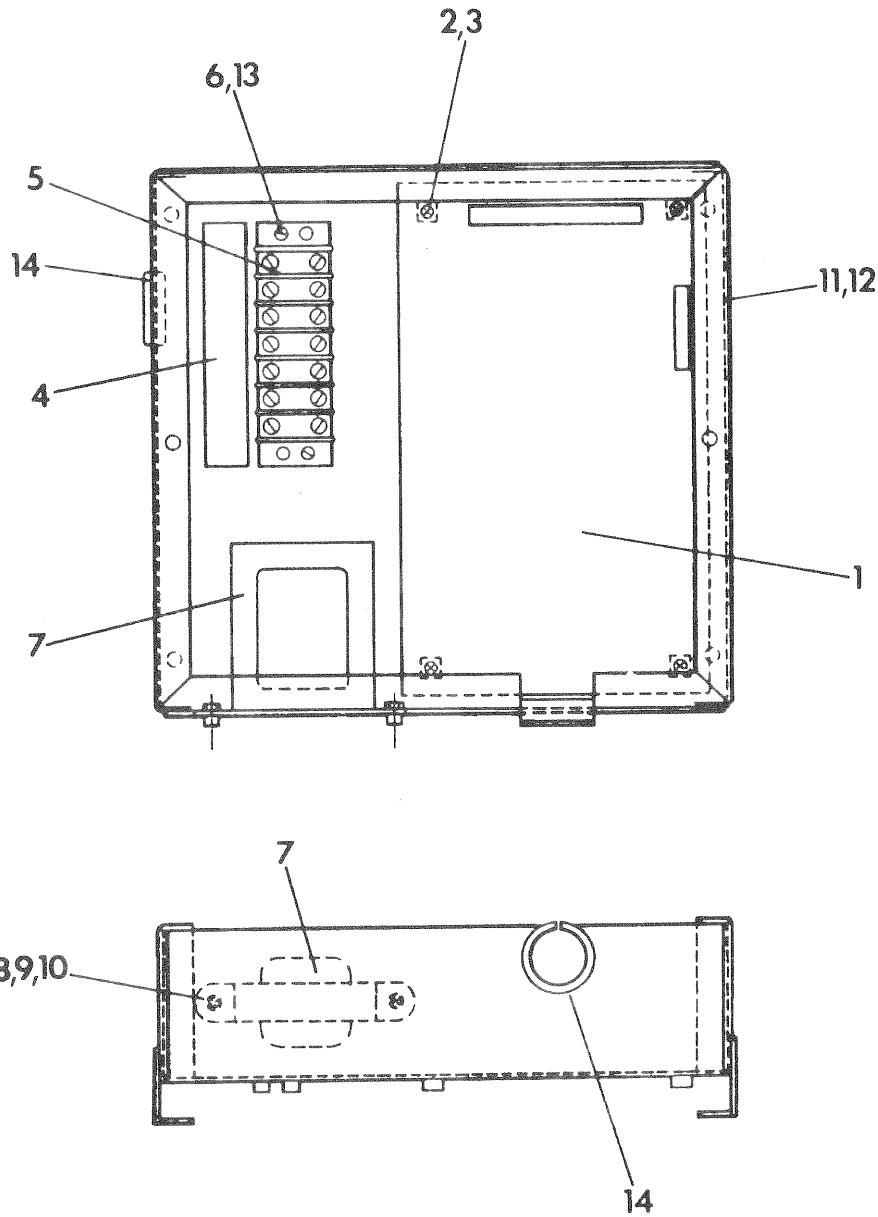
Drawing No. 98922



ITEM	DESCRIPTION	PART NO.	QTY.
1	BATTERY, GROUP 26	----	--
2	CABLE, BATTERY - RED, 20"	38804-D	1
3	CABLE, BATTERY - BLACK, 23"	38805-B	1
4	CABLE, RED 29"	131-74260	1
5	WASHER, FLAT - M10	22131	1
6	WASHER, LOCK - M10	46526	1
7	HEX HD. CAPSCREW, M10-1.25 X 20 LONG	52213	1
8	J-BOLTS, BATTERY HOLD DOWN	59567	2
9	BAR, HOLD-DOWN	78121	1
10	WASHER, FLAT - 5/16"	22145	2
11	WASHER, LOCK - 5/16"	22129	2
12	NUT, HEX - 5/16"-18	22259	2

EXPLODED VIEW — CMA ASSEMBLY

Drawing No. 81086

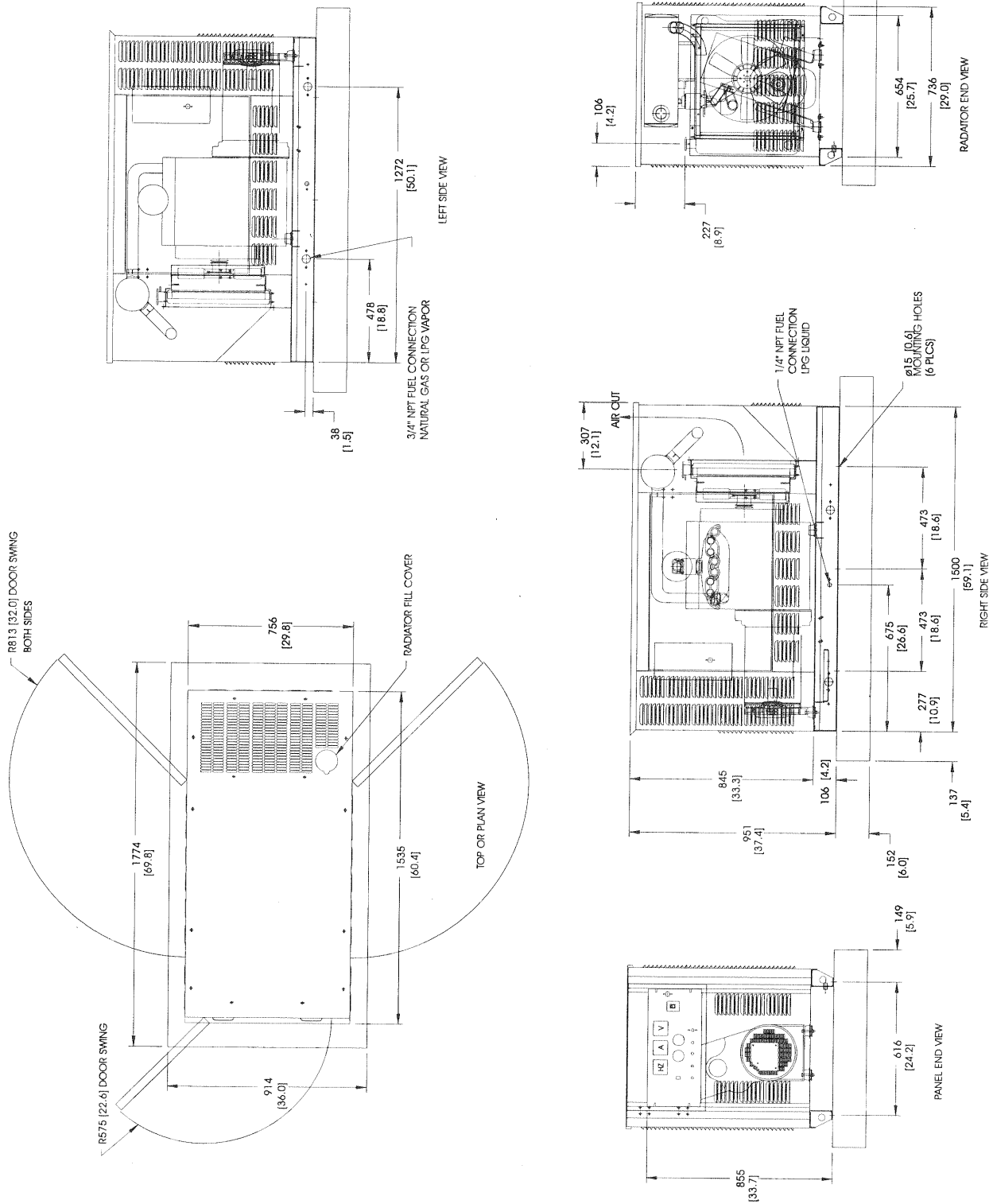


ITEM	DESCRIPTION	PART NO.	QTY.	ITEM	DESCRIPTION	PART NO.	QTY.
1	DC Control/Latch Cir. Board	76009	1	10	M4-0.7 x 12mm Screw	51787	2
2	Cir. Board Sup. Stand-Off	72566	4	11	CMA Box	79847	1
3	6 x 5/8" Screw	80882	4	12	CMA Silk Screen Cover	*77401	1
4	Terminal Strip Decal	74978	1	13	M4 Lock Washer	22264	2
5	Terminal Strip Block	47822	Ref.	14	Grommet	38507	2
6	M4-0.7 x 16mm Screw	75476	2	15	Crimptite	*58443	2
7	24VA 12 SEC 240/12V Transformer	83264	1	16	Mfg. Nameplate Decal	*81224	1
8	M4 Flat Washer	22985	2	18	Wire Harness	*79682	1
9	M4 Lock Washer	22264	2				

*** Not shown on this drawing.**

EXPLODED VIEW — INSTALLATION DRAWING

Drawing No. A5785



**GENERAC GENERATORS' STANDARD ONE YEAR
LIMITED WARRANTY FOR STANDBY POWER SYSTEMS**

For a period of one (1) year or 1500 hours of operation from the date of original sale, whichever occurs first, an Generac dealer will at its option repair or replace any part which, upon examination by an Generac dealer, is found to be defective under normal use and service. Any equipment which the buyer claims to be defective must be examined by an Generac dealer's nearest authorized warranty service facility. All transportation costs under warranty, including return to the factory, are borne by the buyer and pre-paid.

WARRANTY SCHEDULE

YEAR ONE - 100% coverage on mileage*, labor and parts listed.

ENGINE - All components.

ALTERNATOR - All components.

TRANSFER SYSTEM - All Components.

* Mileage allowance is limited to 300 miles or 7.5 hours, whichever occurs first, and applies only to permanently wired and mounted units.

All warranty expense allowances are subject to the conditions defined in the PUBLISHED GENERAC POLICIES AND PROCEDURES MANUAL.

Units which have been resold are not covered under the Generac Generators warranty.

The warranty shall not apply to:

- Costs of maintenance, adjustments, installation and startup.
- Failures due to normal wear, accident, abuse, misuse, negligence, or improper installation.
- Products which are modified or altered in a manner not authorized by Generac in writing.
- Any incidental, consequential or indirect damages caused by defects in materials or workmanship, or any delay in repair or replacement of the defective parts.
- Failure due to misapplication.
- Telephone, telegraph, teletype or other communication expense.
- Living or travel expenses of persons performing service, except as specifically included within the terms of a specific unit warranty.
- Rental equipment used while warranty repairs are being performed.
- Overtime labor.
- Starting batteries, fuses, light bulbs and engine fluids.

THIS WARRANTY IS IN PLACE OF ALL OTHER WARRANTIES, EXPRESS OR IMPLIED. SPECIFICALLY, GENERAC GENERATORS MAKE NO OTHER WARRANTIES AS TO MERCHANTABILITY OR FITNESS FOR A PARTICULAR PURPOSE. Some states do not allow limitations on how long an implied warranty lasts, so the above limitation may not apply to you.

GENERAC GENERATORS' ONLY LIABILITY SHALL BE THE REPAIR OR REPLACEMENT OF PARTS AS STATED ABOVE. IN NO EVENT SHALL GENERAC GENERATORS BE LIABLE FOR ANY INCIDENTAL OR CONSEQUENTIAL DAMAGES, EVEN IF SUCH DAMAGES ARE A DIRECT RESULT OF GENERAC'S NEGLIGENCE. Some states do not allow the exclusion or limitation of incidental or consequential damages, so the the above limitation may not apply to you. Buyer agrees to make no claims against Generac Generators based on negligence.

This warranty gives you specific legal rights, and you may also have other rights which vary from state to state.

**Manufactured by
GENERAC CORPORATION**