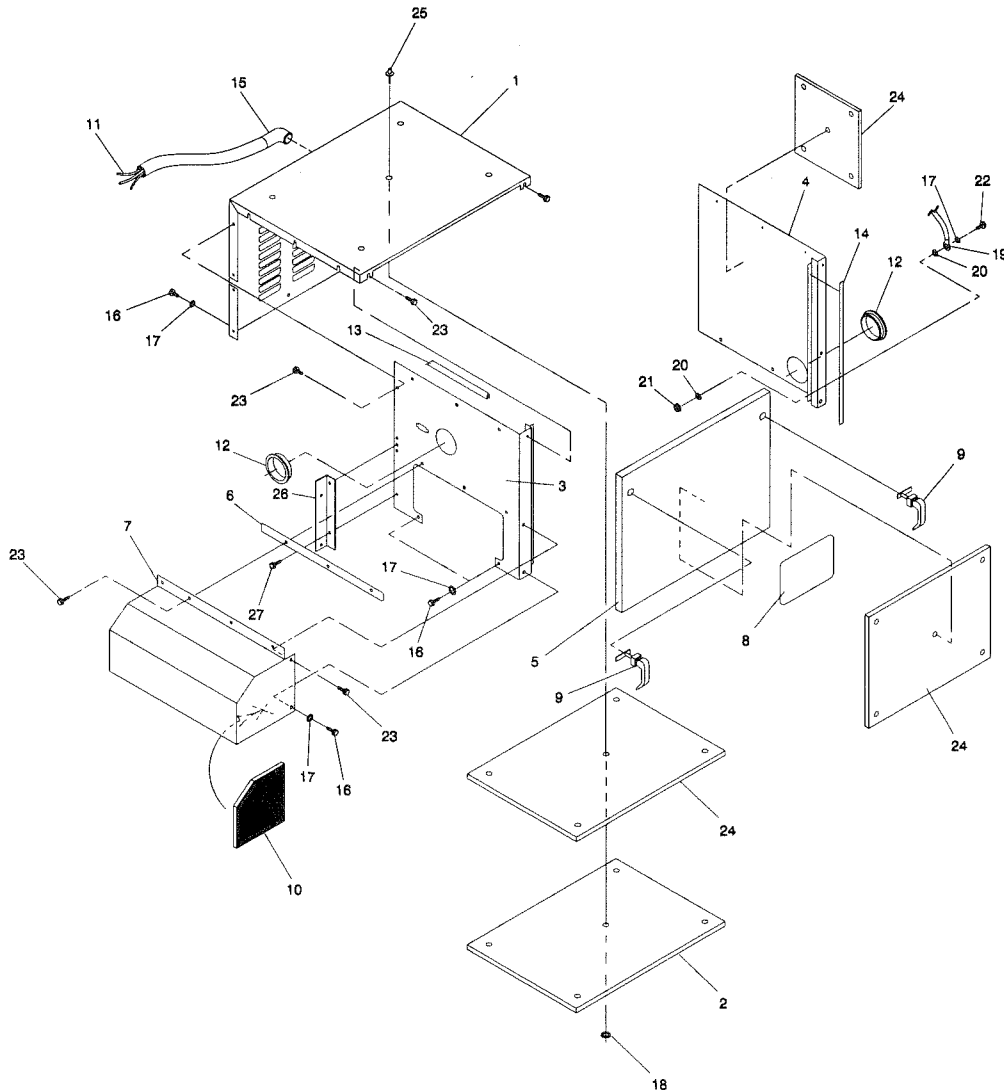
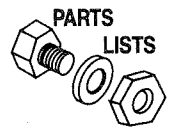
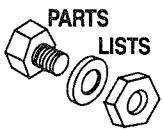


## Section 6 – Exploded Views and Parts Lists

### Series QP55-G Recreational Vehicle Generator Outer Sheet Metal – Drawing No. C1862-A

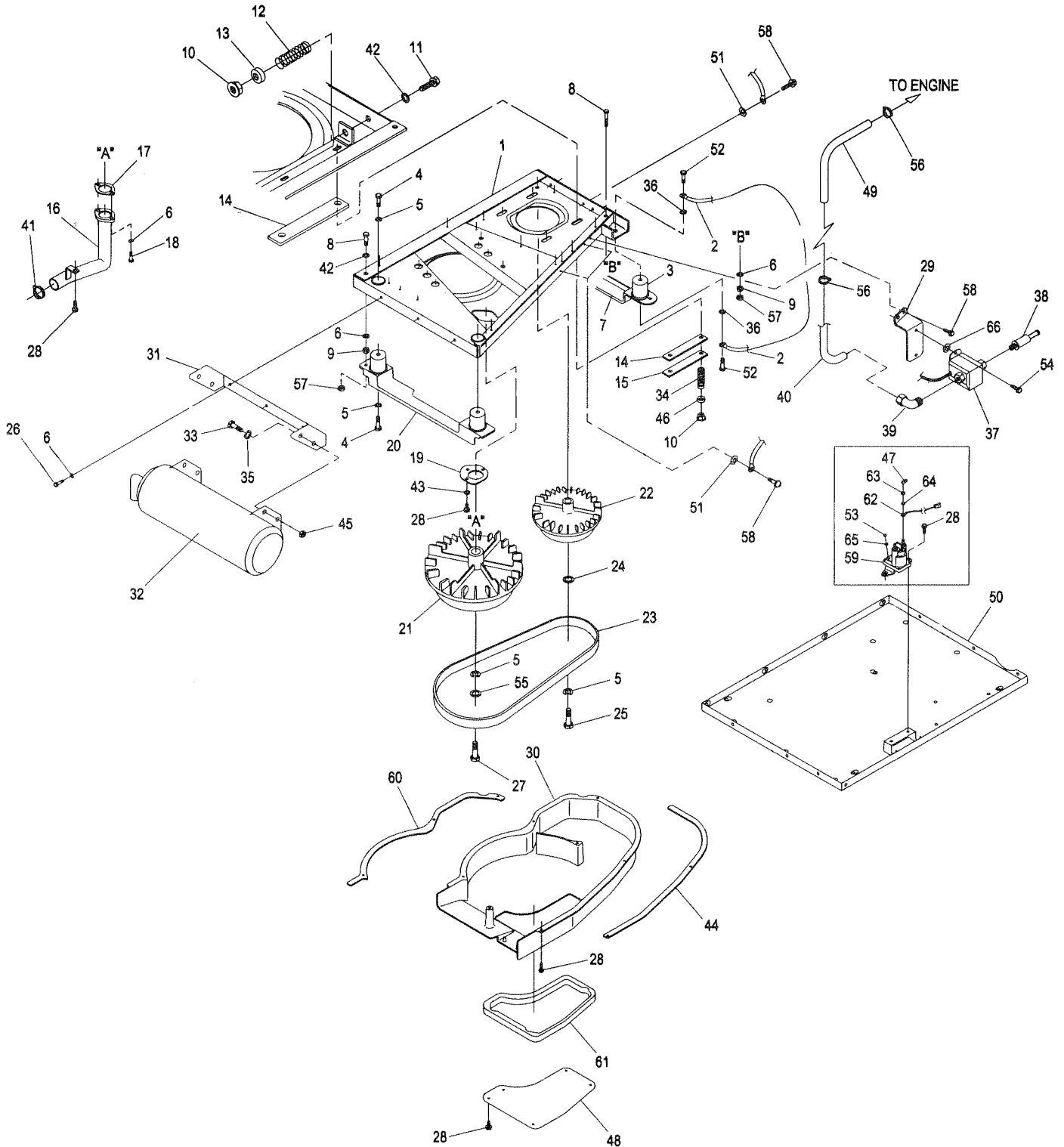


ITEM	PART NO.	QTY.	DESCRIPTION	ITEM	PART NO.	QTY.	DESCRIPTION
1	C1781	1	ASSEMBLY, ENCLOSURE TOP & BACK	16	79246	10	HHCS W/LOCK WASHER, M6-1.0 x 16mm
2	A8011	1	SUPPORT, SOUND PAD	17	22473	11	FLAT WASHER, 1/4"-M6
3	C1774	1	PANEL, ENGINE SIDE	18	22985	5	FLAT WASHER #6
4	C1775	1	PANEL, ALTERNATOR SIDE	19	C4006	1	CABLE, BATTERY 30" LG.
5	A9130	1	ENCLOSURE, DOOR	20	A1658	2	LOCK WASHER, SPECIAL 1/4"
6	C5401	1	GASKET, MUFFLER	21	52857	1	FLANGE NUT-M6-1.00
7	C1462	1	MUFFLER, ENCLOSURE ASSEMBLY	22	49721	1	HHCS, M6-1.0 x 35mm
8	C2331	1	DECAL, UNIT QPACT 55	23	A7215	21	SWAGE FASTENER WITH NYLON WASHER, 1/4"-20 x 5/8"
9	A6917	2	LATCH, LIFT & TURN	24	A7835	3	PAD, SOUND DAMPENING
10	A7163	1	HEAT SHIELD, MUFFLER	25	A7836	5	RIVET, 1/8" DIM.
11	C5107	1	ASSEMBLY, WIRE HARNESS	26	C5400	1	BRACKET, ANGLE
12	A6859	2	GROMMET	27	58443	2	CRIMPTITE, 1/4-20 x 5/8"
13	A6760	6.5 FT.	SEAL, EXTRUSION				
14	29451	6 FT.	RUBBER TAPE 1/8" x 1/2"				
15	C8281	1	CONDUIT ASSEMBLY				



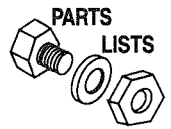
# Section 6 – Exploded Views and Parts Lists

## Series QP55-G Recreational Vehicle Generator Base and Pulleys – Drawing No. C5198-A

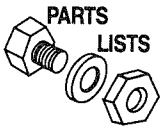


## Section 6 – Exploded Views and Parts Lists

Series QP55-G Recreational Vehicle Generator  
Base and Pulleys – Drawing No. C5198-A

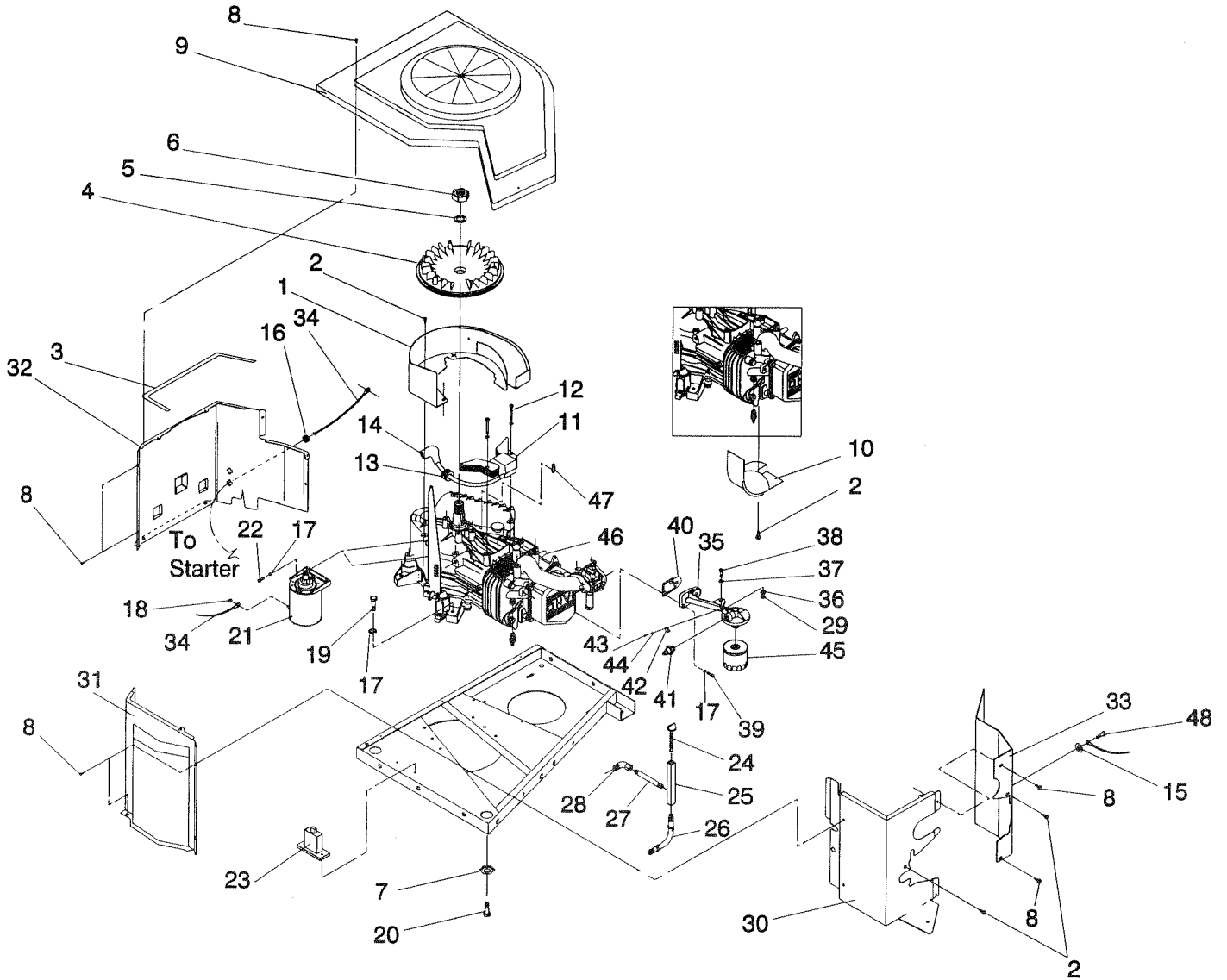


ITEM	PART NO.	QTY.	DESCRIPTION	ITEM	PART NO.	QTY.	DESCRIPTION
1	C2368	1	BASE, MOUNTING	34	75242	4	SPRING, GENERATOR SET MT
2	53407	1	GROUND CABLE	35	46526	2	LOCK WASHER-M10
3	46911	4	MOUNT, (RUBBER)	36	A4456	2	3/8" SPECIAL LOCK WASHER
4	25017	7	CAPSCREW, HEX HD.- 3/8"-16 X 1/2"	37	90475	1	FUEL PUMP
5	22237	9	LOCK WASHER, 3/8"	38	87769	1	FUEL FILTER
6	22129	7	LOCK WASHER, 5/16" - M8	39	A7695	1	FITTING-1/8" PIPE TO 1/4" TUBE
7	A6479	1	SKID, RUBBER MOUNT	40	A6922	1	FUEL TUBE, METAL
8	77603	2	SAFETY BOLT 5/16"-18 X 3 1/2"	41	96289	1	CLAMP, EXH. PIPE-1-1/4" DIA.
9	22259	2	NUT, HEX-5/16"-18	42	22145	4	FLAT WASHER-M8-5/16"
10	52858	6	NUT, FLANGED LOCK-M8-1.25	43	38150	3	FLAT WASHER, #8 - M4
11	51730	2	CAPSCR. HEX HD.- M8-1.25 X 60MM	44	A8010A	1	GASKET, BLOWER HSNG
12	29459	2	SPRING, BELT TENSION	45	52859	2	FLANGE NUT-M10-1.50
13	75215	2	WASHER, SPRING CNTR.	46	75237	4	WASHER, SPRING RETAINER
14	73146	4	SLIDE (NYLON)	47	75763-A	1	BOOT, BATTERY CABLE
15	75209	2	SUPPORT, NYLON SLIDE	48	A8692	1	PLATE, BLOWER HOUSING
16	A6138	1	MANIFOLD, EXHAUST	49	30340	6 IN.	HOSE, FUEL 1/4" I.D.
17	90239	1	GASKET, EXHAUST MANIFOLD	50	A8594	1	PAN, SLIDE
18	40976	2	SOCKET HD. CAPSCR.,- M8-1.25 X 20 LG.	51	A8475	3	SPECIAL LOCK WASHER, M5
19	A6858	1	GASKET, EXHAUST	52	23152	1	CAPSCR., HEX HD.- 3/8"-16 X 3/4"
20	A8614	1	SKID, RUBBER MOUNT	53	22471	2	HEX NUT-#8-32
21	75224-G	1	PULLEY, ENGINE	54	45756	2	SCREW, TAPTITE- M6-1.0 X 10 LG.
22	73106-B	1	PULLEY, ALT.	55	22131	1	FLAT WASHER, 3/8" - M10
23	75216	1	BELT (POLY V 4L)-40"	56	48031-C	2	CLAMP, HOSE 1/4"
24	49451	1	WASHER, PULLEY RETAINER	57	81105	2	NUT, FLANGE-5/16"-18 (SPECIAL)
25	42633	1	CAPSCR., SOCKET HD. 3/8"-24 X 1" (GRADE 5)	58	66849	5	SCREW, TAPTITE M5-0.8 X 16 LG.
26	42907	3	CAPSCR., HEX HD.- M8-1.25 X 16	59	86729	1	STARTER CONTACTOR
27	A8250	1	CAPSCR., HEX HD.-3/8"-24 X 2"	60	A8010	1	GASKET, BLOWER HSNG
28	56893	18	CRIMPTITE-#10-24 X 1/2"	61	A8693	1	GASKET, BLOWER HOUSING
29	A8615	1	BRACKET-FUEL PUMP	62	10-74260	1	STARTER CABLE - RED
30	C1320	1	HOUSING, BLOWER	63	22127	2	HEX NUT-1/4"-20
31	A8043	1	MUFFLER SUPPORT BRACKET	64	22097	2	LOCK WASHER, 1/4" - M6
32	A8406	1	MUFFLER	65	22264	2	LOCK WASHER, #8 - M4
33	51756	2	CAPSCR. HEX HD.- M10-1.5 X 20 LG.	66	A1658	1	SPECIAL LOCK WASHER, 1/4"



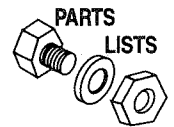
# Section 6 – Exploded Views and Parts Lists

Series QP55-G Recreational Vehicle Generator  
Engine Sheet Metal – Drawing No. A7233-D



## Section 6 – Exploded Views and Parts Lists

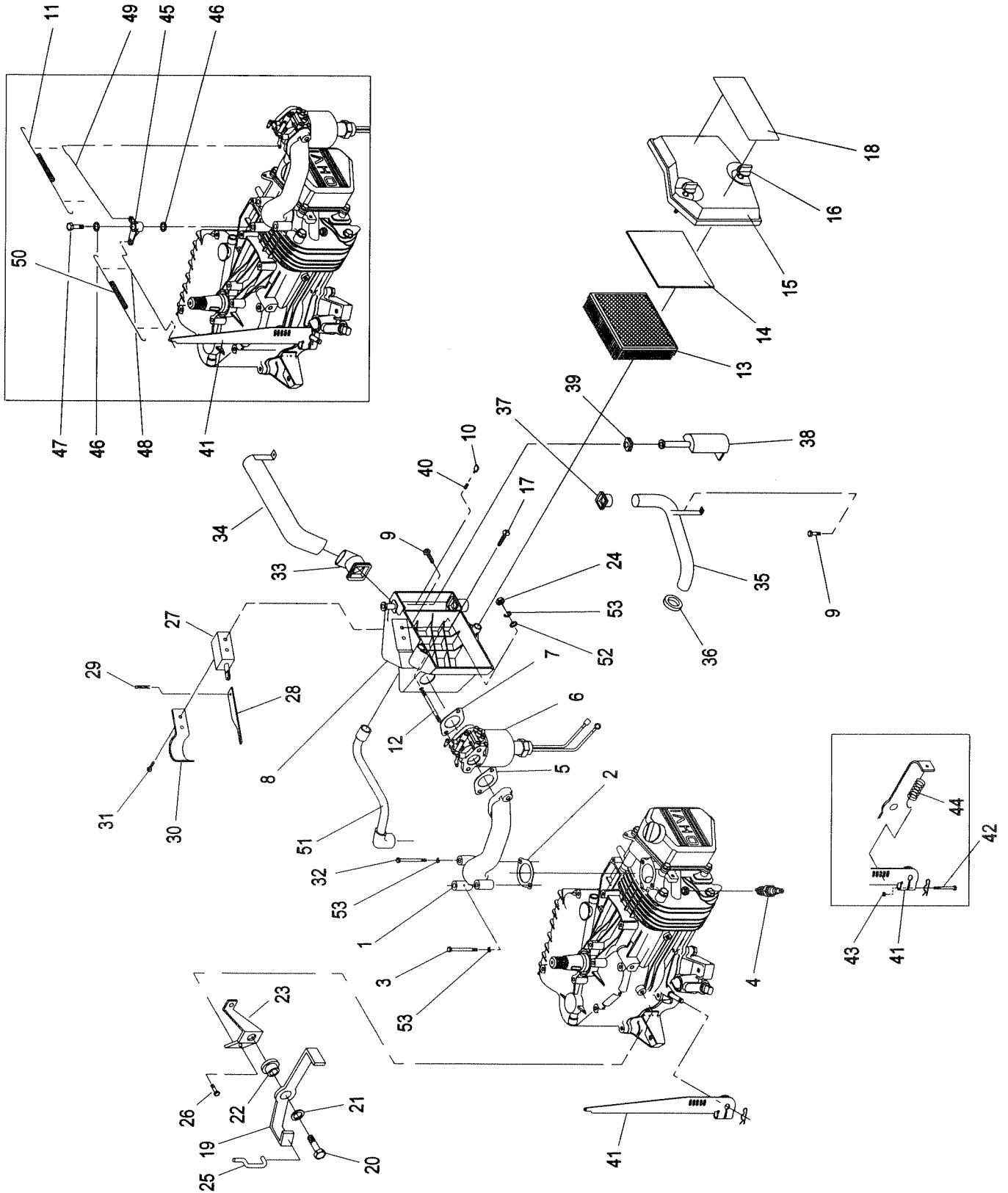
Series QP55-G Recreational Vehicle Generator  
Engine Sheet Metal – Drawing No. A7233-D



ITEM	PART NO.	QTY.	DESCRIPTION	ITEM	PART NO.	QTY.	DESCRIPTION
1	A4323	1	SCROLL, FLYWHEEL	27	31580	1	PIPE NIPPLE, 3/8" X 8.5" LG.
2	45756	8	SCREW, TAPTITE M6-1.0 X 10MM	28	38593	1	BRASS STREET ELBOW, 3/8"
3	29289	2.5 FT.	FOAM TAPE	29	22473	1	FLAT WASHER, 1/4"-M6
4	SRV 91222-D1		FLYWHEEL	30	A6357	1	WRAPPER, ENGINE SPARK PLUG
5	67198-N	1	WASHER, BELLVILLE M20	31	A6360	1	WRAPPER, STARTER SIDE
6	67890	1	NUT, M20 X 1.5	32	A6489	1	WRAPPER, REAR GEAR CASE
7	A4456	1	3/8" SPECIAL LOCK WASHER	33	A6359	1	WRAPPER, CARB. SIDE
8	56893	21	SCREW, CRIMPTITE #10-24 X .5"	34	10-74260	1	ASSEMBLY, WIRE-STARTER (#16)
9	A6358	1	COVER, TOP FLYWHEEL	35	90892	1	SUPPORT, OIL FILTER
10	91646	1	DEFLECTOR, EXHAUST PORT	36	91159	1	BUSHING, RUBBER
11	92572	1	ASSEMBLY, IGNITION COIL	37	91160	1	WASHER, RUBBER
12	92079	2	SCREW, TAPTITE M6-1.0 X 25MM	38	91161	1	BOLT, SHOULDER- M6-1.0 X 15MM
13	22717A	1	GROMMET, RUBBER	39	49821	2	BOLT, SOCKET HD. CAPSCR. -M8-1.25 X 30MM
14	73132	1	BOOT, SPARK PLUG	40	86999	1	GASKET, OIL FILTER SUPPORT
15	A1658	1	SPECIAL LOCK WASHER, 1/4"	41	60108	1	SWITCH, OIL PRESSURE- 10 PSI
16	89685	2	GROMMET, RUBBER	42	75281	1	SWITCH, OIL TEMPERATURE
17	22129	6	LOCK WASHER-M8	43	C1085	2	SCREW, PHILIPS PAN HD. MACH.-M3-.5 X 8MM
18	22127	1	HEX NUT-1/4"-20	44	43182	2	LOCK WASHER-M3
19	57821	2	CAPSCR., HEX HD.- M8-1.25 X 40MM	45	70185	1	FILTER, OIL
20	59637	2	SCREW, TAPTITE 3/8"-16 X .75"	46	A7629	1	ENGINE, LONG BLOCK- GN410VSRV
21	21544	1	MOTOR, STARTER-12VOLT	47	82774	1	KEY, WOODRUFF 4 X 19 DIA.
22	40976	2	SOCKET HD. CAPSCR., M8-1.25 X 20MM	48	90388	1	TAPTITE, M6-1.00 X 12MM
23	SRV A6370	1	ASSY.-ELECTRONIC GOV.				
24	A8875	1	ASSEMBLY, DIPSTICK & CAP				
25	A7299	1	OIL DRAIN/DIPSTICK TUBE				
26	A9539	1	OIL DRAIN HOSE ASSEMBLY				

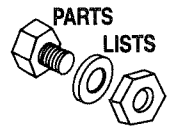
**Section 6 – Exploded Views and Parts Lists**

**Series QP55-G Recreational Vehicle Generator  
Engine Accessories – Drawing No. A7235-C**



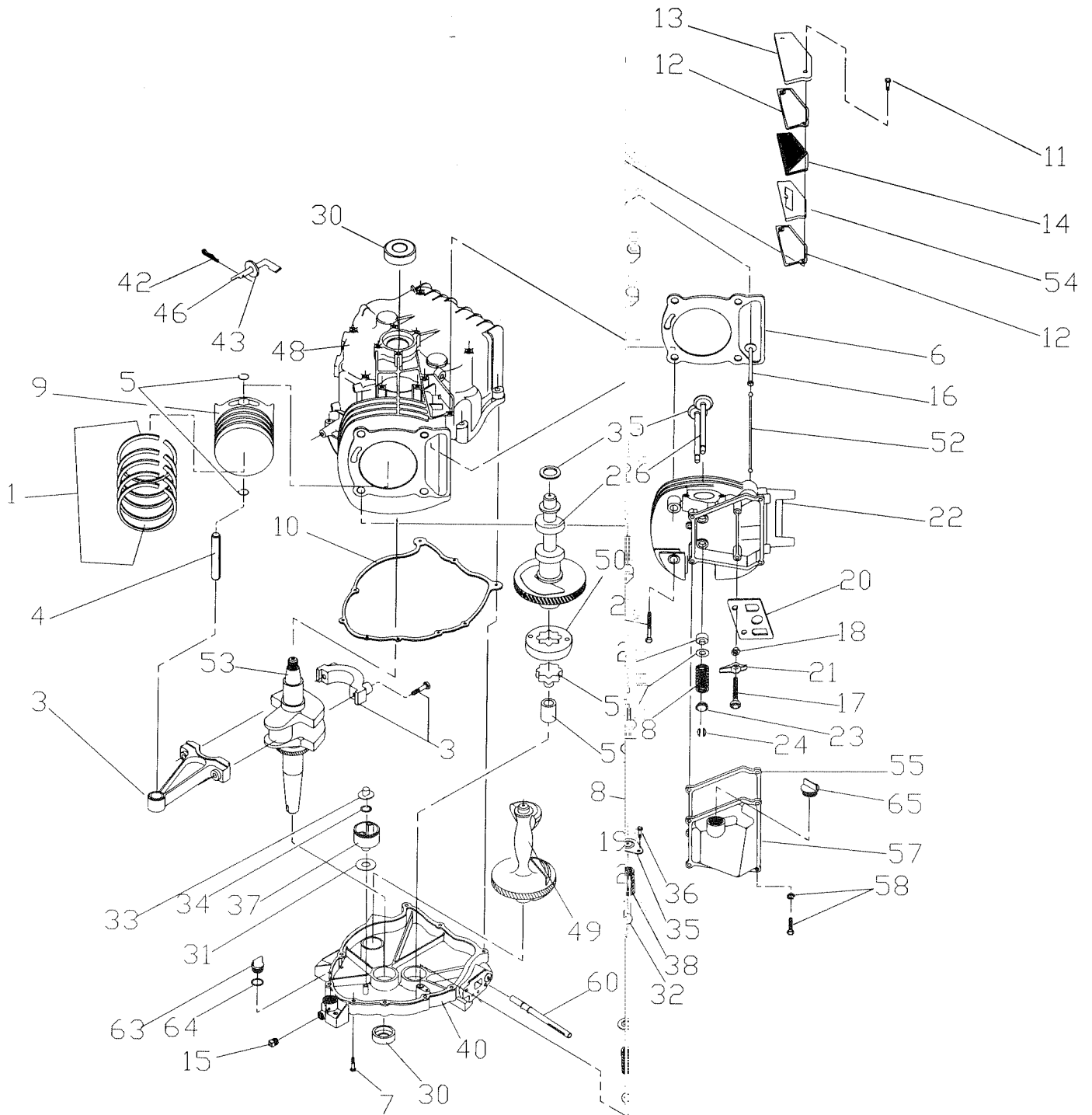
## Section 6 – Exploded Views and Parts Lists

Series QP55-G Recreational Vehicle Generator  
Engine Accessories – Drawing No. A7235-C



ITEM	PART NO.	QTY.	DESCRIPTION	ITEM	PART NO.	QTY.	DESCRIPTION
1	A6532	1	MANIFOLD, INTAKE	31	A7094	2	SCREW, PHILIPS PAN HD. MACH. #4-40 X .25"
2	91039	1	GASKET, MANIFOLD/HEAD	32	20753	1	HHCS M6-1.0 X 60MM
3	51753	1	HHCS M6-1.0 X 40MM	33	A6754	1	GROMMET, SUMMER AIR
4	72347	1	SPARK PLUG, CHAMP #RC12YC	34	A6583	1	TUBE, SUMMER INLET
5	89228	1	GASKET, CARB./MANIFOLD	35	A6582	1	TUBE, WINTER INLET
6	A6562	1	CARBURETOR	36	A6503	1	GROMMET 1/16"-1-1/2"
7	90970	1	GASKET, CARB./AIR FILTER	37	A6569	1	GROMMET, WINTER/SUMMER VALVE
8	A6564	1	BASE, AIR FILTER	38	A6565	1	VALVE, WINTER/SUMMER
9	56893	3	CRIMPTITE #10-24 X 1/2"	39	A6568	1	GROMMET, WINTER/SUMMER VALVE
10	A6566	1	DETENT	40	A6567	1	SPRING, DETENT
11	A6780	1	SPRING, A/L BELLCRANK-CARB.	41	90968	1	LEVER, GOVERNOR ARM
12	96290	2	BOLT, CARB. MOUNT 90 LONG	42	83532	1	BOLT, HEX HD. WASHER/LOCK WSHR M6-1.0 X 30MM
13	73111	1	FILTER, AIR	43	86681	1	NUT, M6-1.0 SPECIAL
14	81646	1	PRE-CLEANER, AIR FILTER	44	A7325	1	SPRING, GOVERNOR
15	A6563	1	COVER, AIR FILTER	45	A6753	1	BELLCRANK, GOV. RODS
16	C3633	2	KNOB, AIR CLEANER	46	92586	2	WASHER, FELT
17	A7095	2	RHMS #4-40 X .312"	47	91161	1	BOLT, SHOULDER M6-1.0 X 15MM
18	C2332	1	DECAL, AIRBOX QP55	48	A6913	1	ROD, LINKAGE GOV. LEVER-BELLCRANK
19	A6269	1	BELLCRANK, ELEC. GOV.	49	A6785	1	ROD, LINKAGE BELLCRANK-CARB.
20	66482	1	HHCS/LW M5-0.8 X 10MM	50	A6778	1	SPRING, A/L GOV. LEVER-BELLCRANK
21	23897	1	FLATWASHER, #10-M5	51	A6581	1	BREATHER TUBE
22	A7173	1	BUSHING, GOV. ADJ. BRACKET	52	22473	2	FLATWASHER, M6
23	A6270	1	BRACKET, PIVOT	53	22097	4	LOCKWASHER, M6
24	49813	2	NUT, M6-1.0				
25	A6365	1	ROD, GUIDE				
26	83512	2	TAPTITE M8-1.25 X 16MM				
27	A6239	1	ASSEMBLY, CHOKE SOLENOID				
28	A6584	1	LINKAGE, CHOKE				
29	36544	1	PIN, COTTER				
30	89473	1	ASSEMBLY, CHOKE HEATER				

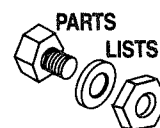
**Section 6 – Exploded Views and Parts List**  
**Series QP55-G Recreational Vehicle Generator**  
**410VS – Drawing No. A7894-D**



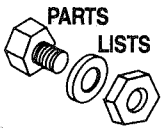


## Section 6 -- Exploded Views and Parts Lists

Series QP55-G Recreational Vehicle Generator  
410VS - Drawing No. A7894-D

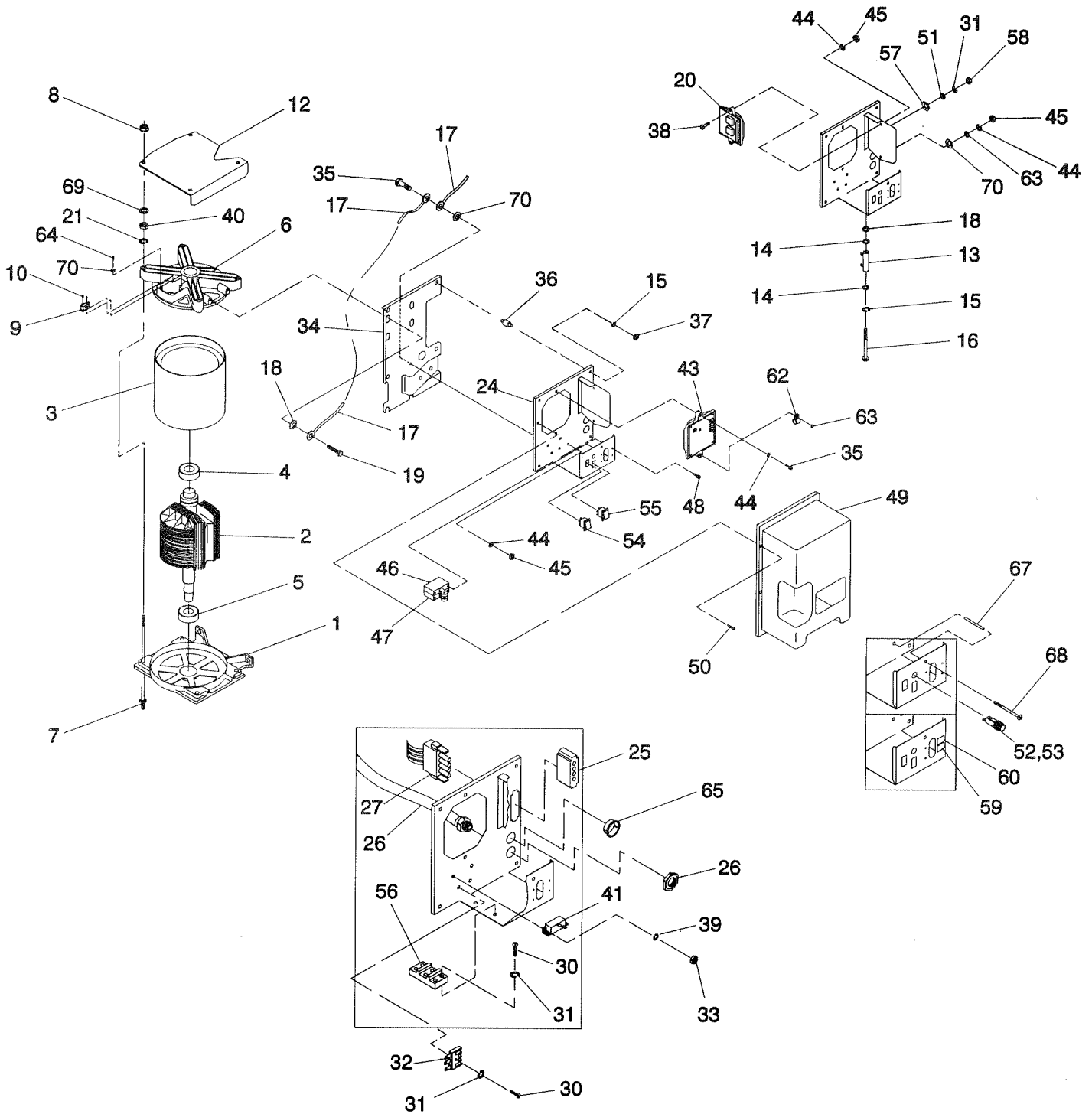


ITEM	PART NO.	QTY.	DESCRIPTION	ITEM	PART NO.	QTY.	DESCRIPTION
1	21533	1	PISTON RING SET	30	72655	2	CRANKSHAFT 35 I.D. SEAL
3	71978	1	CONNECTING ROD WITH CAP & BOLT	31	76361	1	THRUST WASHER
4	71980	1	PISTON PIN	32	A5776	1	PRESSURE RELIEF BALL
5	71983	2	PISTON PIN RETAINER	33	A7308	1	GOVERNOR SPOOL
6	21713B	1	CYLINDER HEAD GASKET	34	78645	1	GOVERNOR RETAINER (C-RING)
7	A1442	8	FLANGED HEX HD. CAPSCREW M8-1.25 X 42	35	78691	1	COVER, OIL PRESSURE RELIEF
8	21742	4	M10 1.5 X 105MM HHFL	36	74908	1	M5-0.8 X 10MM TAPTITE
9	96699	1	PISTON	37	A8930	1	GOVERNOR GEAR ASSEMBLY
10	76701	1	CRANKCASE GASKET	38	A5771	1	OIL PRESSURE SPRING
11	45756	2	M6-1.0 X 10 TAPTITE (THD. FORMING)	39	B2104	1	SPRING WASHER
12	80308	2	BREATHER GASKET	40	89280D	1	OIL SUMP ASSEMBLY
13	80309	1	BREATHER COVER	42	78658	1	GOVERNOR ARM "R" PIN
14	80338	1	OIL BREATHER SEPARATOR	43	78659	2	THRUST WASHER
15	26925	1	PIPE PLUG-3/8"	46	A7628	1	GOVERNOR ARM RC45
16	83897	2	TAPPET, SOLID	48	C3396C	1	CRANKCASE SUB ASSEMBLY
17	72694	2	PIVOT BALL STUD	49	84430	1	BALANCER
18	72696	2	JAM NUT (ROCKER ARM)	50	86002	1	OUTER GEROTOR
19	78672	1	SEAL, VALVE STEM	51	86026	1	INNER GEROTOR
20	78694	1	PUSH ROD GUIDE PLATE	52	88396B	2	PUSH ROD
21	83907	2	ROCKER ARM	53	90416A	1	CRANKSHAFT ASSEMBLY
22	21714	1	CYLINDER HEAD W/VALVE SEATS AND GUIDES	54	90747	1	BREATHER VALVE ASSEMBLY
23	86514	2	VALVE SPRING RETAINER	55	C3150	1	ROCKER COVER GASKET
24	86515	4	VALVE SPRING KEEPER	57	92362	1	ROCKER COVER W/FILL
25	86516	1	EXHAUST VALVE	58	79246	4	M6-1.0 X 16MM HEX HEAD. SCREW. AND LOCKWASHER
26	86517	1	INTAKE VALVE	59	83921	1	BEARING TUBE SHAFT
27	89673	2	WASHER, VALVE SPRING	60	77158	1	OIL SCREEN PICKUP ASSY.
28	91308	2	VALVE SPRING	63	76329	1	OIL FILL PLUG
29	A9877	1	CAMSHAFT ASSEMBLY	64	86254	1	"O" RING 17.8 I.D. X 2.4 THICK
				65	93064	1	OIL FILL CAP ASSEMBLY

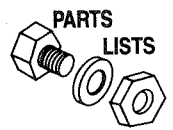


## Section 6 – Exploded Views and Parts Lists

### Series QP55-G Recreational Vehicle Generator Alternator & Control Panel – Drawing No. A9649-B



**Section 6 – Exploded Views and Parts Lists**  
**Series QP55-G Recreational Vehicle Generator**  
**Alternator & Control Panel – Drawing No. A9649-B**



ITEM	PART NO.	QTY.	DESCRIPTION	ITEM	PART NO.	QTY.	DESCRIPTION
1	75995	1	LOWER BEARING CARRIER	39	43182	2	M3-LOCK WASHER
2	A5649H	1	ROTOR ASSEM.	40	45771	4	HEX NUT, M8
3	A5646H	1	STATOR ASSEM.	41	53623	1	C/BREAKER 2.5A.-ON
4	73159	1	BALL BEARING	43	83049	1	REGULATOR VOLTAGE
5	31971	1	BALL BEARING	44	22152	5	M5-LOCK WASHER
6	72379-B	1	UPPER BEARING CARRIER	45	51716	3	M5-0.8 HEX NUT
7	A6529	4	STUD-STATOR	46	90144	1	C/BREAKER 20A.
8	52858	4	M8-1.25 FLANGE LOCK NUT	47	90145	1	C/BREAKER 30A.
9	66386	1	BRUSH HOLDER	48	25105	4	#6-32 SCREW W/LOCK WASHER
10	66849	3	M5-0.8 X 16 LG. TAPTITE	49	86315	1	PANEL COVER
12	C3818	1	GENERATOR TOP HOUSING	50	90734	4	M4-0.7 X 12 LG. CAPSCR.W/LOCK-WASHER & FLAT WASHER
13	75234	1	RESISTOR1R 5% 25 W/ LUG	51	22985	1	#6-FLAT WASHER
14	22473	2	1/4" M6-FLAT WASHER	52	32300	1	FUSE HOLDER
15	22097	5	1/4" M6-LOCK WASHER	53	22676	1	FUSE AGC-15A.
16	A2053	1	M6-1.0 X 65 LG. CAPSCREW	54	87798	1	SWITCH S.P.D.T. 6A.- (START-STOP)
17	90141	2	GROUND CABLE	55	92113	1	SWITCH S.P.D.T.-(FUEL PUMP)
18	A1658	2	SPECIAL LOCK WASHER, M6	56	75210-A	1	TERMINAL BLOCK
19	74906	4	M6-1.0 X 20 LG. TAPTITE	57	A8475A	1	SPECIAL LOCK WASHER, M4
20	94039	1	CONTROLLER P.C.B.	58	51715	1	M4-0.7 HEX NUT
21	22129	4	5/16" -M8 LOCK WASHER	59	90157	1	DECAL, CB RATING 30A.
24	86316	1	PANEL SHEET METAL	60	90156	1	DECAL, CB RATING 20A.
25	53650	1	4-PIN CONNECTOR	62	31791	1	CLAMP, HOSE
26	C4258	1	CONDUIT ASSEMBLY	63	23897	2	#10/ M5-FLAT WASHER
27	75244	1	ASSEMBLY, REMOTE CABLE	64	74908	2	M5-0.8 X 10 LONG TAPTITE
30	75476	3	M4-0.7 X 16 LG. CAPSCREW	65	23484-S	1	BUSHING
31	22264	4	#8/ M4-LOCK WASHER	67	94070	1	SPACER-PLASTIC
32	65795	1	BATTERY CHARGE RECTIFIER	68	94071	1	M5-.08 X 110 LG. PPHMS
33	90987	2	M3-0.5 X 12 LG. PPHMS	69	27756	4	NYLON WASHER
34	86317A	1	PANEL SUPPORT BRACKET	70	A8475	3	SPECIAL LOCK WASHER, M5
35	75235	3	M5-0.8 X 30 LG. CAPSCREW				
36	82737	4	VIBRATION MOUNT				
37	49813	4	M6-1.0 HEX NUT				
38	55440	2	M5-08 X 25 LG. HEX HD. CAPSCR.				