

GENERAC[®]

POWER SYSTEMS, INC.

Owner's Manual

GUARDIAN[™]
by GENERAC[®] POWER SYSTEMS

Liquid-cooled, Prepackaged
Standby Generators

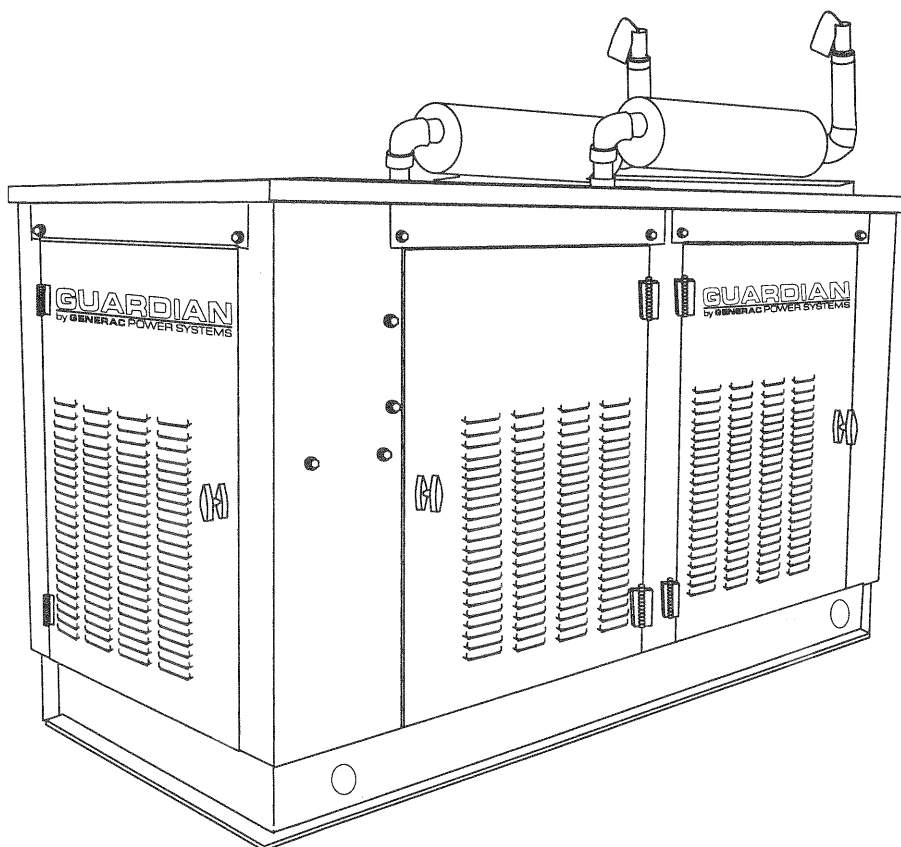
Models:

04123-0 (35 kW/Single-phase)

04144-0 (35 kW/Three-phase)

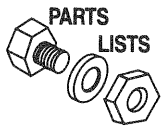
04145-0 (40 kW/Single-phase)

04146-0 (40 kW/Three-phase)



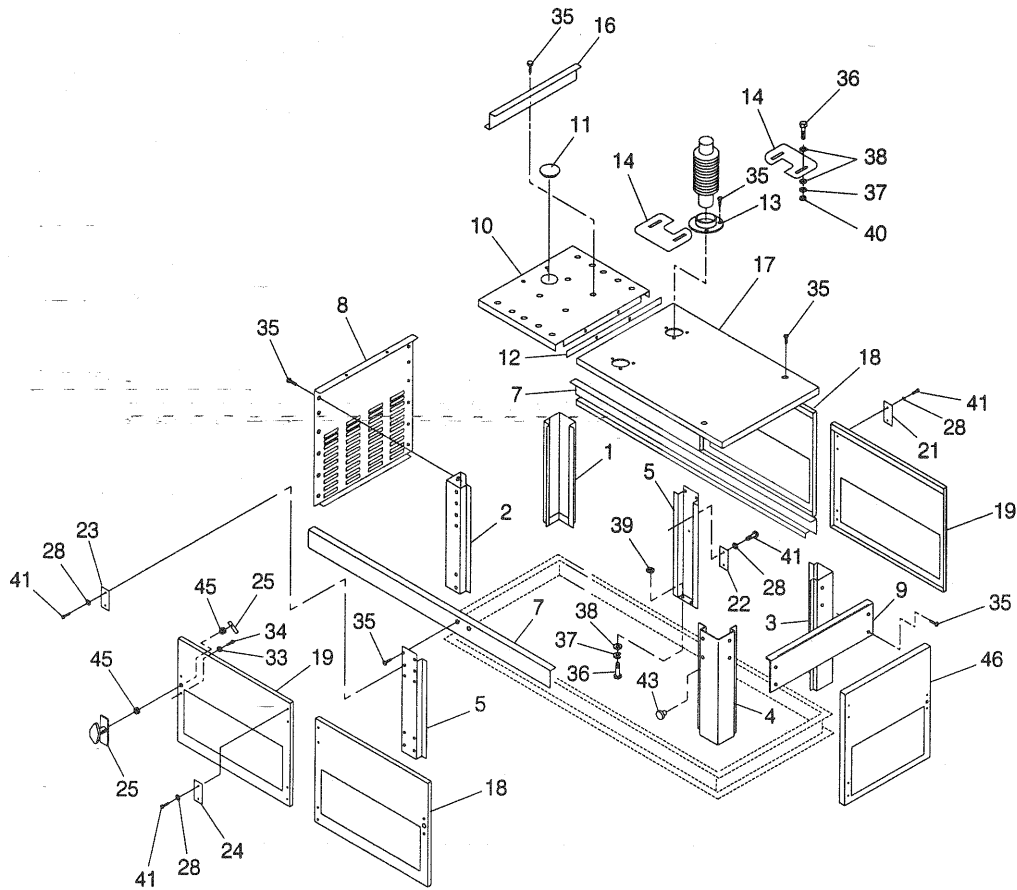
—▲ **DANGER** ▲—

**ONLY QUALIFIED ELECTRICIANS OR CONTRACTORS
SHOULD ATTEMPT INSTALLATION!!**



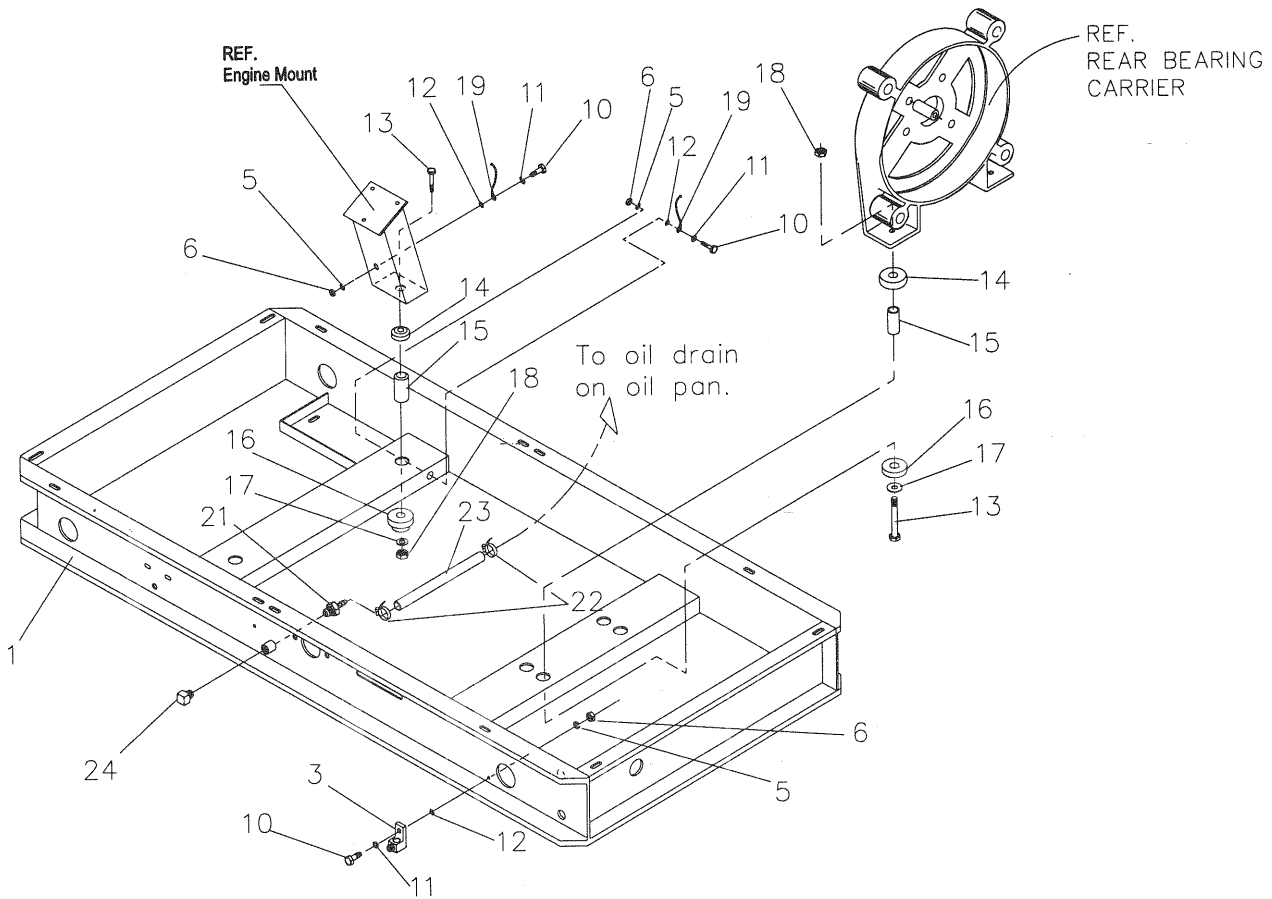
Section 6 – Exploded Views and Parts Lists

Guardian Liquid-cooled 35 kW and 40 kW Generators
Compartment – Drawing No. C2156-A



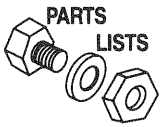
ITEM	PART NO.	QTY.	DESCRIPTION	ITEM	PART NO.	QTY.	DESCRIPTION
1	A5673A	1-	POST, CORNER-FRONT	24	A3133D	6	HINGE, SLIP-RH (FM)
2	A5673	1	POST, CORNER-FRONT	25	67042	5	LATCH
3*	C1915	1	POST, CORNER-REAR-RH	28	A3360	40	WASHER, SS SHAKEPROOF M6
4*	C1916	1	POST, CORNER-REAR-LH	33	22264	10	WASHER, LOCK-NO.8
5	A5672	2	SUPPORT, CENTER	34	67035	10	SCREW, PAN HEAD MACH.-NO.8-32 x 5/16"
7	69557	2	BRACE, SIDE	35	A7215	47	SWAGEFORM FASTENER 1/4"-20 x 5/8" W/ NYLON WASHER
8	A3136	1	SCREEN-FRONT	36	22287	16	CAPSCREW, HEX HEAD-1/4"-20 x 3/4"
9*	68422	1	BRACE, REAR	37	22097	16	WASHER, LOCK-1/4"
10	A4982	1	TOP, ENGINE END	38	22473	16	WASHER, FLAT-1/4"
11	82570	1	COVER, ACCESS 4"	39	67577	12	NUT, SPEED-1/4"-20
12	66760	34.5"	STRIP, SEALANT-1/8" x 1"	40	22127	4	NUT, HEX-1/4"-20
13	47993A	2	RING, INLET	41	A3359	40	CAPSCREW, BUTTON SOCKET HD.-M6-1.00 x 16MM S.S.
14	66071D	4	SHIELD, RAIN	43	32990	10	BUMPER
16	68932	2	SUPPORT, MUFFLER	45	37337	10	HEX NUT-JAM, 3/8"-24
17	A4137	1	TOP, GENERATOR END	46	C2256	1	DOOR, REAR 4.3L PRE-PACK
18	A3692	2	DOOR, LEFT SIDE				
19	A3692A	2	DOOR, RIGHT SIDE				
21	A3133A	4	HINGE, SLIP-LH (FM)				
22	A3133B	4	HINGE, SLIP-LH (M)				
23	A3133C	6	HINGE, SLIP-RH (M)				

Section 6 – Exploded Views and Parts Lists
Guardian Liquid-cooled 35 kW and 40 kW Generators
Mounting Base – Drawing No. C4820-

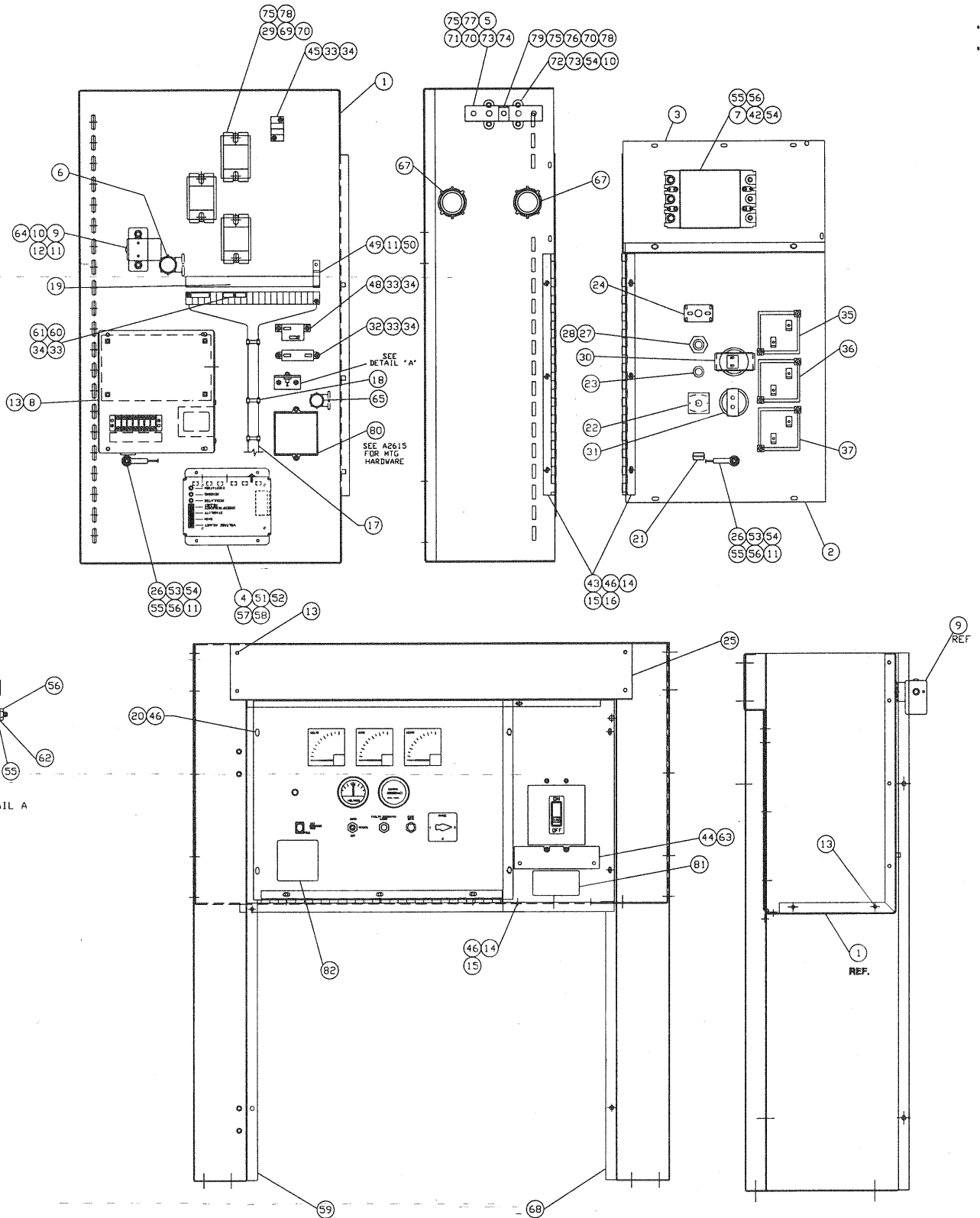


ITEM	PART NO.	QTY.	DESCRIPTION
1	A3684	1	BASE, MOUNTING
3	55414	1	LUG, GROUNDING
5	22129	3	LOCK WASHER, M8
6	45771	3	NUT, HEX-M8-1.25
10	43107	3	CAPSCREW, HEX HEAD-M8-1.25 x 25
11	22145	3	FLAT WASHER-M8
12	27482	3	WASHER, SHAKE-PROOF-M8
13	55597	4	CAPSC., HEX HD.-M12-1.75 x 85
14	52251	2	VIBRATION DAMPENER, 40 BLUE
	52251A	2	VIBRATION DAMPENER 50 WHITE

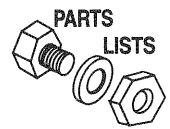
ITEM	PART NO.	QTY.	DESCRIPTION
15	52257	4	SPACER-1-7/8" LONG
16	52252	4	DAMPENER, VIBRATION
17	52259	4	FLAT-WASHER
18	52860	4	NUT, LOCK-M12-1.75
19	98-53621	1	WIRE ASSEMBLY-GROUNDING
21	44118	1	BARBED, STRAIGHT 1/2" NPT x 5/8"
22	57823	2	CLAMP, HOSE-NO. 10
23	57448	1	HOSE-5/8" I.D. x 11" LONG
24	24310	1	PLUG, PIPE-1/2 NPT



Section 6 – Exploded Views and Parts Lists
Guardian Liquid-cooled 35 kW and 40 kW Generators
Control Panel – Drawing No. C2153-A



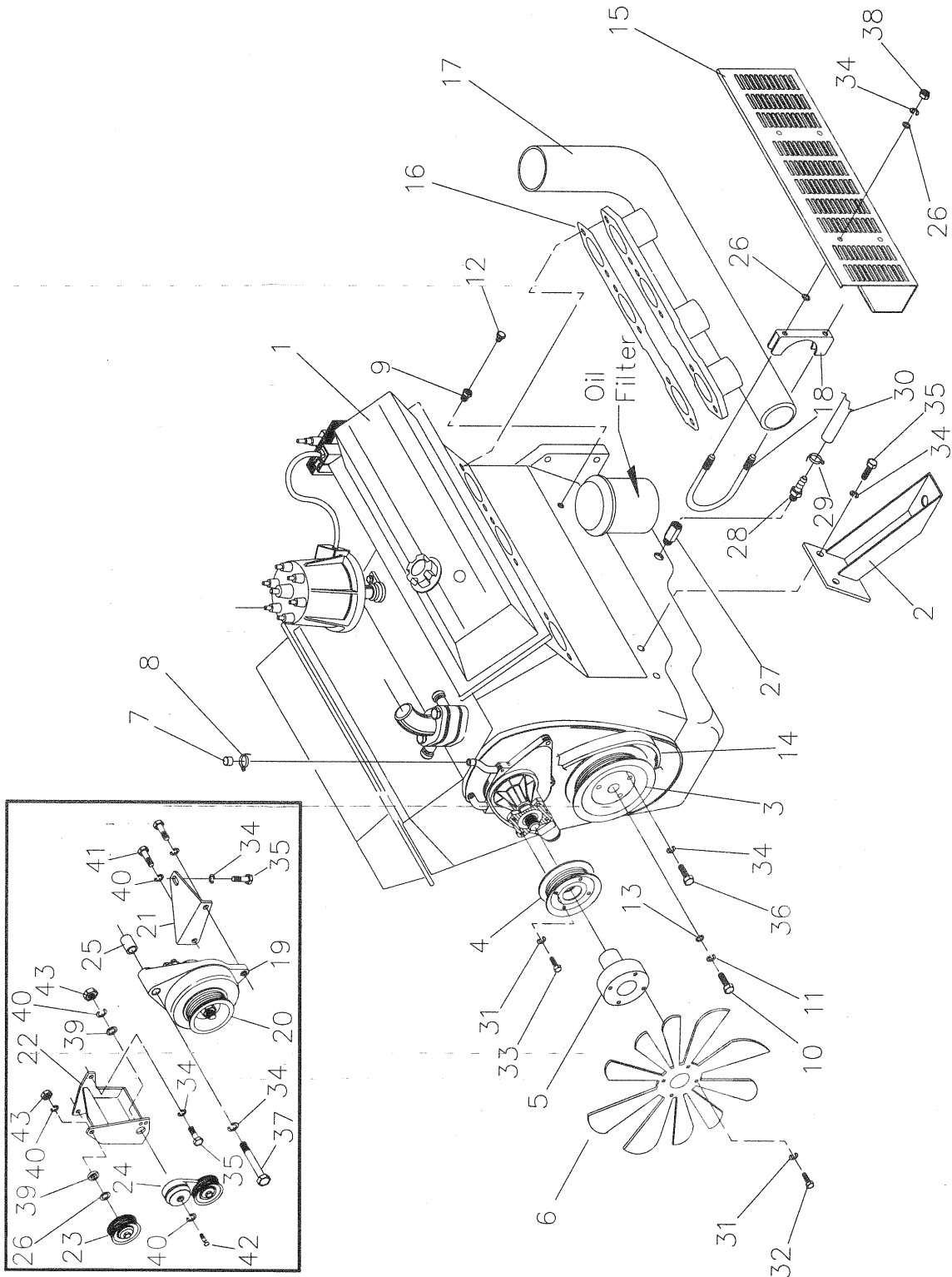
Section 6 – Exploded Views and Parts Lists
Guardian Liquid-cooled 35 kW and 40 kW Generators
Control Panel – Drawing No. C2153-A



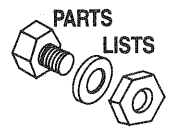
ITEM	PART NO.	QTY.	DESCRIPTION	ITEM	PART NO.	QTY.	DESCRIPTION
1	C1913	1	CONTROL PANEL REAR/BOTTOM	41	30468	1	STEP WASHER-NYLON
2	C2721	1	CONTROL PANEL-FRONT (GAUGES)	42	42419	4	RHMS #10-32 x 4"
3	C1912	1	CONTROL PANEL CIRCUIT BREAKER	43	C1914	1	HINGE, CONTROL PANEL
4	67680	1	VOLTAGE REGULATOR 60HZ	44	C3884	1	COVER, CIRCUIT BREAKER
5	39287	2	HHCS M8-1.25 x 45	45	48766	1	BLOCK, TERMINAL
6	39271	1	CONNECTOR 90 DEG. - 3/4"	46	36934	12	PPHMS #10-32 x 5/8 LG.
7	81521U	1	CIRCUIT BREAKER-MAIN (150A-600V 3P)	48	48468	1	CIRCUIT BREAKER 8A
	*81522U	1	CIRCUIT BREAKER-MAIN (175A-600V 3P)	49	55934B	1	CLAMP 1 x 9/32 (VINYL COATED)
	*81523U	1	CIRCUIT BREAKER-MAIN (200A-600V 3P)	50	58443	1	CRIMP TITE 1/4-20 x 5/8
8	75595	1	CMA BOX	51	33135	4	#8-32 x 1/2 LG. HEX HD. MCH. SCR.
9	56739	1	RELAY SOLENOID 12VDC	52	22264	4	#8 LOCK WASHER
10	22287	2	HHCS 1/4"-20 x 3/4"	53	33121	2	#10-32 x 1/2 LG. HEX HD. MCH. SCR.
11	22473	3	WASHER, FLAT 1/4"	54	22152	8	#10 LOCK WASHER
12	22097	2	WASHER, LOCK 1/4"	55	23897	7	#10 FLAT WASHER
13	A7215	20	SWFORM FASTENER 1/4-20 x 5/8" W/NYLON WASHER	56	22158	10	#10-32 HEX NUT
14	90427	12	FLAT WASHER-#10	57	38150	4	#8 FLAT WASHER
15	40295	12	LOCK WASHER #10	58	22471	4	#8-32 HEX NUT
16	40292	6	HEX NUT #10-32	59	C1916	1	CORNER POST, LH REAR (PANEL SUPPORT)
17	C1917	1	HARNES, CONTROL PANEL "P"	60	57335	1	TERMINAL BLOCK
18	29333	4	TIE WRAP-7" LG.	61	46669	2	JUMPER, TERMINAL BLOCK
19	76061	1	DECAL, TERMINAL STRIP	62	23762	1	WASHER, EXTERNAL SHAKEPROOF
20	A7029	4	WASHER, NYLON .31 x .26 x .13	63	A3468	2	SWAGEFORM #10-24 x 1/2"
21	82573	1	SWITCH, ROCKER DPST	64	22127	2	HEX NUT 1/4"-20
22	76020	1	SWITCH, AUTO/MANUAL/OFF	65	60015	1	CONNECTOR 90 DEGREE-3/8 GRNFLD
23	64009	1	LIGHT FAULT INDICATOR	67	C3021	2	WIRE CONNECTOR 1.5" DIA.
24	61945	1	SWITCH, VOLTAGE SELECTOR	68	C1915	1	CORNER POST, RH REAR (PANEL SUPPORT)
25	C1918	1	BRACE, REAR	69	22142	6	HHCS 5/16"-18 x 3/4
26	91172	1	CABLE, HEX KEY	70	22145	8	WASHER, FLAT-5/16"-M8
27	32300	1	HOLDER, FUSE	71	69173	1	BAR, BUS NEUTRAL STRAP
28	22668	1	FUSE, 30 AMP.	72	57073	2	STUD, JUNCTION BOX
29	*58710	2	CURRENT TRANSFORMER 200A/5A (1-PHASE)	73	33530	4	PHMS #10-32 x 5/8"
	58710	2	CURRENT TRANSFORMER 200A/5A (3-PHASE)	74	22237	3	WASHER, LOCK-3/8"
30	70081	1	HOUR METER	75	22129	8	WASHER, LOCK-5/16"-M8
31	70043	1	VOLTMETER DC (BATTERY)	76	22511	1	HHCS 3/8-16 x 1-1/4
32	57907	1	RESISTER 10 OHM	77	22241	4	HEX NUT 3/8-16
33	C2428	9	SWAGEFORM PPH #6-32 x 1/2"	78	22259	7	HEX NUT, 5/16-18
34	22264	9	WASHER, LOCK-M4	79	57329	1	LUG GROUND #6 AWG
35	70042	1	HERTZ METER 60HZ	80	98647	--	CONTROLLER
36	70045	1	AC AMMETER 0-200	81	54199	1	DECAL, HIGH VOLTAGE
37	71668	1	AC VOLTMETER 0-500	82	81988	1	DECAL, SET EXERCISE TIME
38	49939	1	RECTIFIER				* USE AS SINGLE PHASE
39	55444	1	HEAT SINK				
40	70370	1	WASHER, MICA				

Section 6 – Exploded Views and Parts Lists

**Guardian Liquid-cooled 35 kW and 40 kW Generators
Engine Common Parts – Drawing No. A4304-C**

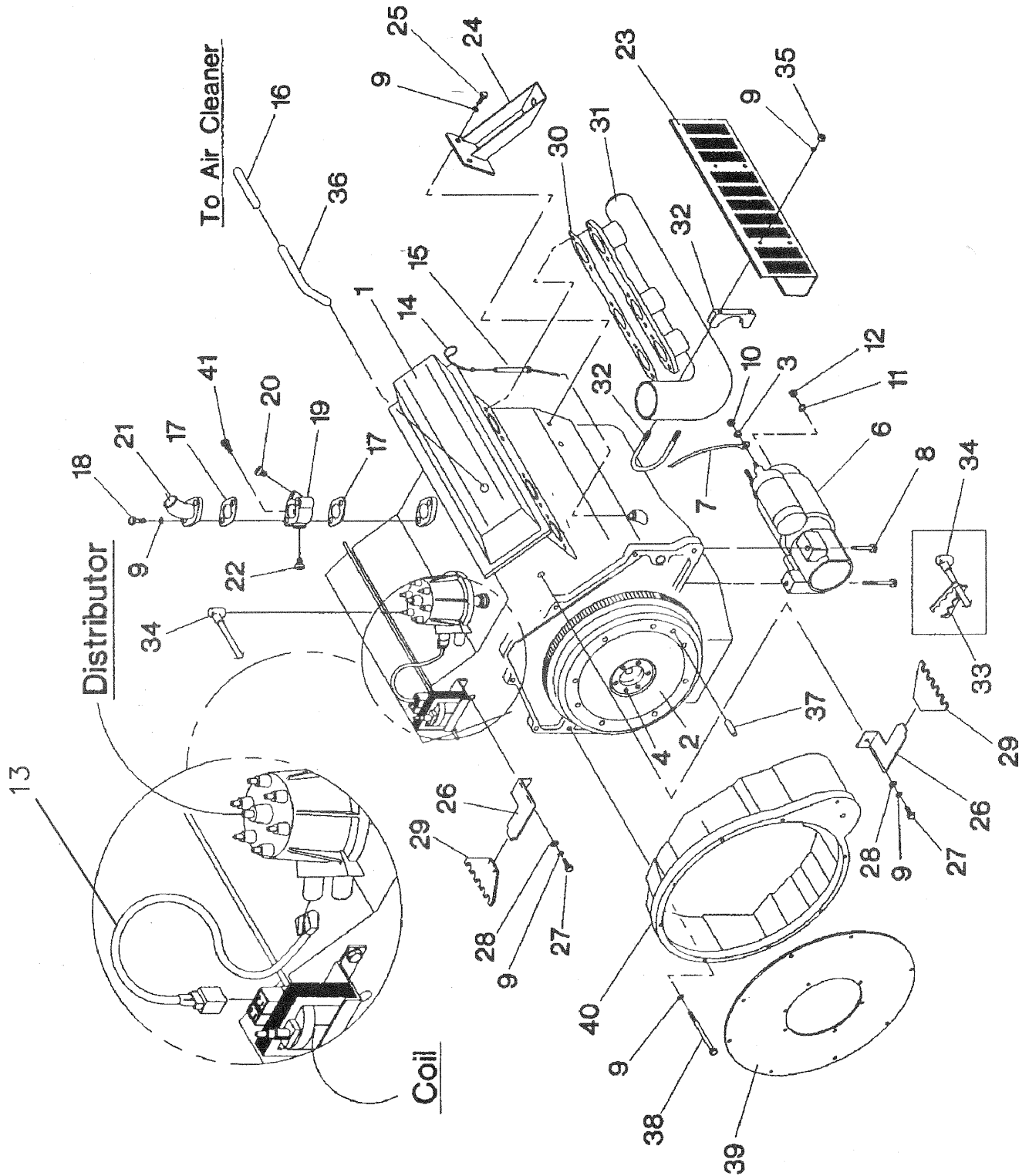


Section 6 – Exploded Views and Parts Lists
Guardian Liquid-cooled 35 kW and 40 kW Generators
Engine Common Parts – Drawing No. A4304-C

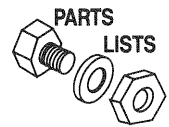


ITEM	PART NO.	QTY.	DESCRIPTION	ITEM	PART NO.	QTY.	DESCRIPTION
1	A9046	1	ENGINE, 4.3L VORTEC	23	A4241	1	PULLEY, IDLER
2	A4084	1	ENGINE MOUNT	24	C2885	1	PULLEY, TENSIONER
3	A4239	1	PULLEY, CRANKSHAFT	25	A4100G	1	SPACER
4	A4240	1	PULLEY, WATERPUMP	26	22131	9	FLAT WASHER, 3/8"-M10
5	A3876	1	FAN SPACER, 35KW UNITS ONLY	27	77456	1	ADAPTOR, M12-1.75 - 3/8" NPT
	A5640	1	FAN SPACER, 45KW UNITS ONLY	28	44117	1	BARB, 3/8 "NPT-5/8 BARB
6	A4243	1	FAN, 15"-35KW UNITS ONLY	29	57823	1	CLAMP, HOSE #10
	A5639	1	FAN, 17"-45KW UNITS ONLY	30	57448	1	HOSE, 5/8"-12" LONG
7	77996	1	CAP, ANTI-FREEZE	31	22129	8	LOCK WASHER, 5/16"
8	57823	1	CLAMP, HOSE #10		22097	4	LOCK WASHER-M6 (35KW)
9	35579	1	REDUCER, 1/4" NPT-1/8" NPT	32	22142	4	HEX HD. CAPSCR.-5/16"-18 x 3/4" (45KW)
10	37065	1	CAPSCR.,-HEX HD.-7/16"-20 x 2-1/4"		47411	4	HEX HD. CAPSCR.-M6-1.0 x 16 (35KW)
11	22302	1	LOCK WASHER-7/16"	33	48614	4	HEX HD. CAPSCR.-5/16"-24 x 3/4"
12	A8584	1	SWITCH, OIL PRESSURE	34	22237	15	LOCK WASHER, 3/8"
13	52644	1	SPACER, - .50-1.50	35	29745	7	HEX HD. CAPSCR.-3/8"-16 x 1
14	A4278A	1	SERPENTINE BELT,72-1/2"	36	42633	3	HEX HD. CAPSCR.-3/8"-24 x 1
15	A4930A	1	HEAT SHIELD, LEFT	37	33819	1	HEX HD. CAPSCR.-3/8"-16 x 4
16	A4085	1	GASKET, EXHAUST	38	22241	4	HEX NUT, 3/8"-16
17	A3927	1	MANIFOLD-LEFT EXHAUST	39	A5768	2	FLAT WASHER, M10 HEAVY
18	80762	2	U-BOLT & SADDLE	40	46526	5	LOCK WASHER, M10
19	A1232	1	DC ALTERNATOR	41	49814	2	HEX HD. CAPSCR.-M10-1.5 x 25
20	A4777	1	PULLEY, ALTERNATOR	42	C3756	1	HEX HD. CAPSCR.-M10-1.5 x 70
21	21928	1	BRACKET, ALTERNATOR SUPPORT	43	45772	2	HEX NUT, M10
22	A4187	1	BRACKET, ALTERNATOR MOUNTING				

Section 6 – Exploded Views and Parts Lists
Guardian Liquid-cooled 35 kW and 40 kW Generators
Engine Parts – Drawing No. A4305-B

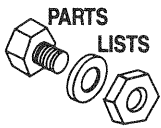


Section 6 – Exploded Views and Parts Lists
Guardian Liquid-cooled 35 kW and 40 kW Generators
Engine Parts – Drawing No. A4305-B



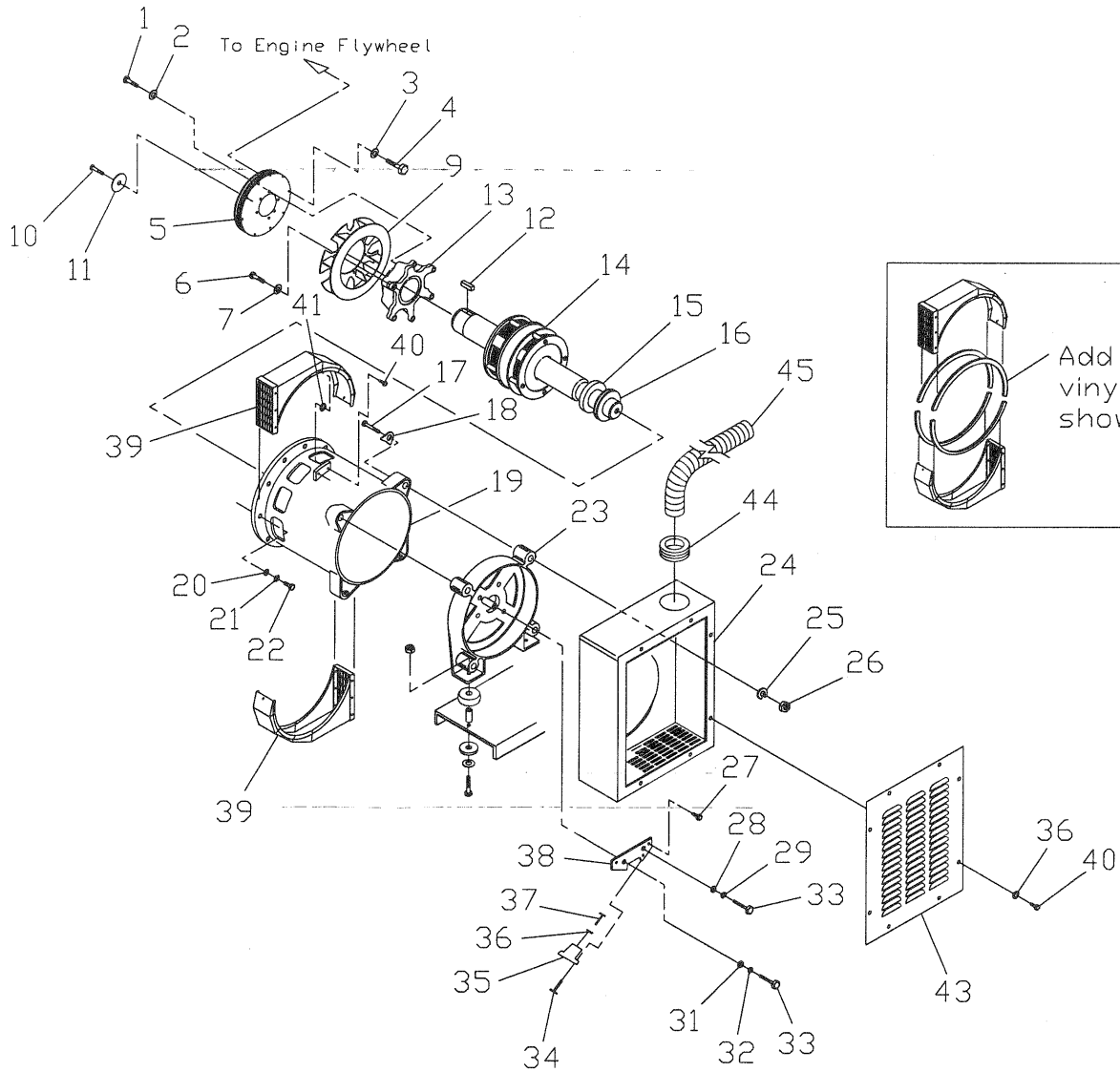
ITEM	PART NO.	QTY.	DESCRIPTION	ITEM	PART NO.	QTY.	DESCRIPTION
1	A9046	1	ENGINE, 4.3 LITER V6	23	A4930B	1	HEATSHIELD, R.H.
2	A3849A	1	FLYWHEEL	24	A4084	1	ENGINE MOUNT
3	70022	1	WASHER, LOCK-EXT. M12	25	29745	3	CAPSCR., HEX HD. 3/8"-16 X 1"
4	A6021	6	BOLT (FLYWHEEL)	26	44101	2	SUPPORT, SPARK PLUG WIRE
6	59056A	1	STARTER	27	23152	2	CAPSCR., HEX HD. 3/8"-16 X 3/4"
7	SEE NOTE	1	CABLE, BATTERY (RED)	28	22131	2	WASHER, FLAT - 3/8"
8	58385A	2	BOLT, STARTER	29	58030	2	RETAINER, SPARK PLUG WIRE
9	22237	17	WASHER, LOCK - 3/8"	30	A4085	1	GASKET, EXHAUST
10	45772	1	NUT, HEX - M10-1.50	31	A3928	1	MANIFOLD, R.H. EXHAUST
11	49226	1	WASHER, LOCK - M5	32	80762	2	U-BOLT & SADDLE
12	51716	1	NUT, HEX - M5-0.80	33	57794	2	RETAINER, SPARK PLUG WIRES
13	A4244	1	CONNECTOR, COIL DISTRIBUTOR	34	A4277	1	SET-SPARK PLUG WIRE
14	A4215	1	DIPSTICK, OIL LEVEL	35	22241	4	NUT, HEX 3/8"-16
15	A4231	1	TUBE, OIL DIPSTICK	36	57795	1	CONNECTOR
16	59057	1	TUBING, 3/4" I.D. X 10" LG.	37	48191	2	DOWEL PIN - M10 X 24
17	A2440	2	GASKET, THERMOSET	38	32303	6	CAPSCR., HEX HD. 3/8"-16 X 3.5"
18	26568	2	CAPSCREW, HEX HD. 3/8"-16 X 2-3/4"	39	A3852	3	FLEX PLATE
19	99729	1	HOUSING, SENSOR/THERMOSTAT	40	98239	1	ADAPTER CASTING, SAE3
20	53667	1	SENDER, TEMPERATURE	41	57522	1	WATER LEVEL SENSOR
21	69939	1	HOUSING, THERMOSTAT/WATER INLET				
22	35606	1	SWITCH, HIGH COOLANT				
				*	A4308	1	ENGINE HARNESS (NOT SHOWN)

NOTE: ITEM 7 IS FOR REFERENCE ONLY. SEE DRAWING NUMBER A6708 FOR SPECIFIC PART NUMBER.

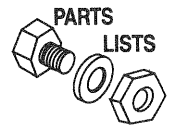


Section 6 – Exploded Views and Parts Lists

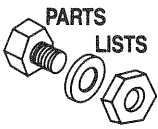
Guardian Liquid-cooled 35 kW and 40 kW Generators
Generator – Drawing No. C2155-A



Section 6 – Exploded Views and Parts Lists
Guardian Liquid-cooled 35 kW and 40 kW Generators
Generator – Drawing No. C2155-A

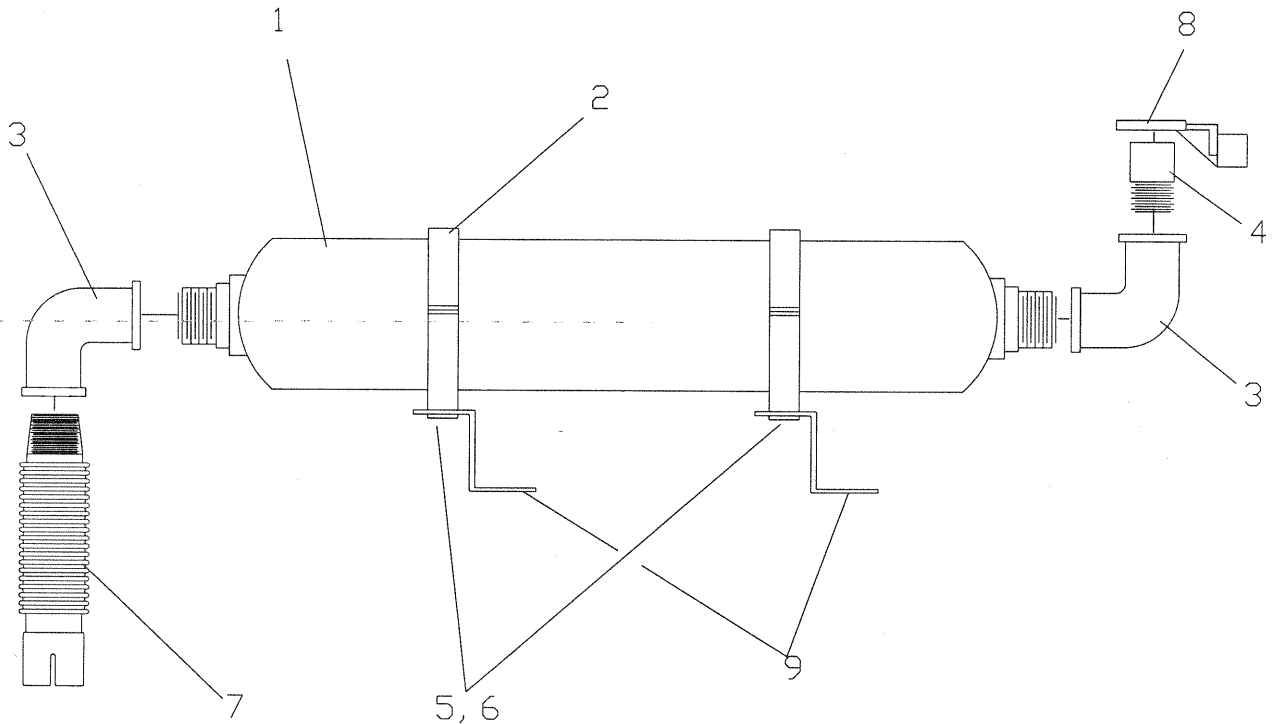


ITEM	PART NO.	QTY.	DESCRIPTION	ITEM	PART NO.	QTY.	DESCRIPTION
1	51768	6	CAPSCR. HEX HD. M12-1.75 x 25	21	46526	12	LOCK WASHER M10
2	51769	6	LOCK WASHER-M12	22	57642	12	CAPSCR., HEX HD.-M10-1.5 x 40
3	22237	8	LOCK WASHER-3/8"	23	68113	1	REAR BEARING CARRIER
4	43097	8	CAPSCR. SOCKET HD.-3/8"-16 x 1"	24	C1974	1	LOWER CONTROL PANEL
5	A3852	3	FLEX PLATE GM 4.3L, 5.7L & 7.4L	25	43123	4	LOCK WASHER M14
6	39253	6	CAPSCR. HEX HD.-M8-1.25 x 20	26	51779	4	HEX NUT M14-2.0
7	22129	6	LOCL WASHER-5/16"-M8	27	46852	1	TAPTITE #10-32 x 1/4" LONG
9	A5526	1	FAN ASSEMBLY	28	22250	1	FLAT WASHER M12
10	A2601	1	CAPSCR. HEX HD.-M6-2.0 x 45	29	51769	1	LOCK WASHER M12
11	A2602	1	WASHER 3.25" O.D. x .69" I.D.	31	22145	1	FLAT WASHER M8
12	A1138	1	KEY 3/8" SQ. x 2.50" LONG	32	22129	1	LOCK WASHER M8
13	21941	1	DRIVE HUB	33	57821	5	CAPSCR., HEX HD.-M8-1.25 x 40
14	20807A	1	ROTOR, 390, 35KW, 1P, DIR	34	A24044A	2	BRUSH
	20808A	1	ROTOR, 390, 40KW, 1P, DIR	35	23877D	4	BRUSH HOLDER
	20812C	1	ROTOR, 390, 35KW, BRDRNG, DIR	36	22155	12	LOCK WASHER #6
	20812F	1	ROTOR, 390, 40KW, 3P, LV, DIR	37	25105	4	ROUND HD. SCREW #6-32 x 1/4"
15	52624	1	BEARING	38	71639	1	BRUSH HOLDER SUPPORT
16	70892	1	SLIP RING	39	A4089	1	SCROLL ASSEMBLY
17	65477	4	CAPSCR., HEX HD.-M14-2.0 x 150	40	A7215	10	1/4"-20 x 5/8" FASTENER
18	A1633	4	WASHER, 390 SAE ALT.	41	22473	2	FLAT WASHER 1/4"-M6
19	20728A	1	STATOR, 390, 35KW, 1P, DIR	42	56326	8.4'	VINYL TRIM 1/8" GP
	20729A	1	STATOR, 390, 40KW, 1P, DIR	43	C1989	1	PANEL, REAR COVER
	20718C	1	STATOR, 390, 35KW, BRDRNG, DIR	44	C3021	1	CONNECTOR 1.5" I.D.
	20718F	1	STATOR, 390, 40KW, 3P, LV, DIR	45	C3015	12"	FLEX CONDUIT 1.50" O.D.
20	22131	12	FLAT WASHER 3/8"-M10				



Section 6 – Exploded Views and Parts Lists

Guardian Liquid-cooled 35 kW and 40 kW Generators
Muffler – Drawing No. A4620-C

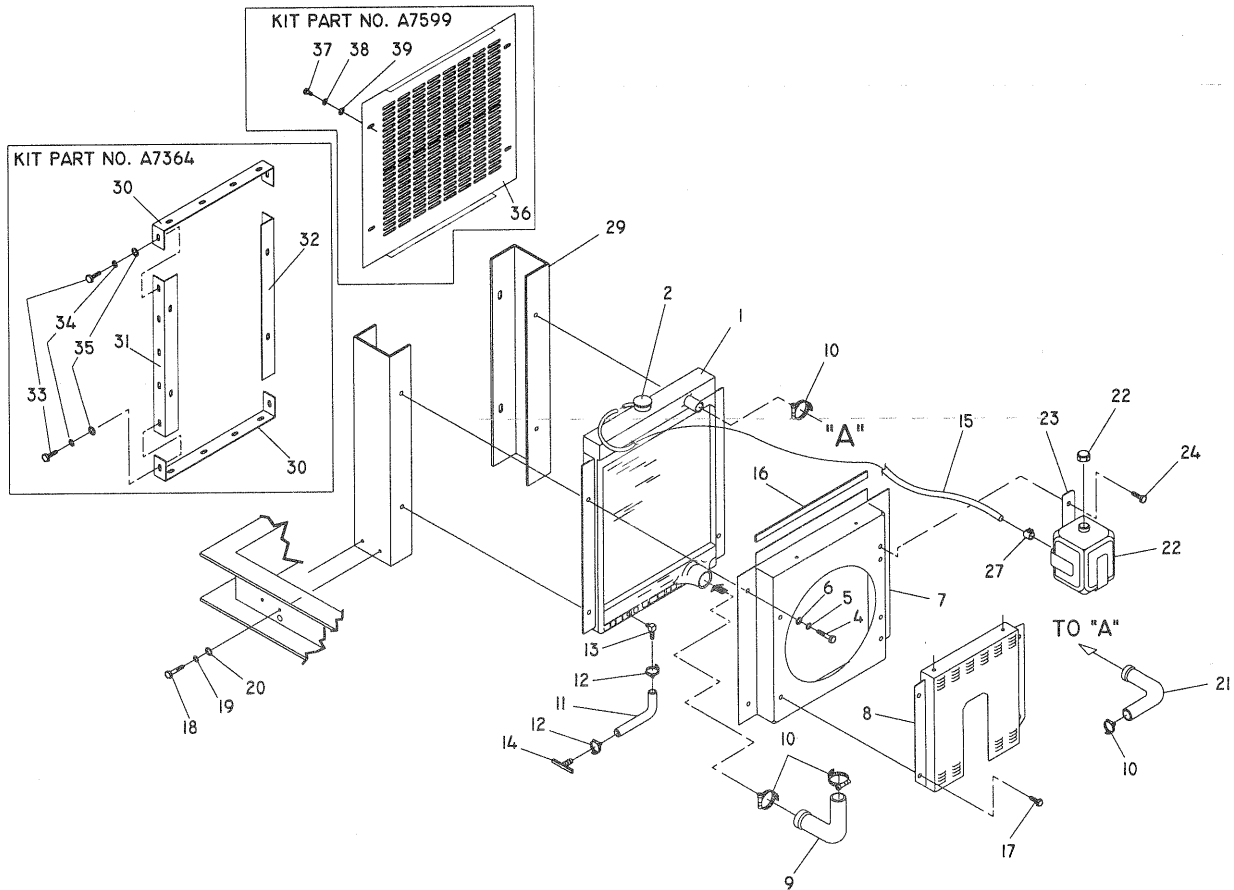


ITEM	PART NO.	QTY.	DESCRIPTION
------	----------	------	-------------

1	59937	2	MUFFLER, EXHAUST
2	60366	4	STRAP, MUFFLER MOUNTING
3	59933	2	ELBOW-2" NPT
4	59109	2	NIPPLE-2" NPT x 9" LONG
5	39253	8	CAPSCR., HEX HEAD-M8-1.25 x 20
6	52858	8	NUT, LOCKING M8-1.25
*7	A4621A	2	PIPE, FLEXIBLE EXHAUST-2" NPT(DIRECT COUPLED)
	A4621B	2	PIPE, FLEXIBLE EXHAUST-2" NPT(GEARBOX-NON GUARDIAN)
8	59939	2	CAP, RAIN
9	68932	4	MUFFLER, SUPPORT

* STD and GUARDIAN UNIT

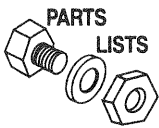
Section 6 – Exploded Views and Parts Lists
Guardian Liquid-cooled 35 kW and 40 kW Generators
Radiator – Drawing No. A4931-F



ITEM	PART NO.	QTY.	DESCRIPTION
1	68928	1	RADIATOR-14 FIN PER INCH
2	46627	1	CAP, RADIATOR
4	24655	4	1/4"-20 x 1" TAPTITE HHCS
5	22097	4	LOCK WASHER 1/4"
6	22473	4	FLAT WASHER 1/4"
7	97246A	1	VENTURI-35KW
	97246B	1	VENTURI-45KW
8	A5397	1	GUARD, FAN
9	A4375	1	HOSE, RADIATOR LOWER
10	35685	4	CLAMP, HOSE #28
11	47290	1	HOSE 3/8" I.D. x 16" LONG
12	40173	2	CLAMP, HOSE #5
13	49340	1	FITTING, BARBED 90 DEG. 1/4" x 3/8"
14	36865	1	PETCOCK
15	29032	1	HOSE 9/32" I.D. x 46" LONG
16	52250	2	TAPE, FOAM-1" SQ. x 2.4' LONG
17	58443	9	SCREW (CRIMPTITE)-1/4"-20 x 5/8"
18	29745	4	CAPSCR., HEX HD.-3/8"-16 x 1"
19	22237	4	LOCK WASHER 3/8"
20	22131	4	FLAT WASHER 3/8"

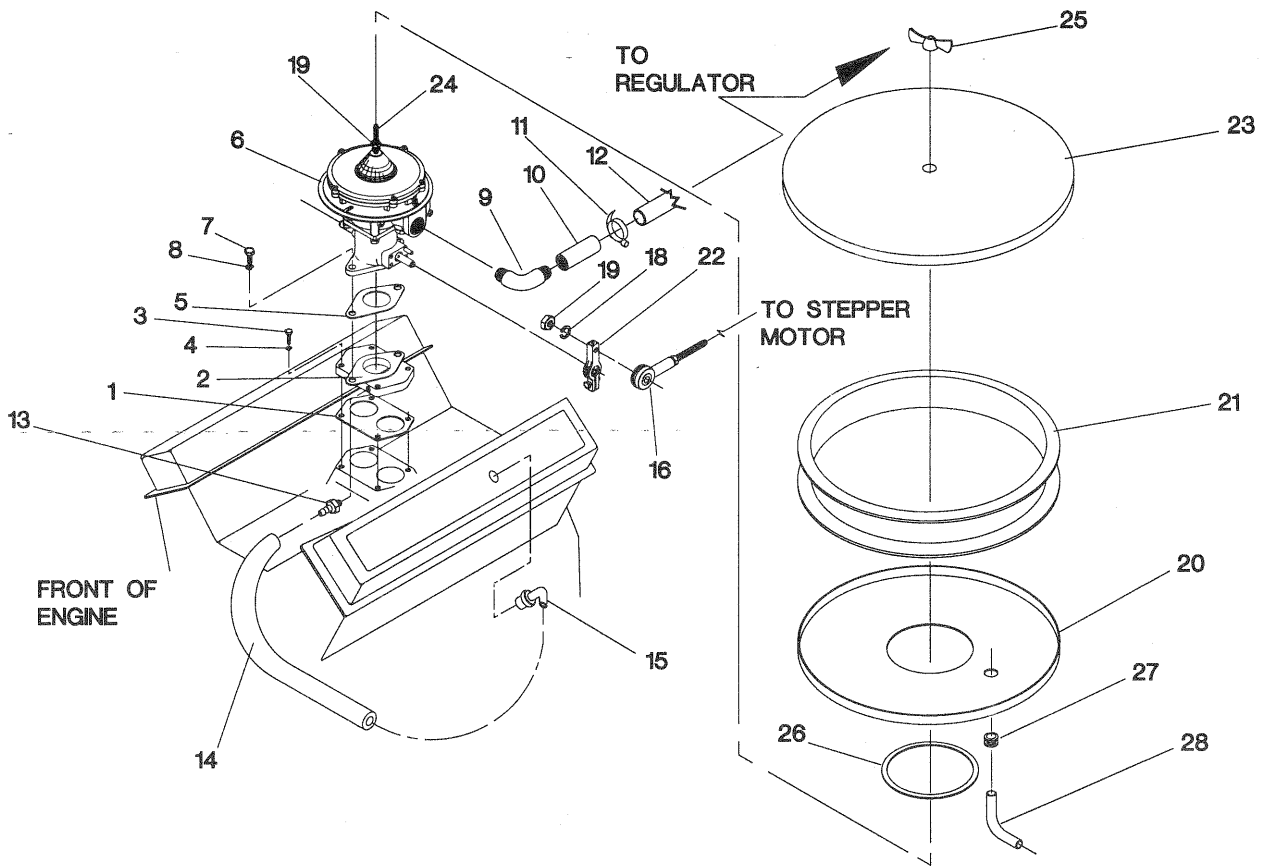
ITEM	PART NO.	QTY.	DESCRIPTION
21	A4374	1	HOSE, RADIATOR UPPER
22	76749	1	BOTTLE, COOLANT RECOVERY
23	80712	1	BRACKET, COOLANT RECOVERY
24	90388	1	M6-1.0 x 12 TAPTITE
27	83709	1	SPRING CLAMP, HOSE #9
29	A3187C	2	SUPPORT-RADIATOR
30*	A6984	2	BRACKET, AIR DUCT TOP/BOTTOM
31*	A6982	1	BRACKET, AIR DUCT R.H. SIDE
32*	A6983	1	BRACKET, AIR DUCT L.H. SIDE
33*	22413	8	CAPSCR., HEX HD.-1/4"-20 x 1"
34*	22097	8	LOCK WASHER 1/4"
35*	22473	8	FLAT WASHER 1/4"
36**	A6190	1	STONE GUARD
37**	24655	4	1/4"-20 x 1" TAPTITE HHC
38**	22097	4	LOCK WASHER 1/4"
39**	22473	4	FLAT WASHER 1/4"

* OPTIONAL WITH KIT A7464
 ** OPTIONAL WITH KIT A7599



Section 6 – Exploded Views and Parts Lists

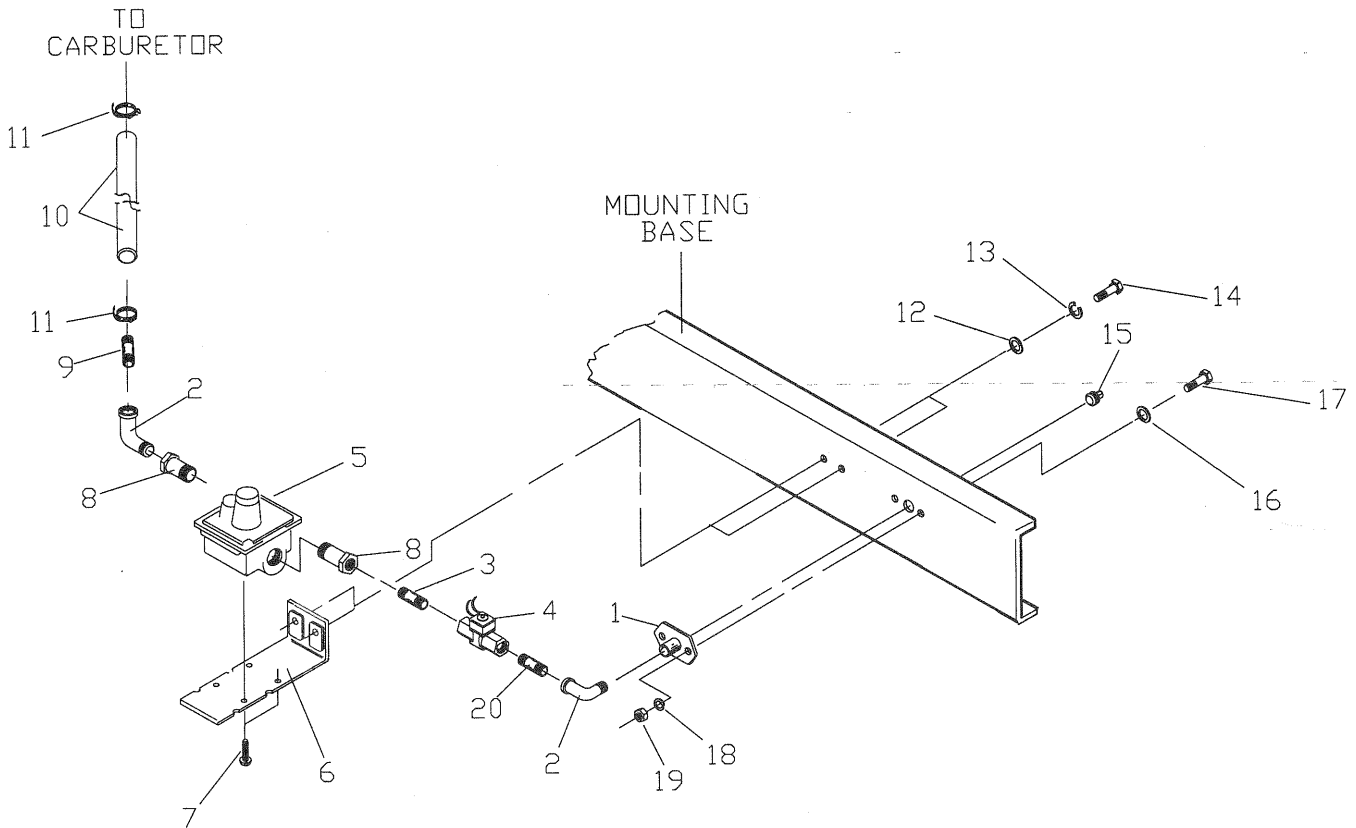
Guardian Liquid-cooled 35 kW and 40 kW Generators
Carburetor – Drawing No. A5764-A



ITEM	PART NO.	QTY.	DESCRIPTION
1	64945	1	GASKET
2	A4120	1	ADAPTOR, CARBURETOR
3	33212	4	CAPSCREW, HEX HEAD 5/16"-18 X 1-1/4"
4	22129	4	WASHER, LOCK - 5/16"
5	52865	1	GASKET
6	57306	1	CARB., (NAT. GAS + VAPOR)
	55492	1	CARB., (LPG LIQUID)
7	29745	2	CAPSCREW, HEX HEAD 3/8"-16 X 1"
8	22237	2	WASHER, LOCK - 3/8"
9	26307	1	ELB, STREET - 3/4" NPT
10	28641	1	NIPPLE, PIPE (THREADED ONE END)- 3/4" NPT X 2" LG.
11	57824	1	CLAMP, HOSE - #16
12	57422	1	HOSE, 1" I.D. X 44" LONG (NATURAL GAS + VAPOR)
	57422	1	HOSE, 1" I.D. X 12" (LPG LIQUID)

ITEM	PART NO.	QTY.	DESCRIPTION
13	44074	1	BARB., 1/8 NPT - 3/8 BARB
14	47290	1	HOSE, 3/8-9" LONG
15	A4121	1	PVC VALVE
16	82508	1	BALL JOINT
18	22097	1	WASHER, LOCK - 1/4"
19	36409	2	NUT, HEX - 1/4"-28
20	A4632B	1	BOTTOM, AIR CLEANER
21	A4637	1	ELEMENT, AIR CLEANER
22	A5763	1	ARM THROTTLE
23	A4632A	1	COVER, AIR CLEANER
24	62522	1	STUD - 1/4"-20 X 3" LONG
25	37561	1	NUT, WING - 1/4"-20
26	61258	1	GASKET
27	57796	1	GROMMET
28	57795	1	CONNECTOR

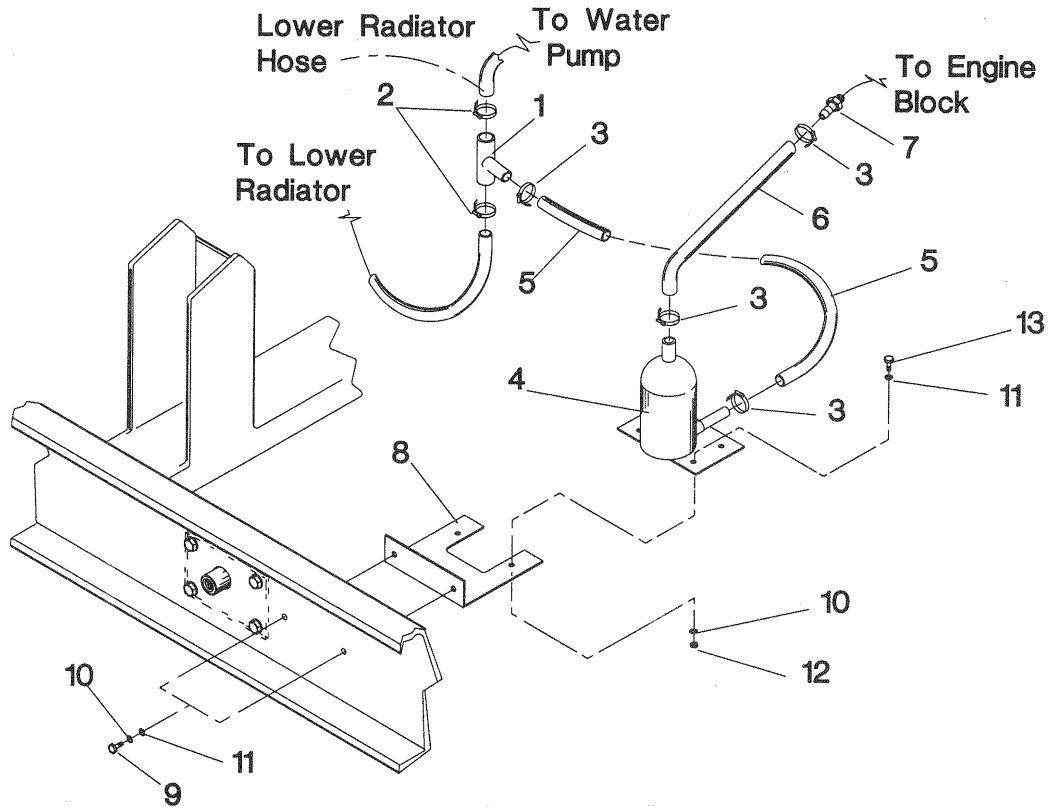
Section 6 – Exploded Views and Parts Lists
Guardian Liquid-cooled 35 kW and 40 kW Generators
Regulator – Drawing No. 76172-B



ITEM	PART NO.	QTY.	DESCRIPTION
1	65907	1	SUPPORT, SOLENOID
2	26307	2	STREET ELBOW, 3/4" NPT
3	26490	1	NIPPLE, 3/4" NPT x 2" LONG
4	43768A	1	SOLENOID
5	55944	1	REGULATOR
6	67018	1	SUPPORT, REGULATOR
7	61910	4	TAPTITE #10-32 x 3/4" LONG
8	26577	2	REDUCER, 1" TO 3/4" NPT
9	28641	1	TOE NIPPLE-3/4" NPT x 2" LONG
10	57422	1	HOSE-1" I.D. x 44" LONG

ITEM	PART NO.	QTY.	DESCRIPTION
11	57824	2	CLAMP, HOSE #16
12	22145	2	FLAT WASHER-5/16"
13	22129	2	LOCK WASHER-5/16"
14	30795	2	CAPSC., HEX HD.-5/16-18 x 1"
15	25655	1	PLUG, PIPE
16	22132	2	FLAT WASHER-M14
17	51778	2	CAPSC., HEX HD.-M14-2.00 x 25
18	43123	2	LOCK WASHER-M14
19	51779	2	NUT, HEX-M14-2.00
20	26915	1	CLOSE NIPPLE 3/4"

Section 6 – Exploded Views and Parts Lists
Guardian Liquid-cooled 35 kW and 40 kW Generators
Engine Coolant Heater – Drawing No. 87434-B

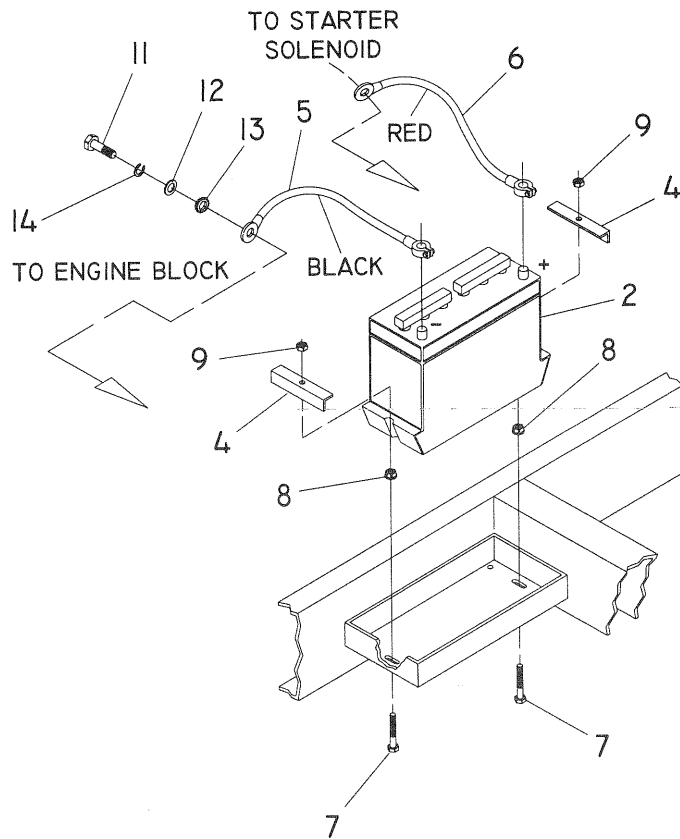
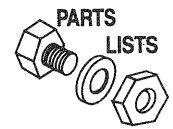


ITEM PART NO. QTY. DESCRIPTION

ITEM	PART NO.	QTY.	DESCRIPTION
1	80723	1	TEE, HOSE CONNECTION
2	35685	2	CLAMP, HOSE #28
3	57822	4	CLAMP, HOSE #8
4	84918C	1	HEATER, ENGINE 1800W 120V
	*84918D	1	HEATER, ENGINE 2000W 240V
5	50967	32"	HOSE, COOLANT 5/8" I.D.
6	A6283	1	HOSE, HEATER
7	53660	1	FITTING, BARBED ST. 1/4" NPT X 5/8 I.D.
8	84427	1	BRACKET, ENGINE HEATER
9	47411	2	CAPSCREW, HEX HD. - M6-1.0 X 16MM LONG
10	22097	4	WASHER, LOCK - M6
11	22473	4	WASHER, FLAT - M6
12	49813	2	NUT, HEX - M6-1.00
13	42568	2	CAPSCREW, HEX HD. - M6-1.0 X 20MM

* USED ON "R" VOLTAGE GENERATORS ONLY

Section 6 – Exploded Views and Parts Lists
Guardian Liquid-cooled 35 kW and 40 kW Generators
Battery – Drawing No. A6708-B



ITEM PART NO. QTY. DESCRIPTION

2	58665	1	BATTERY-TYPE 27F (OPTIONAL)
4	59473	2	HOLD-DOWN, BATTERY
5	38805-Y	1	CABLE, BATTERY (BLACK)-16" LONG
6	38804-N	1	CABLE, BATTERY (RED)-15" LONG
	38804-T	1	CABLE, BATTERY (RED)-31" LONG (GEAR BOX-NON-GUARDIAN UNITS)
7	51731	2	CAPSCREW, HEX HEAD-M8-1.25 x 50MM
8	52858	2	NUT, HEX LOCK-M8-1.25
9	49820	2	NUT, HEX LOCK-(NYLON INSERT)-M8-1.25
11	29745	1	CAPSCREW, HEX HEAD-3/8"-16 x 1" LONG
12	22131	1	WASHER, FLAT-3/8"
13	25507	1	WASHER, SHAKE-PROOF-7/16"
14	22237	1	WASHER, LOCK-3/8"



Section 7 – Installation Drawings

Guardian Liquid-cooled 35 kW and 40 kW Generators
Installation Drawing – Drawing No. C2160-A

