

# GENERAC<sup>®</sup>

POWER SYSTEMS, INC.

## Owner's Manual

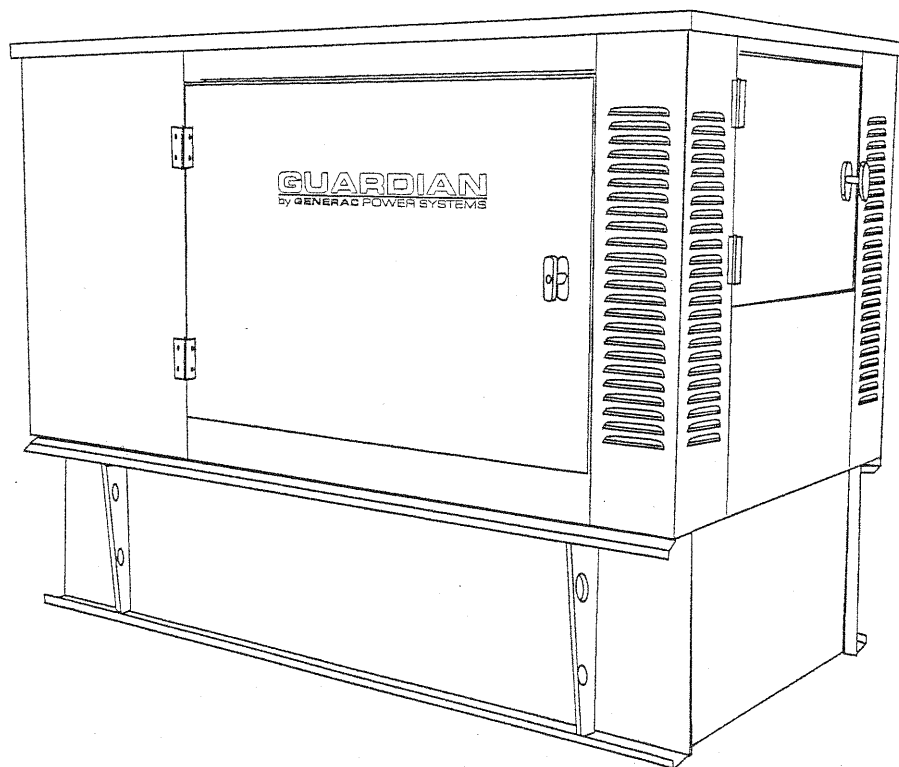
**GUARDIAN<sup>®</sup>**  
by GENERAC<sup>®</sup> POWER SYSTEMS

Liquid-cooled, Prepackaged  
Standby Generators

Models:

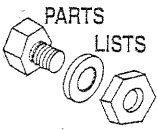
04136-0 (8 kW/Single-phase)

04137-0 (8 kW/Three-phase)



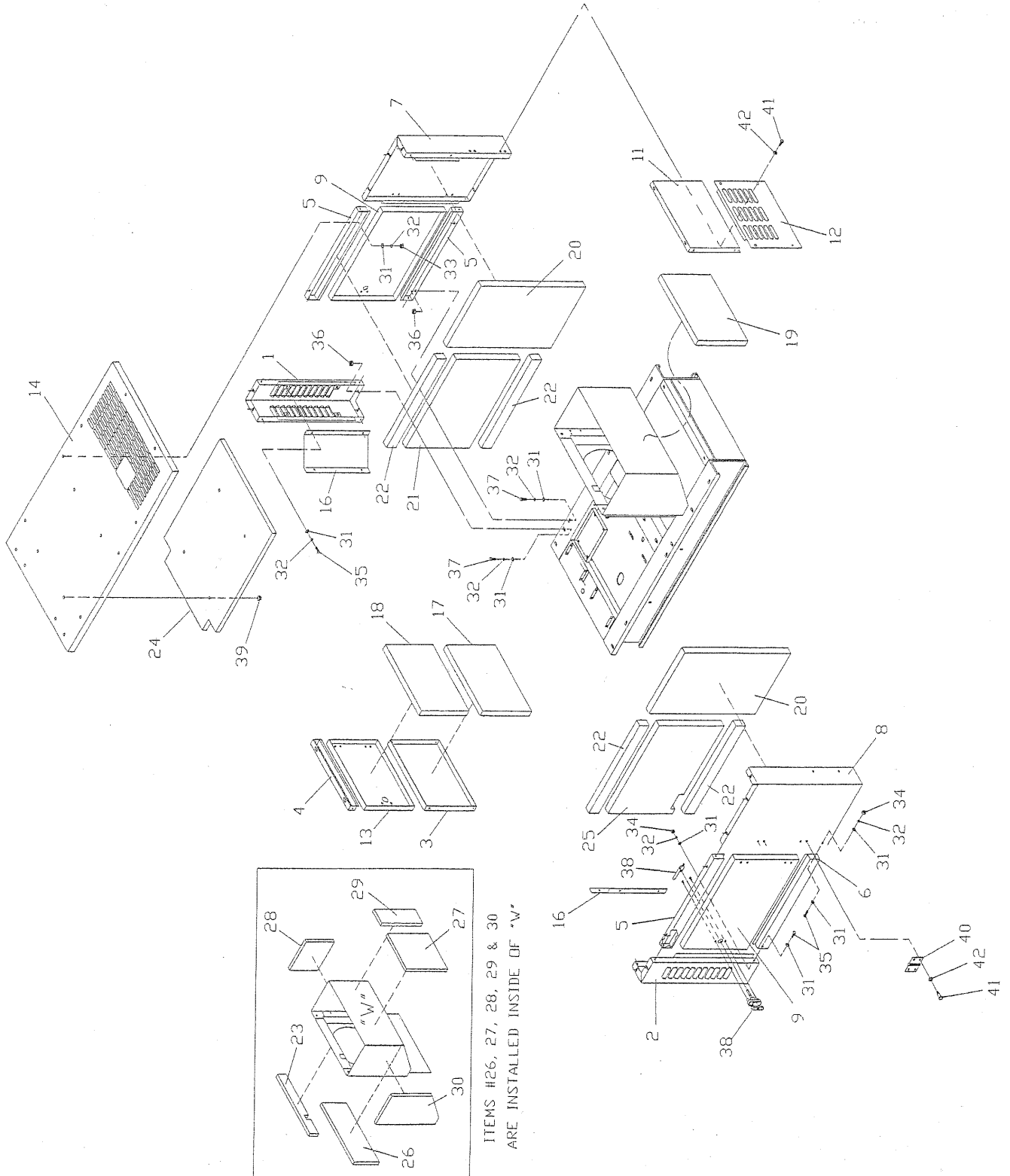
—▲ **DANGER** ▲—

ONLY QUALIFIED ELECTRICIANS OR CONTRACTORS  
SHOULD ATTEMPT INSTALLATION!!



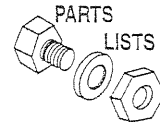
## Section 6 — Exploded Views and Parts Lists

Guardian Liquid-cooled 8 kW Generators  
Compartment — Drawing No. C2436-B



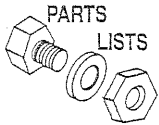
Section 6 – Exploded Views and Parts Lists

Guardian Liquid-cooled 8 kW Generators  
Compartment – Drawing No. C2436-B



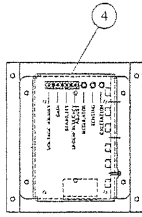
ITEM	PART NO.	QTY.	DESCRIPTION	ITEM	PART NO.	QTY.	DESCRIPTION
1	*C2433	1	CORNER POST, LH. REAR	24	C2755P	1	ROOF, TOP (INSUL.)
2	*C2434	1	CORNER POST, RH. REAR	25	C2755M	1	DOOR, RIGHT SIDE (INSUL.)
3	A3443	1	PANEL, REAR BOTTOM	26	C2755G	1	AIR DUCT, BOTTOM (INSUL.)
4	A3444	1	PANEL, REAR TOP	27	C2755H	1	AIR DUCT, FRONT RH. (INSUL.)
5	A3445	3	PANEL, SIDE	28	C2755J	1	AIR DUCT, LH. SIDE (INSUL.)
6	A3446	1	PANEL, RH. SIDE BOTTOM	29	C2755K	1	AIR DUCT, FRONT LH. (INSUL.)
7	A3447	1	CORNER POST, LH. FRONT	30	C2755L	1	AIR DUCT, RH. SIDE (INSUL.)
8	A7198	1	CORNER POST, RH. FRONT	31	22473	50	FLAT WASHER-M6-1/4"
9	A3449	2	DOOR, SIDE	32	22097	32	LOCK WASHER-M6-1/4"
11	A3451	1	PANEL, FRONT TOP	33	22127	6	NUT, HEX-1/4"-20
12	A7197	1	PANEL, FRONT	34	49813	18	NUT, HEX-M6-1.0
13	A3453	1	DOOR, REAR	35	42568	18	CAPSCR.,HEX HD.-M6-1.0 x 20 LONG
14	A3454	1	TOP, ROOF	36	67577	16	SPEED NUT-1/4"-20
16	*C2435	1	DUCT, RH. REAR CORNER POST	37	22413	16	CAPSCR., HEX HD.-1/4"-20 x 1
	*C2435A	1	DUCT, LH. REAR CORNER POST	38	67042	4	LATCH & CAM
17	C2755A	1	PANEL, REAR BOTTOM (INSUL.)	39	78115	4	WASHER, SELF LOCK/DOME
18	C2755B	1	DOOR, REAR (INSUL.)	40	A3133A	2	HINGE, SLIP-MALE L.H.
19	C2755C	1	DOOR, FRONT (INSUL.)		A3133B	2	HINGE, SLIP-FEMALE L.H.
20	C2755D	2	CORNER POST, FRONT (INSUL.)		A3133C	4	HINGE, SLIP-MALE R.H.
					A3133D	4	HINGE, SLIP-FEMALE R.H.
21	C2755E	1	DOOR, LEFT SIDE (INSUL.)	41	A3359	40	BHSCS-M6 x 16 S.S.
22	C2755F	4	PANEL, SIDE (INSUL.)	42	A3360	40	SHAKEPROOF, INT.-M6 S.S.
23	C2755N	1	VENTURI, TOP (INSUL.)				

\* FOR REF. ONLY (SEE C2438 CONTROL PANEL FOR  
DETAILS)

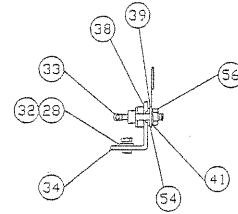
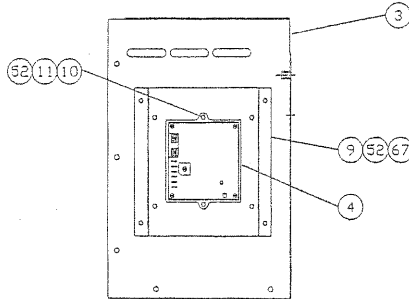


## Section 6 — Exploded Views and Parts Lists

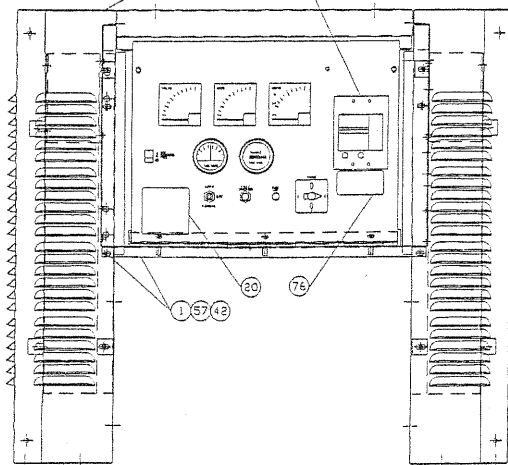
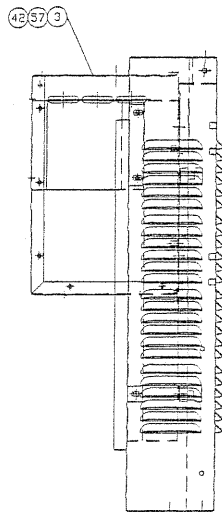
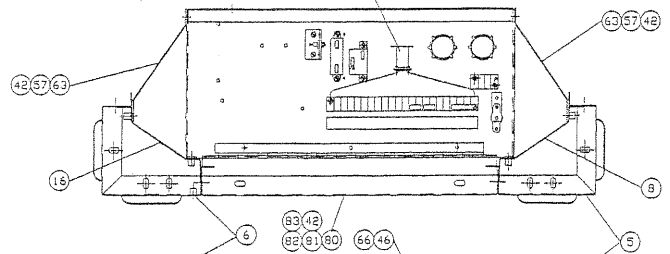
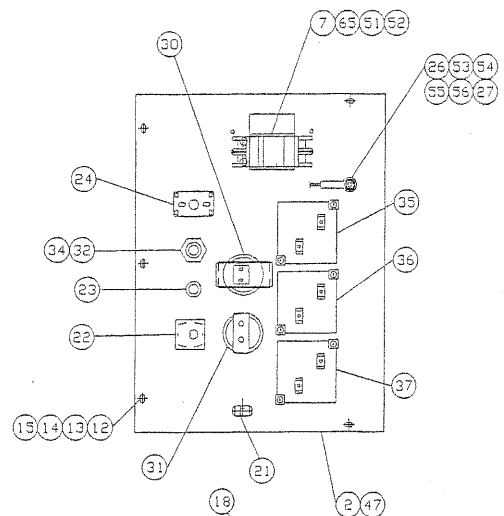
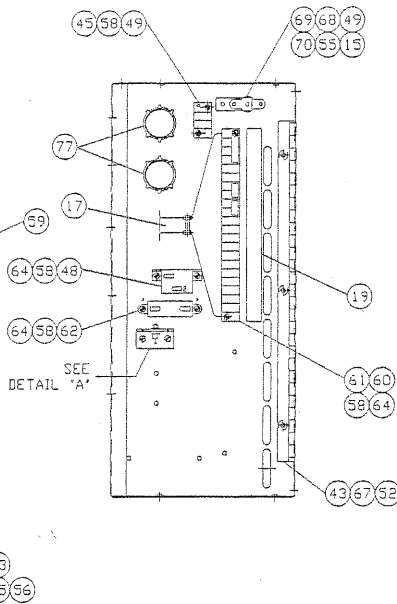
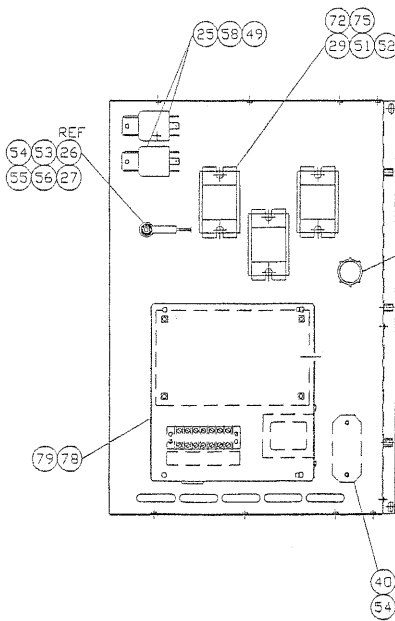
Guardian Liquid-cooled 8 kW Generators  
Control Panel — Drawing No. C2438-B



#67680 VOLT. REG. SHOWN IN THIS VIEW  
IS USED ON 3Ø UNIT ONLY

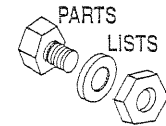


DETAIL A

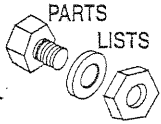


Section 6 – Exploded Views and Parts Lists

Guardian Liquid-cooled 8 kW Generators  
Control Panel – Drawing No. C2438-B



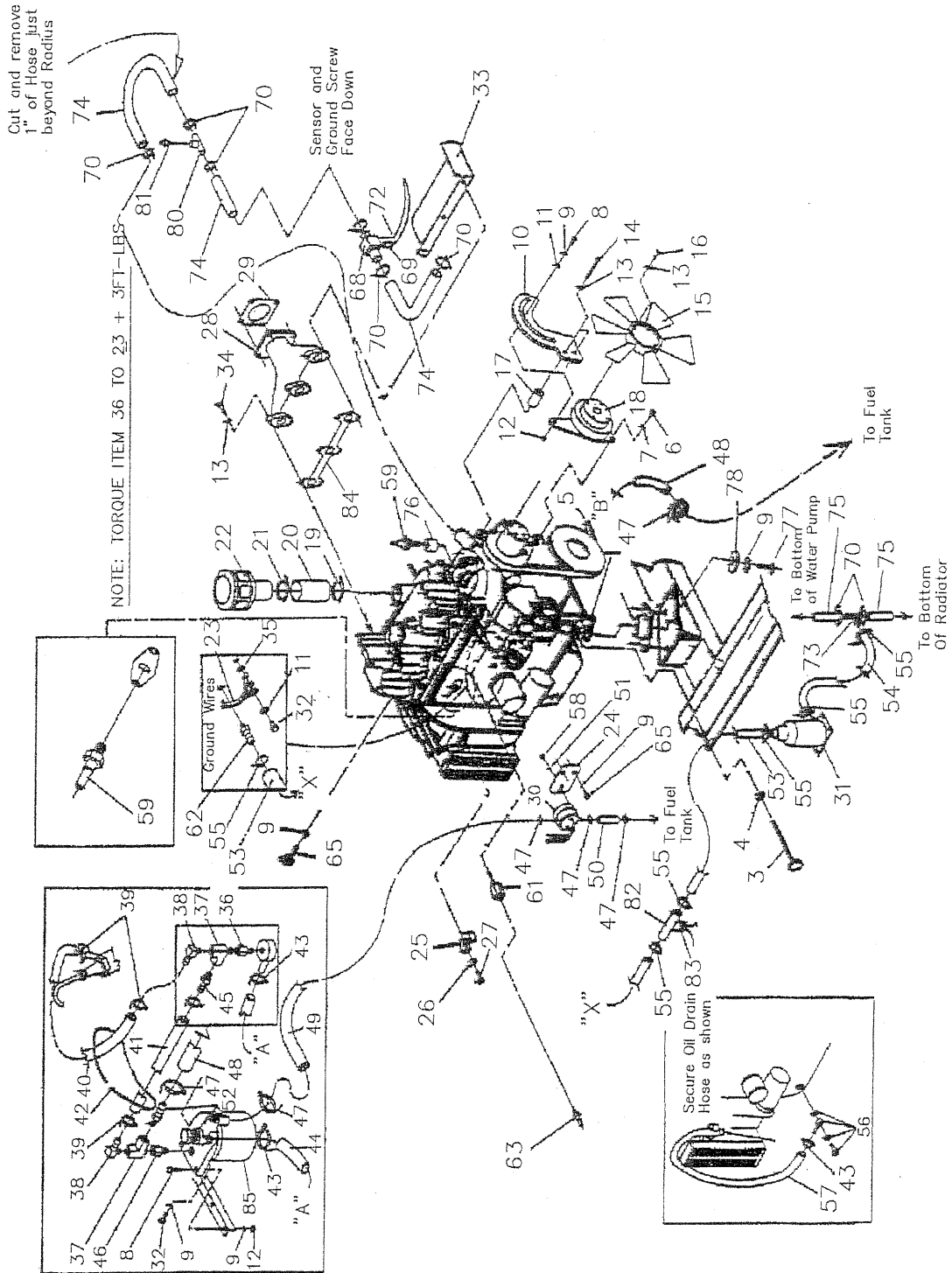
ITEM	PART NO.	QTY.	DESCRIPTION	ITEM	PART NO.	QTY.	DESCRIPTION
1	C2430	1	CONTROL PANEL BACK/ BOTTOM	35	70042	1	HERTZ METER 60HZ
2	C2719	1	SILKSCREEN-CONTROL PANEL	36	70045	1	AC AMMETER 0-200
3	C2431	1	CONTROL PANEL L.H. SIDE	37	71668	1	AC VOLTMETER 0-500
	C2431A	1	CONTROL PANEL R.H. SIDE	38	70370	1	WASHER, MICA
4	83048	1	VOLTAGE REGULATOR 1-PHASE 60HZ	39	30468	1	STEP, WASHER NYLON
	67680	1	VOLTAGE REGULATOR 3-PHASE 60HZ	40	71938A	1	VOLTAGE REGULATOR, D.C.
5	C2434	1	CORNER POST, RH REAR (PANEL SUPPORT)	41	23762	1	WASHER, EXTERNAL SHAKE- PROOF
6	C2433	1	CORNER POST, LH REAR (PANEL SUPPORT)	42	22097	22	WASHER, LOCK 1/4"
7	77906	1	CIRCUIT BREAKER-MAIN (35A-2P-BQ2)	43	C1914A	1	HINGE CONTROL PANEL
	57906	1	CIRCUIT BREAKER-MAIN (35A-3P-BQ3)	45	48766	1	BLOCK TERMINAL (2)
8	C2435	1	DUCT, R.H. R.R. CORNER	46	56967	2	PLUG, PLASTIC .37
9	75589	1	BRACKET, VOLTAGE REGULATOR	47	79246	4	HHCS M6-1.0 x 16 LG. W/LOCK WASHER
10	76039	2	SCREW, PPHM M5-.8 x 40MM	48	48468	1	CIRCUIT BREAKER 8A
11	51716	2	HEX NUT M5-0.8	49	22155	14	#6 LOCK WASHER
12	90426	3	PPHMS #10-32 x 3/8" S.S.	51	22142	4	HHCS 5/16"-18 x 3/4"
13	90427	3	FLAT WASHER #10	52	22145	4	WASHER FLAT 5/16"-M8
14	40295	3	LOCK WASHER #10	53	33121	2	#10-32 x 1/2" LG. HEX HD MACH. SCREW
15	40292	5	HEX NUT #10-32	54	22152	5	#10 LOCK WASHER
16	C2435A	1	DUCT, LH REAR (CORNER POST)	55	23897	6	#10 FLAT WASHER
17	C2515	1	HARNESS, CONTROL PANEL "P"	56	22158	5	#10-32 HEX NUT
18	29333	4	TIE WRAP 7" LG.	57	A2419	24	SWG FASTENER 1/4"-20 x 1/2" LG.
19	76061	1	DECAL, TERMINAL STRIP	58	C2428	12	SWG FASTENER #6-32 x 1/2" LG.
20	81988	1	DECAL SET EXERCISE TIME	59	34616	1	STRAIGHT CONNECTOR
21	82573	1	SWITCH ROCKER (SET EXERCISE TIME)	60	57335	1	TERMINAL BLOCK
22	76020	1	SWITCH-AUTO/MANUAL/OFF	61	46669	7	JUMPER, TERMINAL BLOCK
23	64009	1	LIGHT FAULT INDICATOR	62	57907	1	RESISTOR, 10 OHM
24	61945	1	SWITCH, VOLTAGE SELECTOR	63	C2484	2	BRACKET, PANEL SUPPORT
25	A2560	1	RELAY 1P 50A/12V	64	22264	7	WASHER, LOCK M4
26	C5454	1	CABLE, NYLON CONTROL PANEL	65	39782	1	BRACKET, CIRCUIT BREAKER
27	22473	2	WASHER, FLAT 1/4"	66	75545	1	COVER, CIRCUIT BREAKER
28	55349	1	INSULATOR	67	C2265	9	SWG FASTENER M4-0.7 x 12 LG.
29	58568	2	CURRENT TRANSFORMER 50/5 (1 PHASE)	68	61979	1	BAR, BUS NEUTRAL STAP
	58568	3	CURRENT TRANSFORMER 50/5 (3 PHASE)	69	57073	1	STUD, JUNCTION BOX
30	70081	1	HOUR METER	70	33530	2	PHMS #10-32 x 5/8"
31	70043	1	VOLTMETER DC (BATTERY)	72	22129	4	WASHER, LOCK 5/16"-M8
32	32300	1	HOLDER, FUSE	73	36935	2	PPHMS #10-32 x 3/4"
33	49939	1	RECTIFIER	75	22259	4	HEX NUT 5/16"-18
34	22668	1	FUSE, 30A.	76	54199	1	DECAL, HIGH VOLTAGE
				77	C2512	2	WIRE CONNECTOR 1"
				78	75595	1	CMA, BOX
				79	A7215	4	SW FASTENER 1/4"-20 x 5/8" W/WASHER
				80	C2473	1	BRACE, TOP REAR
				81	22287	2	HHCS, 1/4"-20 x 3/4"
				82	22473	2	FLAT WASHER, 1/4"
				83	22127	2	HEX NUT 1/4"-20



# Section 6 – Exploded Views and Parts Lists

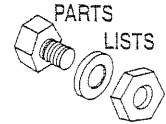
## Guardian Liquid-cooled 8 kW Generators

### Engine Common Parts – Drawing No. C5009-B



Section 6 – Exploded Views and Parts Lists

Guardian Liquid-cooled 8 kW Generators  
Engine Common Parts – Drawing No. C5009-B

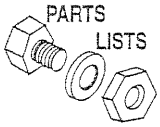


ITEM	PART NO.	QTY.	DESCRIPTION	ITEM	PART NO.	QTY.	DESCRIPTION
1	72501	2	MOUNT, ENGINE	44	52221	1	HOSE 5/16" I.D. x 170MM LONG
2	70936	2	DAMPENER, VIBRATION	45	30096	1	FITTING, BARBED STRAIGHT
3	75672	4	HHCS M12-1.25 x 40MM	46	74819	1	CONNECTOR FITTING
4	51769	4	WASHER, LOCK M12	47	40173	6	CLAMP, HOSE
5	46233	1	V-BELT30-1/8" LONG	48	52221	1	HOSE 5/16" x 570MM LONG
6	57642	1	HHCS M10-1.5 x 40MM	49	52221	1	HOSE 5/16" x 205MM LONG
7	46526	1	WASHER, LOCK M10	50	52221	1	HOSE 5/16" x 120MM LONG
8	42909	3	HHCS M8-1.25 X 30MM	51	22097	2	WASHER, LOCK 1/4"
9	22129	16	WASHER, LOCK M8	52	52219	1	FITTING, BARBED STRAIGHT
10	77909	1	BRACKET, ALTERNATOR	53	50967	1	HOSE 5/8" I.D. x 18"
11	22145	1	WASHER, FLAT M8	54	50967	1	HOSE 5/8" I.D. x 14"
12	45771	3	NUT, HEX M8-1,25	55	57823	6	CLAMP, HOSE #10
13	22097	14	WASHER, LOCK M6	56	72573	1	FITTING, OIL
14	57058	2	HHCS M6-1.0 x 55MM	57	69860E	1	HOSE, DRAIN
15	77910	1	FAN, ENGINE	58	22507	2	HHCS 1/4"-20 x 1/2"
16X	47411	5	HHCS M6-1.0 x 16MM	59	53667	2	SENDER, WATER TEMP.
17	50311	1	SPACER	61	42574	1	ADAPTOR
18	A1354	1	DC ALTERNATOR	62	84033	1	FITTING, BARBED STRAIGHT 3/4" NPT x 5/8"
19	39294	2	CLAMP, HOSE #44	63	99236	1	SWITCH, OIL PRESSURE
20	59399A	1	INTAKE HOSE	64*	68-44114	1	ASSEMBLY. GROUND STRAP
21	35685	1	CLAMP. HOSE #28	65	42907	5	HHCS M8-1.25 x 16MM
22	70941	1	FILTER, AIR	67	69811	1	CAP, HEX 1/4" DIA.
23	C4206	1	ENGINE HARNESS	68	84432	1	ADAPTOR, SENSOR
24	C4695	1	BRACKET, FUEL PUMP	69	57522	1	WATER LEVEL SENSOR
25	65852	1	CLAMP, SPRING	70	57824	6	CLAMP, HOSE 316
26	71952	1	WASHER, LOCK	72	46852	1	TAPTITE #10-32 x 1/4"
27	71912	1	PPHMS M5-0.8 X 8MM	73	79929	1	TEE 1 x 1 x 5/8"
28	75673	1	MANIFOLD EXHAUST	74	77444	1	UPPER RADIATOR HOSE
29	75674	1	GASKET, EXHAUST ADAPTOR	75	77913	1	LOWER RADIATOR HOSE
30	A4119	1	FUEL PUMP ASSEMBLY	76	35468	1	3/8" x 1/4" REDUCER BUSHING
31	84918	1	BLOCK HEATER	77	51730	4	HHCS M8-1.25 x 60
32	42907	3	HHCS M8-1.25 x 16MM	78	71956	4	WASHER, FLAT M8
33	75692	1	SHIELD, HEAT	80	A7803	1	1" PRE-ALARM TEE
34	45757	6	HHCS M6-1.0 x 16MM	81	66246	1	WTS PREHEAT & SHUT DOWN 230 DEG.
35	22261	1	STAR WASHER M8	82	87468	1	5/8" O.D. TUBE
36	74808	1	CONNECTOR, ADAPTOR	83	87469	1	THERMOSTAT 5/8" TUBE MOUNT
37	52233	2	CONNECTOR, ADAPTOR TEE	84	357-70939	1	GASKET, EXHAUST ISM
38	39450	2	90 DEG. ELBOW BARB	85	661-70939	1	FUEL FILTER ASSEMBLY ISM
39	74823	4	CLAMP, HOSE				
40	68736-B	1	HOSE 3/16" I.D.				
41	68736-A	1	HOSE 3/16" I.D.				
42	28739	1	TIE WRAP				
43	70928	3	CLAMP, HOSE				

\* NOT SHOWN

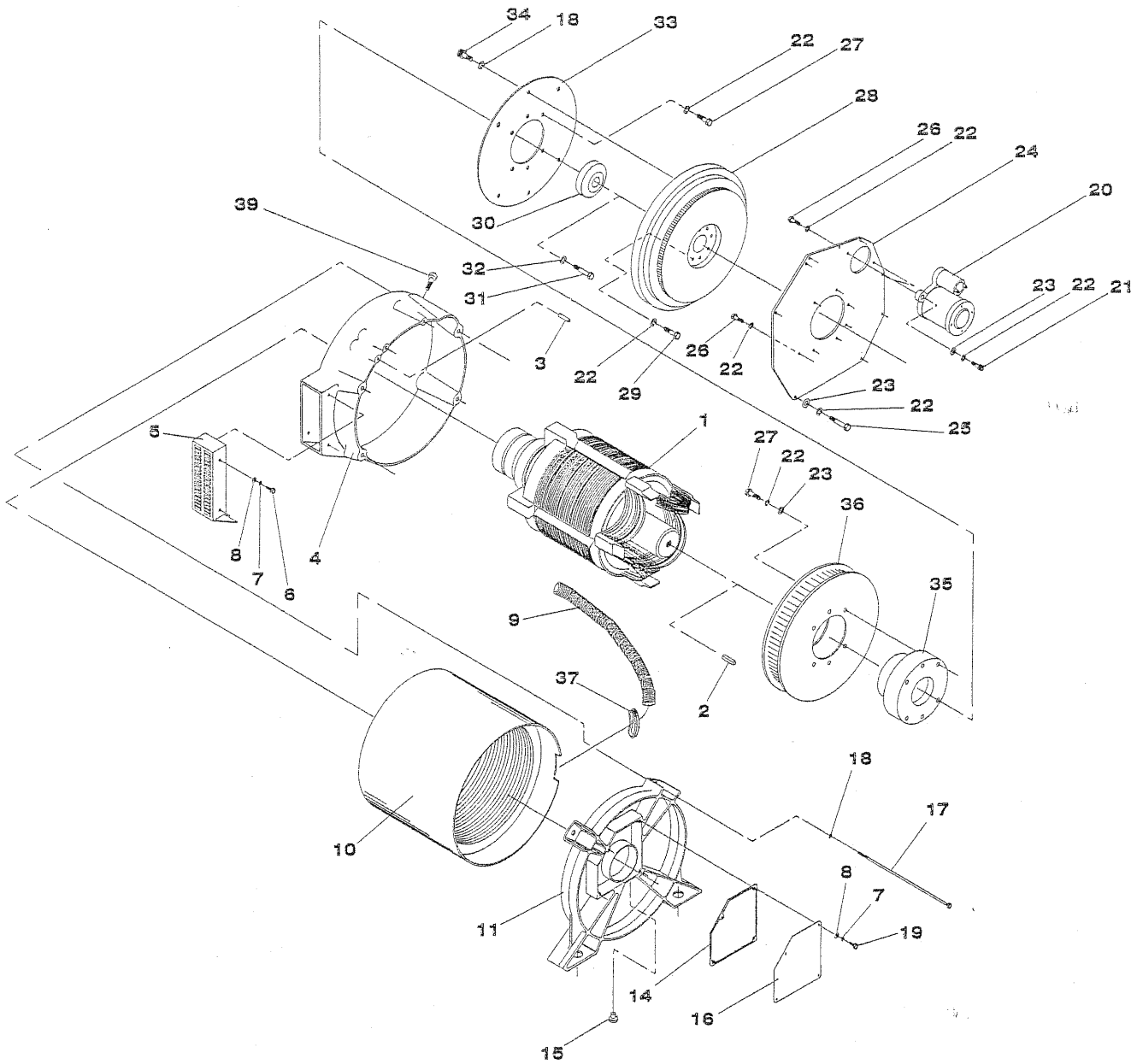
TORQUE FT. LBS.

X- 5



# Section 6 – Exploded Views and Parts Lists

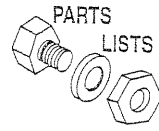
Guardian Liquid-cooled 8 kW Generators  
Generator – Drawing No. A4671-B





Section 6 – Exploded Views and Parts Lists

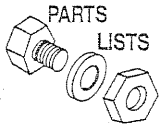
Guardian Liquid-cooled 8 kW Generators  
Generator – Drawing No. A4671-B



EM	PART NO.	QTY.	DESCRIPTION	ITEM	PART NO.	QTY.	DESCRIPTION
1	77900	1	ROTOR ASSEMBLY-8KW	22	46526	33	WASHER, LOCK
2	42558	1	KEY	23	22131	7	WASHER
3	48189	2	PIN, DOWEL	24	73450B	1	PLATE, ENGINE
4	87714A	1	HOUSING, BLOWER	25	49814	3	CAPSCREW, HEX HEAD-M10-1.5 x 25MM LONG
5	74243	1	SCREEN, AIR OUTLET	26**	51756	10	CAPSCREW, HEX HEAD-M10-1.5 x 20MM LONG
6	72512	4	CAPSCREW, HEX HEAD-M6-1.00 x 8MM LONG	27*	42907	12	CAPSCREW, HEX HEAD-M8-1.25 x 16MM LONG
7	22097	8	WASHER, LOCK-M6	28	73451	1	ASSEMBLY, FLYWHEEL & RING GEAR
8	22473	8	WASHER, FLAT-M6	29**	62963	6	CAPSCREW, HEX HEAD-M10-1.25 x 30MM LONG
9	77043C	1	FLEX CONDUIT-3/4" I.D. x 10" LONG	30	72578	1	SPACER, ATR SHAFT
0	76019A	1	STATOR ASSEMBLY-8KW	31***	53557	1	BOLT, HEX HEAD-M12-1.75 x 40MM LONG
1	69804A	1	CARRIER, REAR BEARING	32	51769	1	WASHER, LOCK-M12
4	69892	1	GASKET, REAR BEARING CARRIER	33	73454A	1	PLATE, COUPLING
5	70992	1	ARRESTER, FLAME	34*	75789	12	SOCKET HEAD CAPSCREW, 5/16-18 x 3/4"
6	98323	1	PLATE, COVER	35	73452	1	HUB, DRIVE
7	75554	4	BOLT, STATOR	36	73455	1	FAN
8	22129	24	WASHER, LOCK-M8	37	63212	1	GROMMET, RUBBER
9	47411	4	CAPSCREW, HEX HEAD-M6-1.00 x 16MM	(39)	82130B	1	SENSOR, RPM
0	134-70939	1	MOTOR, STARTER				
1	20747	2	SCREW, SOCKET-HEAD M10-1.5 x 35MM LONG				

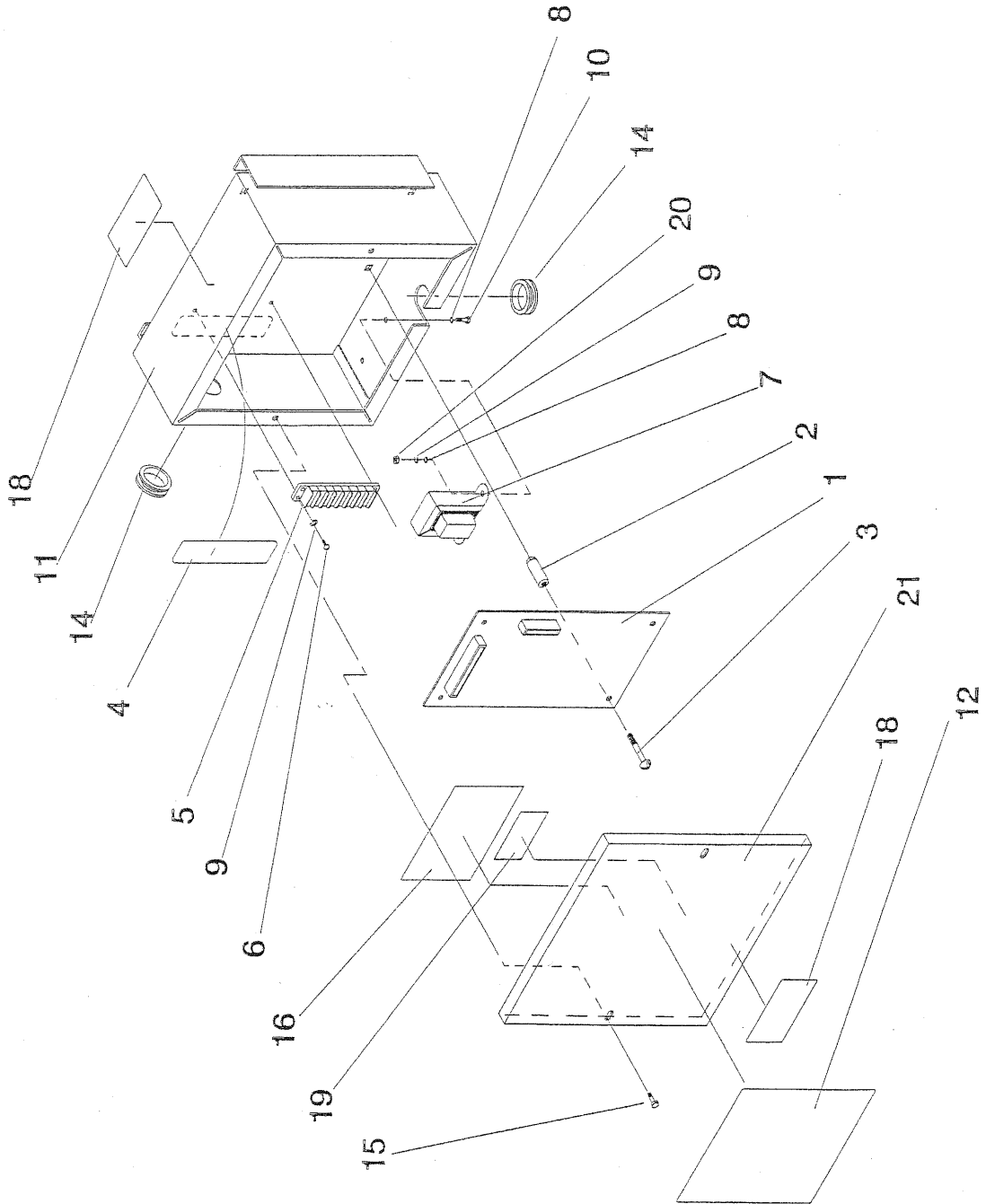
( )=NON-GUARDIAN UNIT

	TORQUE FT. LBS.
*	12
**	25
***	42



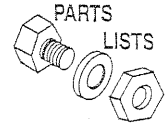
## Section 6 – Exploded Views and Parts Lists

Guardian Liquid-cooled 8 kW Generators  
CMA Assembly – Drawing No. 81086-C



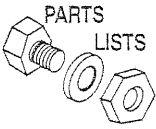
Section 6 – Exploded Views and Parts Lists

Guardian Liquid-cooled 8 kW Generators  
CMA Assembly – Drawing No. 81086-C



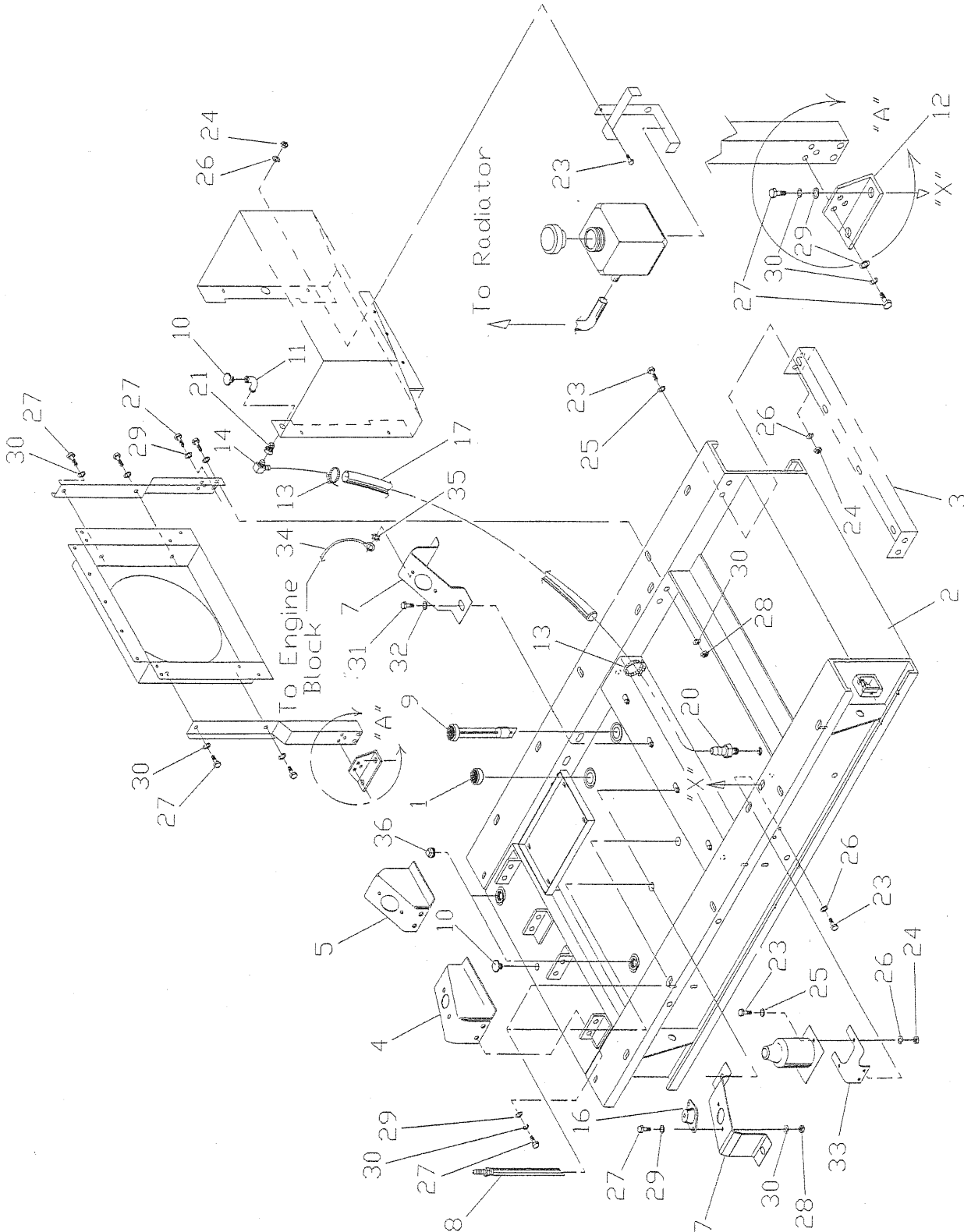
ITEM	PART NO.	QTY.	DESCRIPTION	ITEM	PART NO.	QTY.	DESCRIPTION
1	76009A	1	BOARD, CIRCUIT-DC CONTROL/CRANK LATCH	12	A8504	1	DECAL, COVER-CMA (MODEL 921, 863, 865)
2	72566	4	STANDOFF, CIRCUIT BOARD SUPPORT		A8504A	1	DECAL, COVER-CMA (MODEL 9428)
3	80882	4	SCREW, PPH TAPPING #6 x 5/8"	13*	22661V	.083'	HEAT SHRINK RED .19
4	74978	1	DECAL, TERMINAL STRIP	14	38057	2	GROMMET
5	47822	1	BLOCK, TERMINAL STRIP	15	58443	2	CRIMPTITE
6	75476	2	SCREW, PPHM M4-0.7 x 16MM	16	81224	1	DECAL, MFG NAMEPLATE
7	83264	1	TRANSFORMER 24VA. 12 SEC	17*	79682	1	WIRE HARNESS
8	22985	4	WASHER, FLAT M4	18	86093	2	DECAL, CMA WARNING
9	22264	4	WASHER, LOCK M4	19	83736	1	DECAL, CSA
10	51787	2	HHCS M4-0.7 x 16	20	51715	2	NUT, HEX M4-0.7
11	79847	1	BOX, CMA	21	74495	1	COVER, CMA BOX (921, 863, 865, 9428)
					77401	1	COVER, SILKSCREENED

\*NOT SHOWN



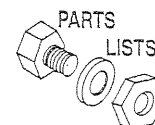
# Section 6 – Exploded Views and Parts Lists

Guardian Liquid-cooled 8 kW Generators  
 Mounting Base – Drawing No. C2665-B

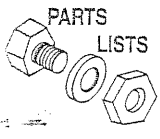


Section 6 — Exploded Views and Parts Lists

Guardian Liquid-cooled 8 kW Generators  
Mounting Base - Drawing No. C2665-B

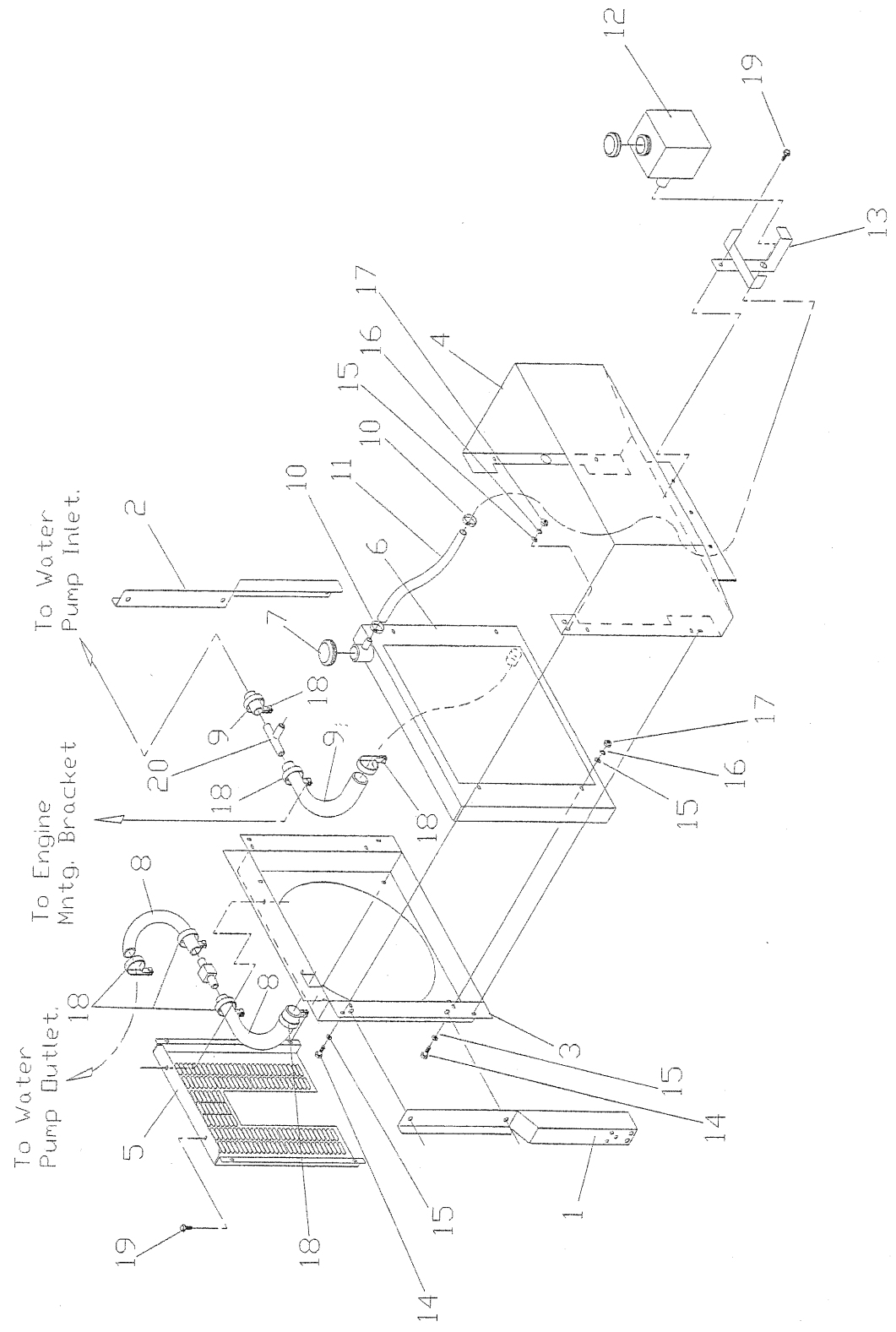


ITEM	PART NO.	QTY.	DESCRIPTION	ITEM	PART NO.	QTY.	DESCRIPTION
1	A1492	1	FUEL CAP KELCH200751	20	67982	1	BARBED STRAIGHT, 5/16 x 3/8
2	A7200	1	BASE FRAME ASSEMBLY	21	35468	1	REDUCER BUSHING 3/8 x 1/4
3	A7307	1	BRACKET, FRONT FRAME	23	42568	9	M6-1.0 x 20 HHCS
4	A7726	1	ALT. MNT. ASSEMBLY, R-SIDE	24	49813	9	M6-1.0 HEX FIN. NUT
5	A7727	1	ALT. MNT. ASSEMBLY, L-SIDE	25	22473	24	1/4 SAE FLAT WASHER
7	A4285	2	BRACKET, ENGINE MOUNT	26	22097	25	1/4 SPLIT LOCK WASHER
8	21538G	2	FUEL DIP PIPE, 250MM	27	39253	38	M8-1.25 x 20 HHCS
9	21973A	1	GAUGE, FUEL LEVEL 281	28	45771	16	M8-1.25 HEX FIN, FULL NUT
10	26847	2	BREATHER	29	22145	50	5/16 SAE FLAT WASHER
11	26924	1	90 DEG. ST. ELBOW 3/8 NPT	30	22129	38	5/16 SPLIT LOCK WASHER
12	A5746	2	BRACKET, RADIATOR SUPPORT	31	49814	4	M10-1.5 x 25 HHCS
13	35472	2	HOSE CLAMP, SIZE #6	32	46526	4	M10 SPLIT LOCK WASHER
14	59502	1	BARBED 90 DEG. 1/4 x 9/16	33	A4160	1	BRACKET, ENGINE HEATER
16	70936	4	VIBRATION ISOLATOR	34	68-44114	1	ASSEMBLY, GROUND STRAP
17	52221	1	5/16 I.D. HOSE x 800MM	35	22261	1	STAR WASHER, M8
				36	63831	2	PIPE PLUG 1-1/4" SQ. HD.



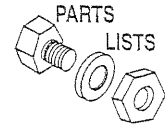
### Section 6 -- Exploded Views and Parts Lists

Guardian Liquid-cooled 8 kW Generators  
Radiator - Drawing No. A7886-

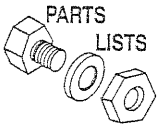


Section 6 – Exploded Views and Parts Lists

Guardian Liquid-cooled 8 kW Generators  
Radiator – Drawing No. A7886-



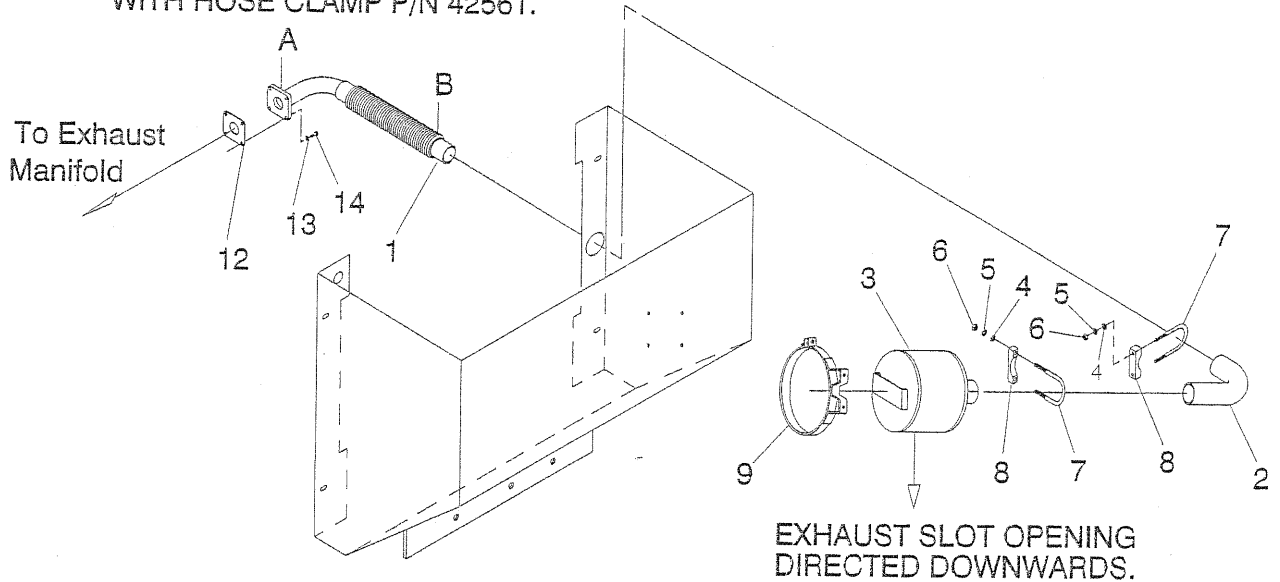
ITEM	PART NO.	QTY.	DESCRIPTION	ITEM	PART NO.	QTY.	DESCRIPTION
1	A3483	1	BRACKET, RADIATOR RH SIDE	11	29032	1	5/16" I.D. X 36" HOSE
2	A3484	1	BRACKET, RADIATOR LH SIDE	12	76749	1	COOLANT RECOVERY BOTTLE
3	A3487	1	VENTURI	13	80712	1	BRACKET, COOLANT BOTTLE
4	A3488	1	AIR DUCT	14	42907	8	M8-1.25 X 16
5	A3826	1	GUARD FAN	15	22145	16	FLAT WASHER - M8
6	A4353	1	RADIATOR REWORK DRAWING	16	22129	8	LOCK WASHER - M8
7	46627	1	RADIATOR CAP	17	45771	8	HEX NUT - M8-1.25
8	77444	1	UPPER RADIATOR HOSE	18	57824	8	HOSE CLAMP NO. 16
9	77913	1	LOWER RADIATOR HOSE	19	75443	8	CRIMPTITE 1/4-20 X 5/8
10	83709	2	SPRING CLAMP, #9	20	79929	1	TEE 1 X 1 X 5/8



Section 6 – Exploded Views and Parts Lists

Guardian Liquid-cooled 8 kW Generators  
 Exhaust – Drawing No. A4674-A

WRAP FLEX EXHAUST FROM A TO B  
 WITH EXHAUST INSULATION P/N 82361.  
 SECURE EACH END OF INSULATION  
 WITH HOSE CLAMP P/N 42561.



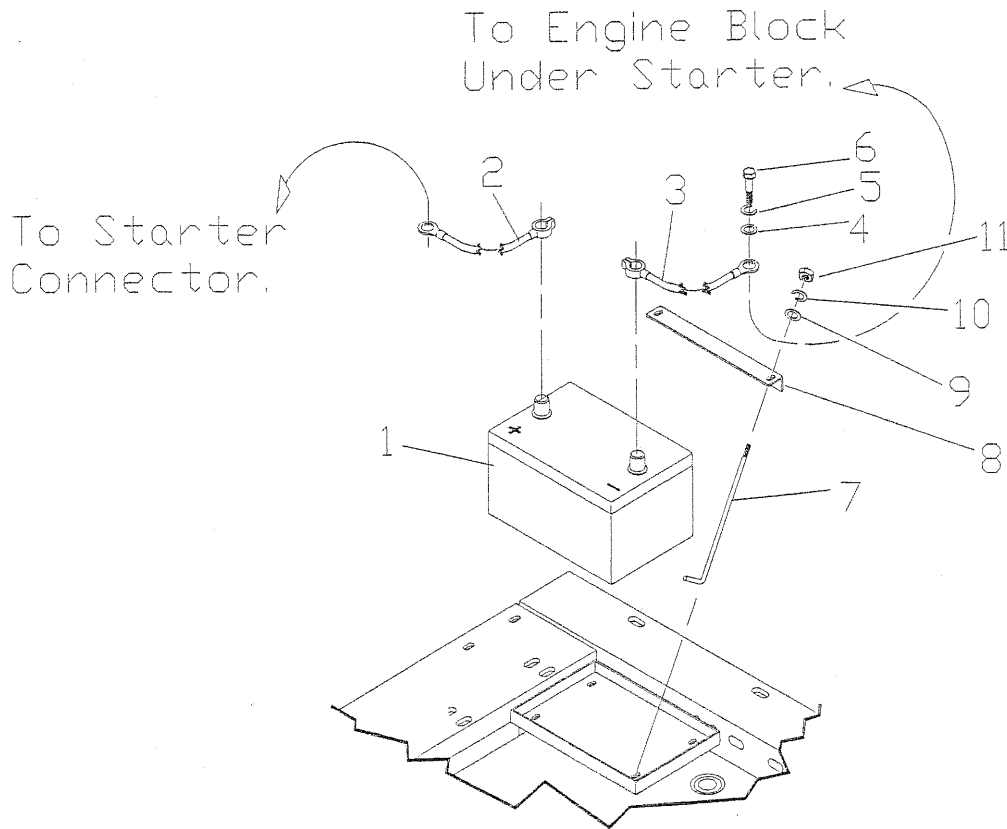
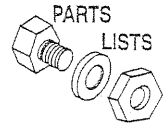
ITEM	PART NO.	QTY.	DESCRIPTION	ITEM	PART NO.	QTY.	DESCRIPTION
1	A3591	1	FLEX EXHAUST - 8KW TRAILER	9	77767A	2	MUFFLER MOUNTING BAND - 7" O.D.
2	A3904	1	EXHAUST ELBOW, 1.5"	10*	82361	8.5 FT.	EXHAUST INSULATION
3	A3905	1	SILENCER, 1.0L-8KW TRAILER	11*	42561	2	HOSE CLAMP, #36
4	22129	4	LOCK WASHER - 5/16"-M8	12	75674	1	GASKET, EXHAUST ADAPTOR
5	22145	4	FLAT WASHER - 5/16"-M8	13	22129	4	5/16 SPLIT LOCK WASHER
6	22259	4	HEX NUT - 5/16"-18	14	43107	4	M8-1.25 X 25MM HHCS
7	24005	2	U-BOLT - 1-3/4" X 5/16-18				
8	53413	2	SADDLE - 1-5/8-1.80				

\* NOT SHOWN



Section 6 – Exploded Views and Parts Lists

Guardian Liquid-cooled 8 kW Generators  
 Battery – Drawing No. A4675-A



ITEM	PART NO.	QTY.	DESCRIPTION	ITEM	PART NO.	QTY.	DESCRIPTION
1	77483	-	BATTERY, GROUP 26	7	59567	2	J-BOLTS, BATTERY HOLD-DOWN
2	38804Y	1	CABLE, BATTERY - RED-35"	8	78121	1	BAR, HOLD-DOWN
3	38805H	1	CABLE, BATTERY - BLACK-23"	9	22145	2	WASHER, FLAT - 5/16
4	22250	1	WASHER, FLAT - 7/16	10	22129	2	WASHER, LOCK - 5/16
5	51769	1	WASHER, LOCK - 7/16	11	22259	2	NUT, HEX - 5/16-18
6	68485	1	CAPSCREW, HEX HEAD, M12-1.25 X 20MM				