

GENERAC[®]

POWER SYSTEMS, INC.

Owner's Manual

GUARDIAN[™]

by **GENERAC[®]** POWER SYSTEMS

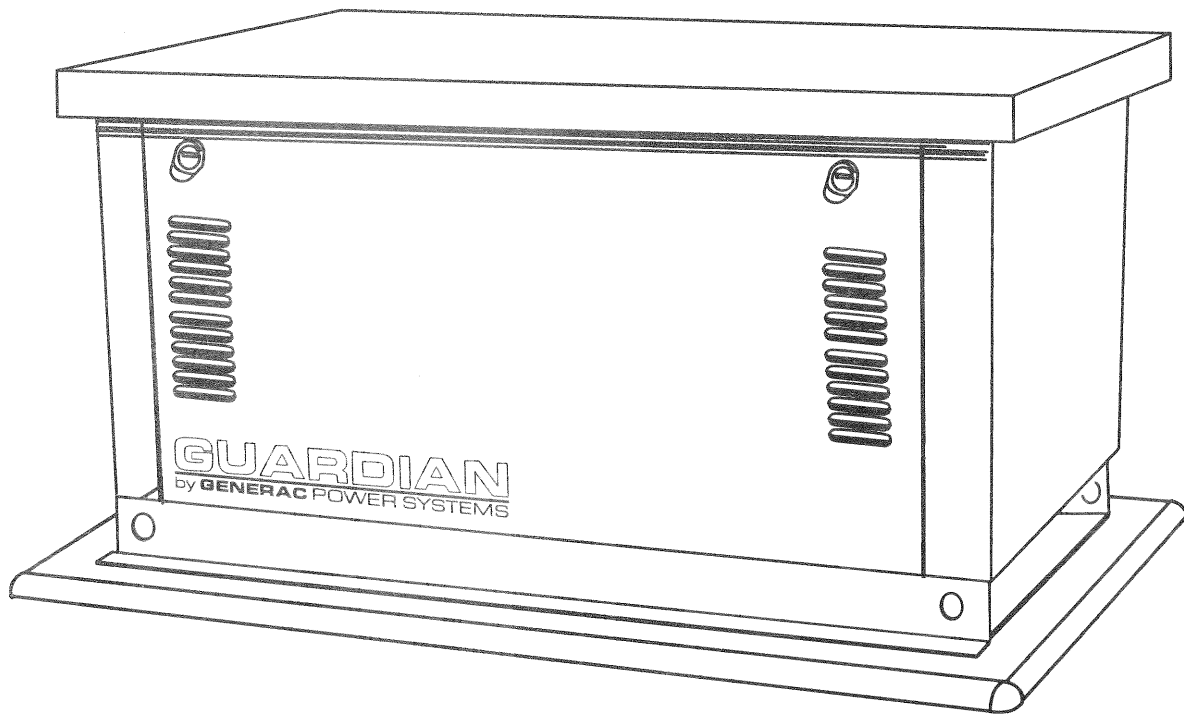
**Air-cooled, Prepackaged
Standby Generators**

Models:

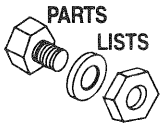
04077-1 (6 kW)

04109-1 (8 kW)

04079-1 (10 kW)

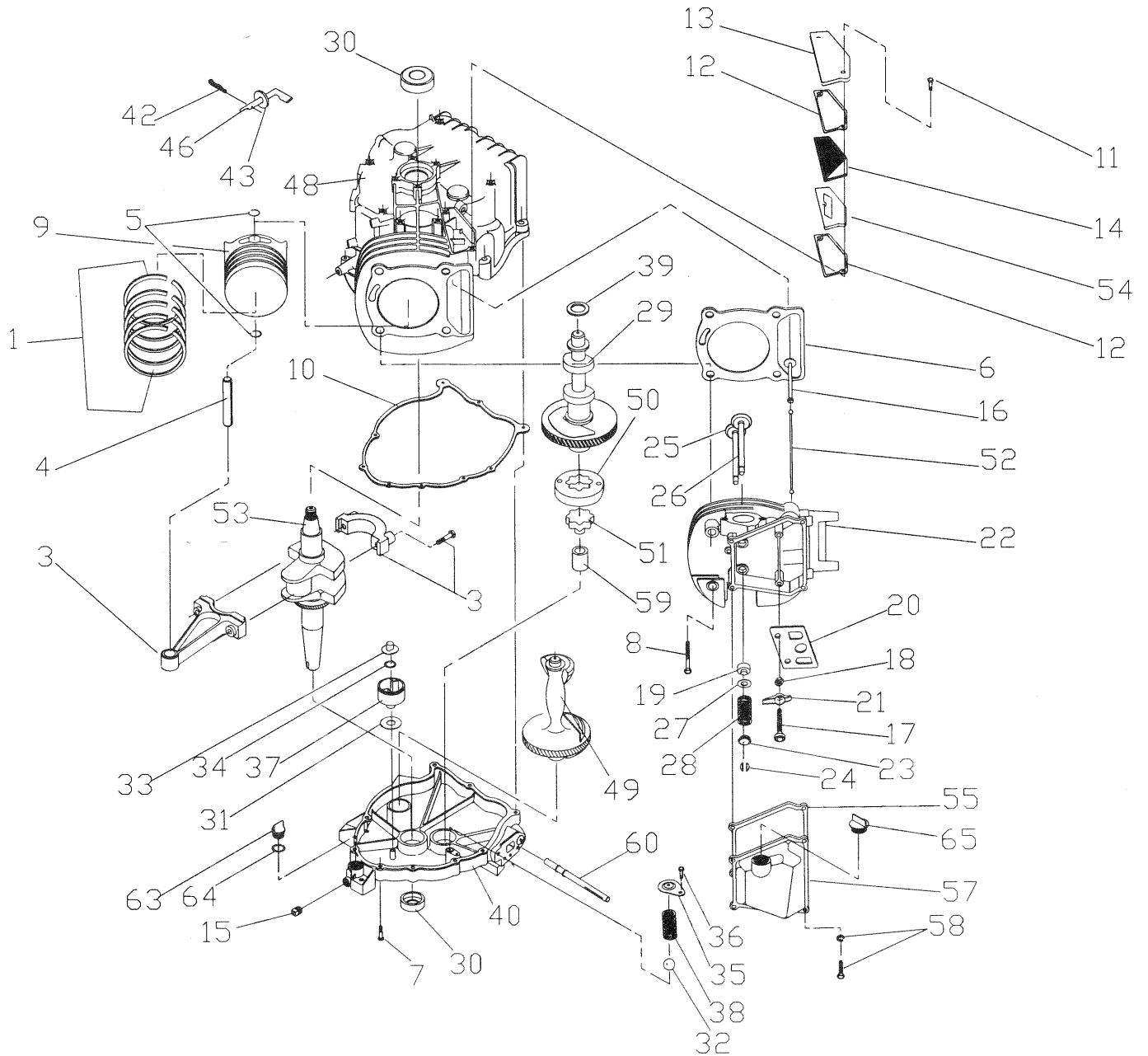


—▲ **DANGER** ▲—
DEADLY EXHAUST FUMES.
OUTDOOR INSTALLATION ONLY!!



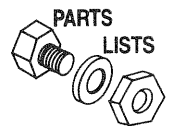
Section 7 – Exploded Views and Parts Lists

Guardian Air-cooled 6 kW Generator
GN-410 Engine – Drawing No. A7894-D



Section 7 – Exploded Views and Parts Lists

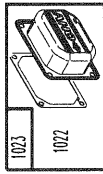
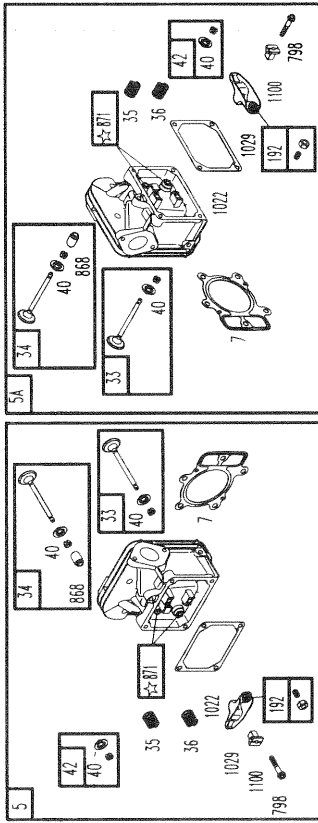
**Guardian Air-cooled 6 kW Generator
GN-410 Engine – Drawing No. A7894-D**



ITEM	PART NO.	QTY.	DESCRIPTION	ITEM	PART NO.	QTY.	DESCRIPTION
1	21533	1	PISTON RING SET	31	76361	1	THRUST WASHER
3	71978	1	CONNECTING ROD WITH CAP AND BOLT	32	A5776	1	PRESSURE RELIEF BALL
4	71980	1	PISTON PIN	33	A7308	1	GOVERNOR SPOOL
5	71983	2	PISTON PIN RETAINER	34	78645	1	GOVERNOR RETAINER (C-RING)
6	21713B	1	CYLINDER HEAD GASKET	35	78691	1	COVER, OIL PRESSURE RELIEF
7	A1442	8	FLANGED HEX HD. CAP- SCREW M8-1.25 x 42	36	74908	1	M5-0.8 x 10MM TAPTITE
8	21742	4	M10 1.5 x 105MM HHFL	37	A8930	1	GOVERNOR GEAR ASSEMBLY
9	96699	1	PISTON	38	A5771	1	OIL PRESSURE SPRING
10	76701	1	CRANKCASE GASKET	39	B2104	1	SPRING WASHER
11	45756	2	M6-1.0 x 10 TAPTITE	40	89280D	1	OIL SUMP ASSEMBLY
12	80308	2	BREATHER GASKET	42	78658	1	GOVERNOR ARM "R" PIN
13	80309	1	BREATHER COVER	43	78659	2	THRUST WASHER
14	80338	1	OIL BREATHER SEPARATOR	46	A7628	1	GOVERNOR ARM RC45
15	26925	1	PIPE PLUG-3/8"	48	C3396C	1	CRANKCASE SUB ASSEMBLY
16	83897	2	TAPPET, SOLID	49	84430	1	BALANCER
17	72694	2	PIVOT BALL STUD	50	86002	1	OUTER GEROTOR
18	72696	2	JAM NUT (ROCKER ARM)	51	86026	1	INNER GEROTOR
19	78672	1	SEAL, VALVE STEM	52	88396B	2	PUSH ROD
20	78694	1	PUSH ROD GUIDE PLATE	53	90416A	1	CRANKSHAFT ASSEMBLY
21	83907	2	ROCKER ARM	54	90747	1	BREATHER VALVE ASSEMBLY
22	21714	1	CYLINDER HEAD W/VALVE SEATS AND GUIDES	55	C3150	1	ROCKER COVER GASKET
23	86514	2	VALVE SPRING RETAINER	57	92362	1	ROCKER COVER W/FILL
24	86515	4	VALVE SPRING KEEPER	58	79246	4	M6-1.0 x 16MM HEX HEAD. SCREW. AND LOCK WASHER
25	86516	1	EXHAUST VALVE	59	83921	1	BEARING TUBE SHAFT
26	86517	1	INTAKE VALVE	60	77158	1	OIL SCREEN PICKUP ASSEMBLY
27	89673	2	WASHER, VALVE SPRING	63	76329	1	OIL FILL PLUG
28	91308	2	VALVE SPRING	64	86254	1	"O" RING 17.8 I.D. x 2.4 THICK
29	A9877	1	CAMSHAFT ASSEMBLY	65	93064	1	OIL FILL CAP ASSEMBLY
30	72655	2	CRANKSHAFT 35 I.D. SEAL				

Section 7 – Exploded Views and Parts Lists

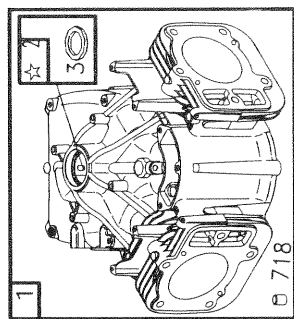
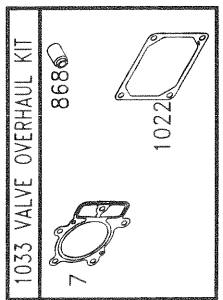
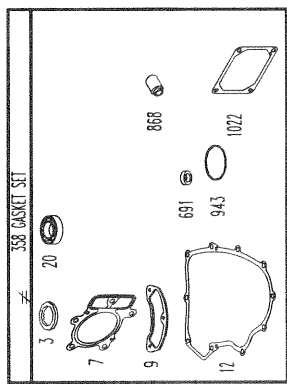
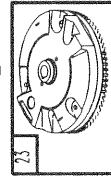
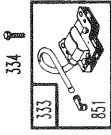
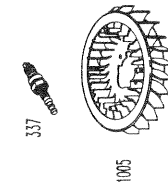
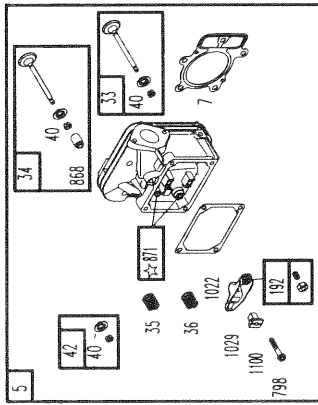
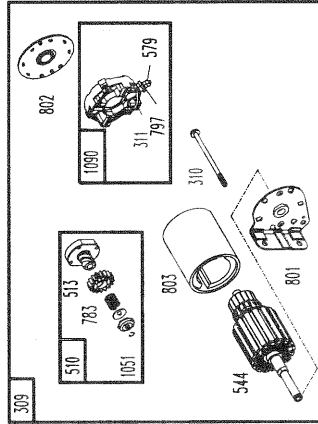
**Guardian 8 kW and 10 kW Generators
GN-724 Engine – Drawing No. C2474-A**



914

★ REQUIRES SPECIAL TOOLS TO INSTALL. SEE REPAIR INSTRUCTION MANUAL.

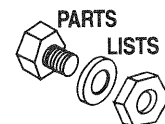
- 616
- 552
- 552A
- 742
- 404
- 552A
- 691



★ REQUIRES SPECIAL TOOLS TO INSTALL. SEE REPAIR INSTRUCTION MANUAL.

Section 7 – Exploded Views and Parts Lists

Guardian 8 kW and 10 kW Generators
GN-724 Engine – Drawing No. C2474-A

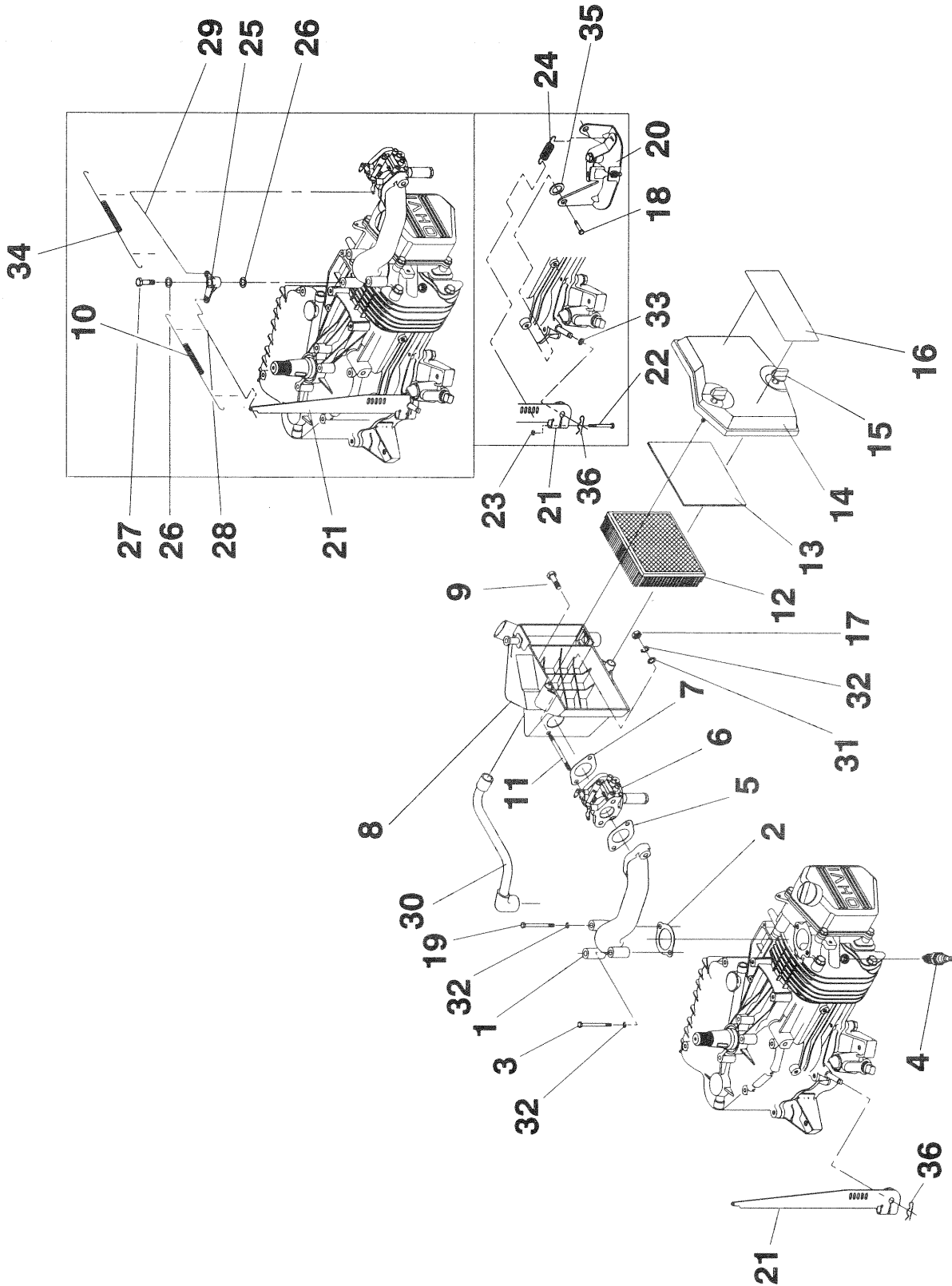


ITEM	PART NO.	QTY.	DESCRIPTION	ITEM	PART NO.	QTY.	DESCRIPTION
*	C1198		GN-724 ENGINE (NOT PICTURED COMPLETE)	310	150-C1198	1	BOLT (STARTER MOTOR)
1	100-C1198	1	CYLINDER ASSEMBLY	311	151-C1198	1	BRUSH SET
2	101-C1198	1	BUSHING/SEAL KIT (MAGNETO SIDE)	333	153-C1198	1	MAGNETO ARMATURE
3	102-C1198	1	OIL SEAL	334	154-C1198	1	SCREW (MAGNETO ARMATURE)
4	103-C1198	1	ENGINE SUMP	337	72347	1	SPARK PLUG
5	104-C1198	1	CYLINDER HEAD (CYLINDER #1)	358	155-C1198	1	ENGINE GASKET SET
5A	105-C1198	1	CYLINDER HEAD (CYLINDER #2)	404	156-C1198	1	WASHER (GOVERNOR CRANK)
7	106-C1198	1	CYLINDER HEAD GASKET	510	157-C1198	1	DRIVE-STARTER
8	107-C1198	1	BREATHER ASSEMBLY	513	75261	1	CLUTCH-DRIVE
9	108-C1198	1	BREATHER GASKET	544	-----	1	STARTER ARMATURE (SERVICED BY 149-C1198 STARTER MOTOR ONLY)
10	109-C1198	1	SCREW (BREATHER ASSEMBLY)	552	158-C1198	1	BUSHING-GOVERNOR CRANK
12	110-C1198	1	CRANKCASE GASKET	552A	159-C1198	1	BUSHING-GOVERNOR CRANK
15	112-C1198	1	OIL DRAIN PLUG	579	160-C1198	1	NUT (STARTER CABLE)
15A	113-C1198	1	OIL DRAIN PLUG	615	161-C1198	1	RETAINER-GOVERNOR SHAFT
16	114-C1198	1	CRANKSHAFT	616	162-C1198	1	CRANK-GOVERNOR
20	115-C1198	1	OIL SEAL	691	165-C1198	1	GOVERNOR SHAFT SEAL
22	116-C1198	1	SCREW (ENGINE SUMP)	697	166-C1198	1	SCREW (DRIVE CAP)
23	117-C1198	1	FLYWHEEL	718	167-C1198	1	PIN-LOCATING
25	119-C1198	1	PISTON ASSEMBLY (STANDARD)	741	168-C1198	1	GEAR-TIMING
	120-C1198	1	PISTON ASSEMBLY (.010 OVERSIZE)	742	169-C1198	1	E-RING RETAINER
	121-C1198	1	PISTON ASSEMBLY (.020 OVERSIZE)	750	170-C1198	1	SCREW (OIL PUMP COVER)
	122-C1198	1	PISTON ASSEMBLY (.030 OVERSIZE)	783	171-C1198	1	GEAR-PINION
26	123-C1198	1	RING SET (STANDARD)	797	173-C1198	1	NUT (BRUSH RETAINER)
	124-C1198	1	RING SET (.010 OVERSIZE)	798	174-C1198	1	SCREW (ROCKER ARM)
	125-C1198	1	RING SET (.020 OVERSIZE)	801	175-C1198	1	CAP-DRIVE
	126-C1198	1	RING SET (.030 OVERSIZE)	802	176-C1198	1	CAP-END
27	127-C1198	1	PISTON PIN LOCK	803	-----	1	HOUSING-STARTER (SERVICED BY 149-C1198 STARTER MOTOR ONLY)
28	128-C1198	1	PISTON PIN (STANDARD)	851	75272	1	SPARK PLUG TERMINAL
29	129-C1198	1	CONNECTING ROD (STANDARD)	868	193-C1198	1	VALVE KEEPER
32	130-C1198	1	SCREW (CONNECTING ROD)	914	109-C1198	1	SCREW (ROCKER COVER)
33	131-C1198	1	EXHAUST VALVE	934	177-C1198	1	SCREW (FAN RETAINER)
34	132-C1198	1	INTAKE VALVE	943	178-C1198	1	O-RING SEAL (OIL PUMP COVER)
35	133-C1198	1	VALVE SPRING (INTAKE)	965	179-C1198	1	OIL PUMP COVER
36	133-C1198	1	VALVE SPRING (EXHAUST)	1005	180-C1198	1	FAN-FLYWHEEL
40	134-C1198	1	VALVE RETAINER	1006	181-C1198	1	RETAINER-FAN
42	193-C1198	1	VALVE KEEPER ASSEMBLY	1017	182-C1198	1	OIL PUMP SCREEN
45	124-85110	1	VALVE TAPPET	1022	183-C1198	1	GASKET-ROCKER COVER
46	136-C1198	1	CAMSHAFT	1023	184-C1198	1	COVER-ROCKER
146	138-C1198	1	TIMING KEY	1024	185-C1198	1	PUMP-OIL
192	139-C1198	1	ROCKER ARM ADJUSTOR	1026	186-C1198	1	ROD-PUSH (STEEL)
219	144-C1198	1	GOVERNOR GEAR	1026A	187-C1198	1	ROD-PUSH (ALUMINUM)
220	145-C1198	1	WASHER (GOVERNOR GEAR)	1029	188-C1198	1	ROCKER ARM
250	146-C1198	1	BREATHER RETAINER	1033	189-C1198	1	VALVE OVERHAUL KIT
252	147-C1198	1	OIL COLLECTOR	1035	190-C1198	1	SHAFT-PUMP
309	149-C1198	1	MOTOR STARTER	1051	191-C1198	1	RING-RETAINING
				1090	192-C1198	1	RETAINER-BRUSH
				1100	230-85110	1	ROCKER ARM PIVOT

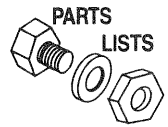
Section 7 – Exploded Views and Parts Lists

Guardian Air-cooled 6 kW Generator

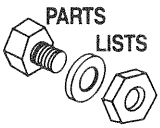
GN-410 Engine Accessories – Drawing No. C2910-B



Section 7 – Exploded Views and Parts Lists
Guardian Air-cooled 6 kW Generator
GN-410 Engine Accessories – Drawing No. C2910-B

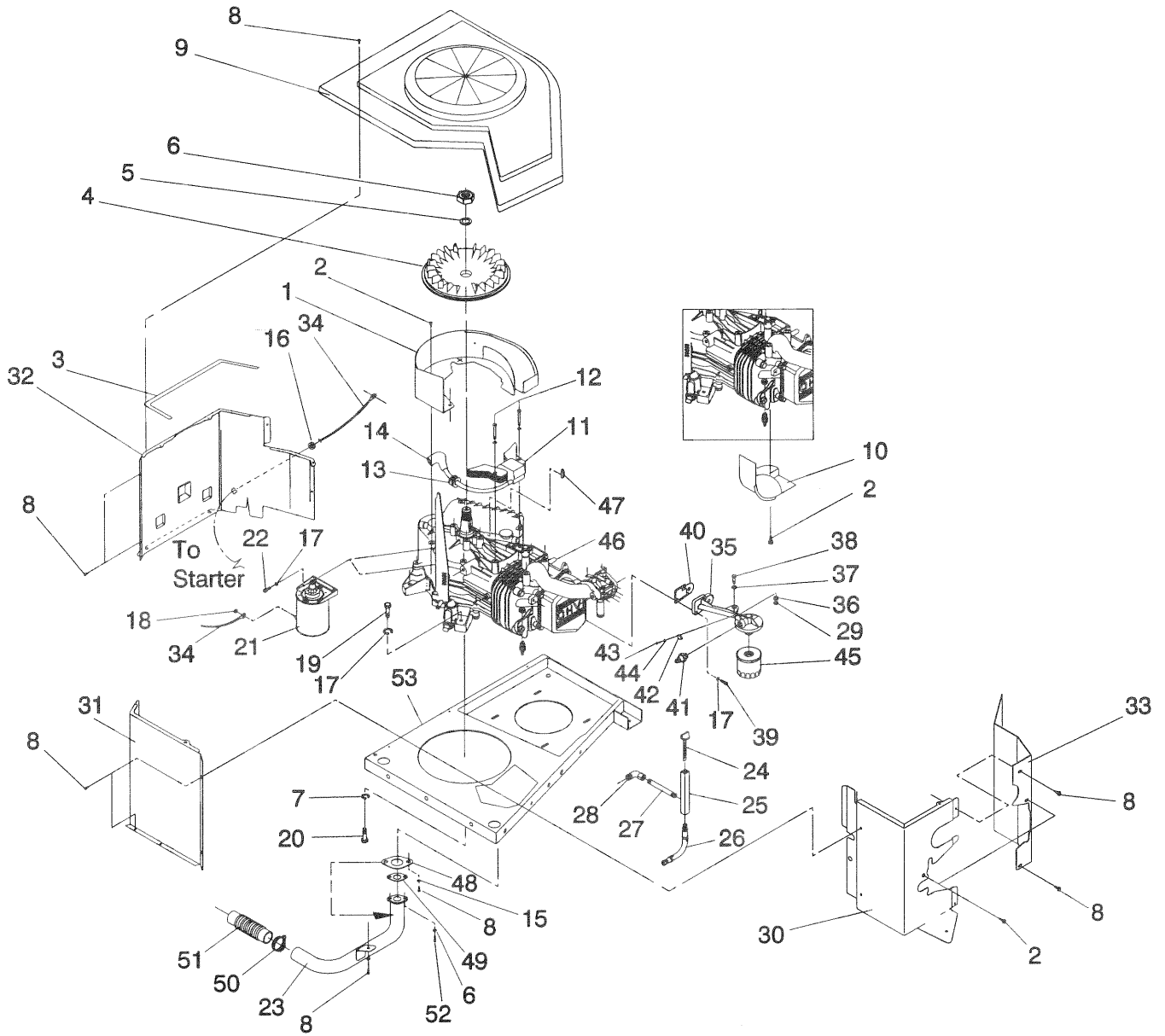


ITEM	PART NO.	QTY.	DESCRIPTION	ITEM	PART NO.	QTY.	DESCRIPTION
1	A6532	1	MANIFOLD, INTAKE	21	91916	1	LEVER, GOVERNOR ARM
2	91039	1	GASKET, INTAKE ADAPTOR	22	83532	1	BOLT, HEX HD. WASHER/LOCK
3	51753	1	HHCS-M6-1.0 x 40 LG				WASHER-M6-1.0 x 30 LG
4	72347	1	SPARK PLUG	23	86681	1	NUT, GOVERNOR LEVER
5	89228	1	GASKET, CARB./MANIFOLD	24	74962C	1	SPRING, GOVERNOR
6	A7336B	1	CARBURETOR	25	91633	1	BELLCRANK, GOV. RODS
7	90970	1	GASKET, AIR CLEANER	26	92586	2	WASHER, FELT-BELLCRANK
8	A6564	1	BASE, AIR CLEANER	27	91161	1	BOLT, SHOULDER M6-1.0 x 15
9	56893	2	CRIMPTITE-#10-24 x 1/2" LG				LG
10	A6778	1	SPRING, ANTILASH	28	A6913	1	ROD, LINKAGE GOV. LEVER-
11	96290	2	STUD, CARB. MOUNT M6-1.0 x				BELLCRANK
			90 LG	29	A6785	1	ROD, LINKAGE BELLCRANK-
12	73111	1	FILTER, AIR				CARB.
13	81646	1	PRE-CLEANER, AIR FILTER	30	A6581	1	BREATHER TUBE, HOSE
14	A6563	1	COVER, CLEANER	31	22473	2	M6-FLAT WASHER
15	C3633	2	SCREW ASSEMBLY, AIR	32	22097	4	M6-LOCK WASHER
			CLEANER	33	A7029	1	NYLON WASHER .31" x .26" x
16	C1228	1	DECAL, AIR CLEANER				.13"
17	49813	2	M6-1.0-NUT	34	A6780	1	SPRING, ANTILASH BELL-
18	83512	2	TAPTITE-M8-1.25 x 16 LG				CRANK TO CARB.
19	20753	1	HHCS-M6-1.0 x 60 LG	35	22145	1	M8-FLAT WASHER
20	92164	1	GOV. SPRING -ADJUSTMENT	36	78658	1	R-PIN
			BRACKET				



Section 7 – Exploded Views and Parts Lists

Guardian Air-cooled 6 kW Generator
GN-410 Sheet Metal – Drawing No. C2480-B



Section 7 – Exploded Views and Parts Lists

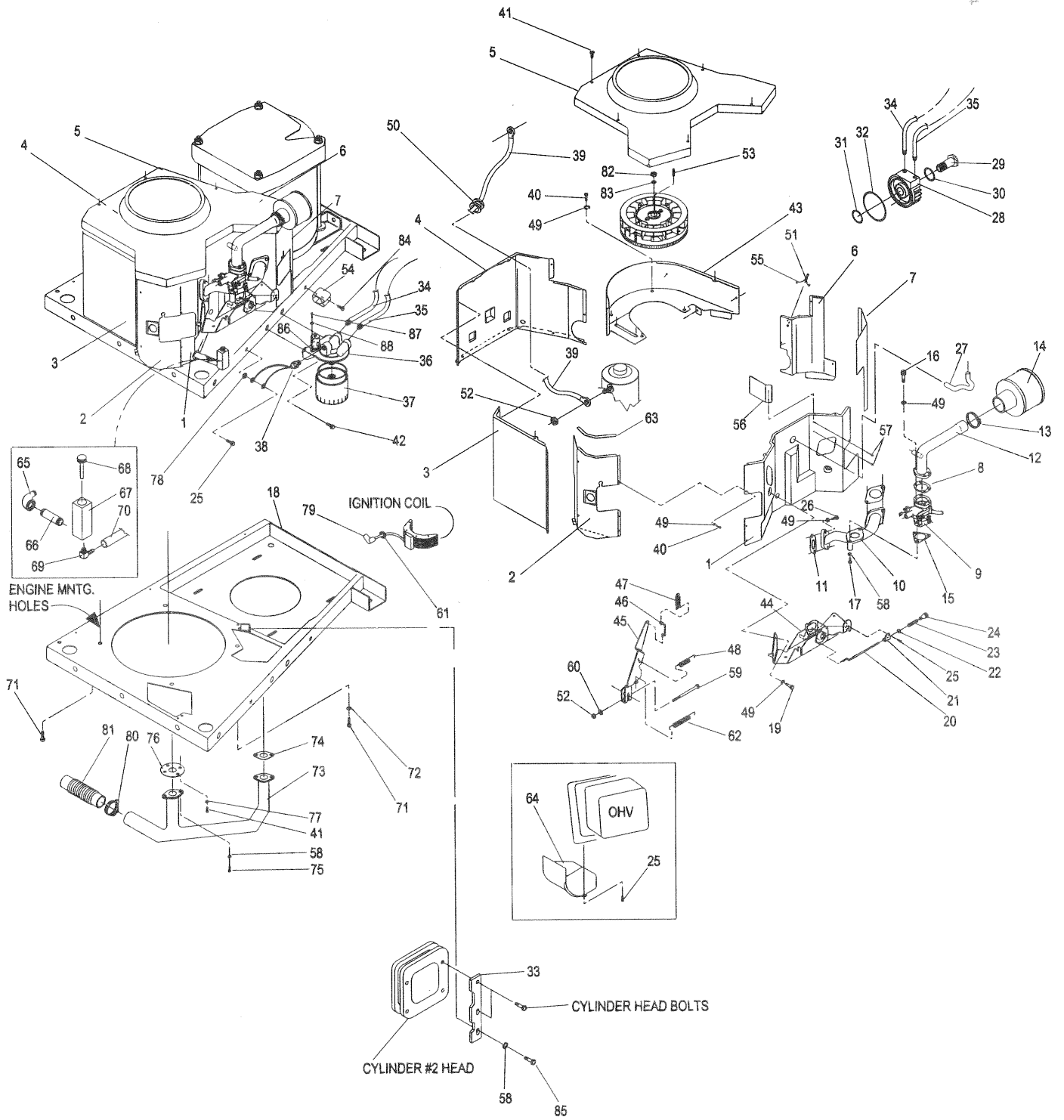
**Guardian Air-cooled 6 kW Generator
GN-410 Sheet Metal – Drawing No. C2480-B**



ITEM	PART NO.	QTY.	DESCRIPTION	ITEM	PART NO.	QTY.	DESCRIPTION
1	A4323	1	SCROLL, FLYWHEEL	28	38593	1	BRASS STREET ELBOW, 3/8"
2	45756	9	SCREW, TAPTITE M6-1.0 x 10 LG	29	22473	1	FLAT WASHER, 1/4"-M6
3	29289	2.5 FT.	FOAM TAPE (SOLD BY FOOT)	30	A6357A	1	WRAPPER, ENGINE SPARK PLUG
4	SRV-91222-F	1	FLYWHEEL, MAGNETIZED	31	90954B	1	WRAPPER, STARTER SIDE
5	67198-N	1	WASHER, BELLVILLE M20	32	A6489A	1	WRAPPER, CRANKCASE
6	67890	1	NUT, M20 x 1.5	33	A6359A	1	WRAPPER, CARB. SIDE
7	A4456	1	3/8" SPECIAL LOCK WASHER	34	11-74260	1	ASSEMBLY, WIRE-STARTER (#16)
8	56893	27	SCREW, CRIMPTITE #10-24 x .5" LG	35	90892	1	SUPPORT, OIL FILTER
9	A6358	1	COVER, TOP FLYWHEEL	36	91159	1	BUSHING, RUBBER
10	91646	1	DEFLECTOR, EXHAUST PORT	37	91160	1	WASHER, RUBBER
11	92572	1	ASSEMBLY, IGNITION COIL	38	91161	1	BOLT, SHOULDER-M6-1.0 x 15 LG.
12	92079	2	SCREW, TAPTITE M6-1.0 x 25 LG	39	49821	2	BOLT, SOCKET HD. CAP-SCR.-M8-1.25 x 30 LG
13	22717A	1	GROMMET, RUBBER	40	86999	1	GASKET, OIL FILTER SUPPORT ADAPTER
14	73132	1	BOOT, SPARK PLUG	41	60108	1	SWITCH, OIL PRESSURE-10 PSI
15	23897	3	#10 FLAT WASHER	42	75281	1	SWITCH, OIL TEMPERATURE
16	89685	1	GROMMET, RUBBER	43	70728	2	SCREW, PHILIPS PAN HD. MACH.-M3-.5 x 5 LG
17	22129	8	LOCK WASHER-M8	44	43182	2	LOCK WASHER-M3
18	22127	1	HEX NUT-1/4"-20	45	70185	1	FILTER, OIL
19	57821	2	CAPSCR., HEX HD.-M8-1.25 x 40 LG	46	C3304	1	ENGINE, LONG BLOCK-GN410VSRV
20	59637	4	SCREW, TAPTITE 3/8"-16 x .75" LG	47	82774	1	KEY, WOODRUFF 4 x 19 DIA.
21	21544	1	MOTOR, STARTER-12VOLT	48	C1951	1	GASKET
22	40976	2	SOCKET HD. CAPSCR., M8-1.25 x 20 LG	49	90239	1	GASKET
23	A9841	1	EXHAUST MANIFOLD	50	C2866	1	CLAMP-1.25"
24	A8875	1	ASSEMBLY, DIPSTICK & CAP	51	A9816	1	EXHAUST FLEX
25	A7299	1	OIL DRAIN/DIPSTICK TUBE	52	40976	2	M8- 1.25 x 20 SOCKET HEAD
26	A9539	1	OIL DRAIN HOSE ASSEMBLY	53	A9736B	1	FRAME
27	31580	1	PIPE NIPPLE, 3/8" x 8.5" LG.				

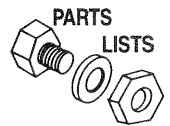
Section 7 – Exploded Views and Parts Lists

**Guardian 8 kW and 10 kW Generators
GN-724 Engine Accessories and Sheet Metal – Drawing No. C4140-B**



Section 7 – Exploded Views and Parts Lists

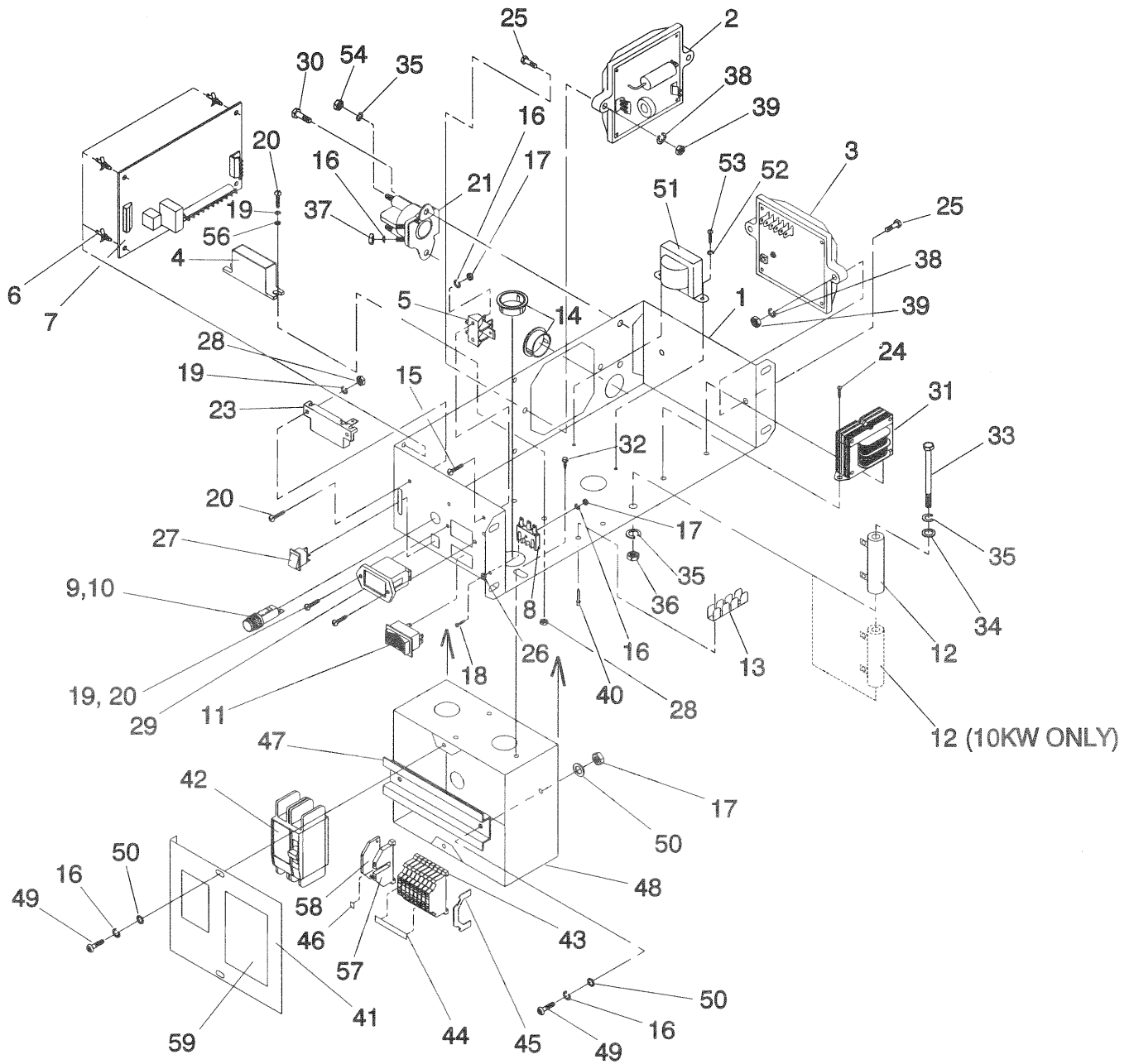
Guardian 8 kW and 10 kW Generators
GN-724 Engine Accessories and Sheet Metal – Drawing No. C4140-B



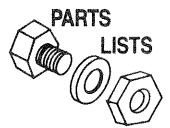
ITEM	PART NO.	QTY.	DESCRIPTION	ITEM	PART NO.	QTY.	DESCRIPTION
1	C1350A	1	WRAPPER, VALLEY	47	C1680	1	SPRING, ANTILASH
2	C1351A	1	WRAPPER, CYLINDER #1	48	C1859	1	SPRING, GOVERNOR
3	C1354A	1	STARTER, WRAPPER				3600RPM 10KW
4	C1353A	1	WRAPPER, CRANKCASE		C4203	1	SPRING, GOVERNOR
5	C1355A	1	COVER, ENGINE (8 KW)				2900RPM 8KW
	C1355	1	COVER, ENGINE (10 KW)	49	22097	18	1/4"- M6 LOCK WASHER
6	C1352A	1	WRAPPER, CYLINDER #2- BACK	50	22717B	1	1/16"- 9/16"GROMMET
				51	22717A	1	1/16"- 3/8" GROMMET
7	C1468A	1	WRAPPER CYLINDER #2, FRONT	52	22127	2	1/4"-20 HEX NUT
				53	C2420	1	KEY, FLYWHEEL
8	C3218	1	GASKET, AIR CLEANER/ CARB	54	65852	1	CLIP, SPRING
9	C1460	1	CARBURETOR	55	C2441	1	WIRE DIODE ASSEMBLY
10	C1285	1	MANIFOLD INTAKE	56	C1863	1	BAFFLE
11	C1625	2	GASKET, INTAKE	57	36261	2	POP RIVET, 1/8" x .23 S.S.
12	C2784	1	TUBE, INTAKE	58	22129	7	5/16"- M8 LOCK WASHER
13	35685	1	CLAMP, #28	59	27883	1	CARRIAGE BOLT 1/4"-20 x 1-1/4"
14	70941	1	FILTER, AIR	60	49811	1	M6 FLAT WASHER
15	C1626	1	GASKET, CARBURETOR	61	91159	2	RUBBER BUSHING
16	64182	4	M6-1.0 x 16 SOCKET HEAD SCREW	62	74962A	1	SPRING, GOVERNOR
				63	C2145	1	GASKET, SET ENGINE COVER
17	39287	2	M8-1.25 x 45 HEX HEAD BOLT	64	74902	2	BARREL WRAPPER
18	A9736	1	FRAME, 8KW & 10KW	65	38593	1	90 DEG.ST. ELBOW 3/8" NPT
19	22287	2	1/4"-20 x 3/4" HEX HEAD BOLT	66	C1983	1	3/8" x 11-1/4" PIPE
20	C2421	1	ROD, SPEED CONTROL	67	A7299	1	DIPSTICK TUBE
21	C2425	1	BRACKET, SPEED CONTROL	68	A8875	1	DIPSTICK & CAP
22	C2424	1	CAP, SPRING	69	43790A	1	90 DEG. HOSE FITTING 3/8" x 3/8" NPT
23	C2422	1	SPRING, SPEED CONTROL				
24	C2423	1	NUT, SPEED CONTROL	70	C2078	1	OIL DRAIN HOSE
25	74908	4	M5-0.8 x 10 TAPTITE	71	75246	4	3/8-16 x 1-1/4" TAPTITE
26	22413	4	1/4"-20 x 1" HEX HEAD BOLT	72	A4456	1	3/8" SPECIAL LOCK WASHER
27	C1702	1	BREATHER HOSE	73	A9820	1	EXHAUST MANIFOLD
28	A5358	1	OIL ADAPTOR	74	C1624	2	EXHAUST GASKET
29	A9028	1	OIL ADAPTOR BOLT	75	75789	4	5/16-18 x 3/4" SOCKET HEAD SCREW
30	C1557	1	O-RING, 13/16" I.D. 1/16" W				
31	C1547	1	O-RING, 7/8"	76	C1950	2	GASKET, EXHAUST
32	C1546	1	O-RING, 2-3/8"	77	23897	6	#10- M5 FLAT WASHER
33	C3961	1	ENGINE SUPPORT BRACKET	78	A8475	1	#10 SPECIAL WASHER
34	C3562	1	OIL TUBE, RETURN	79	73132	2	BOOT, SPARK PLUG
35	C3561	1	OIL TUBE, OUT	80	C2866	1	CLAMP
36	A5360	1	OIL FILTER SUPPORT	81	A9816	1	EXHAUST FLEX
37	70185	1	OIL FILTER	82	C2418	1	NUT, FLYWHEEL
38	60108	1	OIL PRESSURE SWITCH	83	C2419	1	WASHER, FLYWHEEL
39	11-74260	1	STARTER CABLE	84	C2824	1	TAP-R 10-32 x 9/16"
40	22507	6	1/4"-20 x 1/2" HEX HEAD BOLT	85	55173	1	M8-1.25 x 20 HEX HEAD SCREW
41	56893	29	10-24 x 1/2" CRIMPTITE				
42	A2311	2	1/4"-20 x 1" SWAGE FASTENER	86	75281	1	HIGH TEMP. SWITCH
43	C1349	1	SCROLL, FLYWHEEL	87	C1085	2	M3-0.5 x 8mm, PAN HEAD SCREW
44	C1677	1	GOVERNOR BRACKET, ASSEMBLY	88	43182	2	M3 LOCK WASHER
45	C1676	1	GOVERNOR LEVER				
46	C1679	1	GOVERNOR ROD, CARB				

Section 7 – Exploded Views and Parts Lists

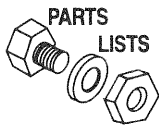
**Guardian Air-cooled 6 kW, 8 kW and 10 kW Generators
Control Panel Assembly – Drawing No. C2373-B**



Section 7 – Exploded Views and Parts Lists
Guardian Air-cooled 6 kW, 8 kW and 10 kW Generators
Control Panel Assembly – Drawing No. C2373-B

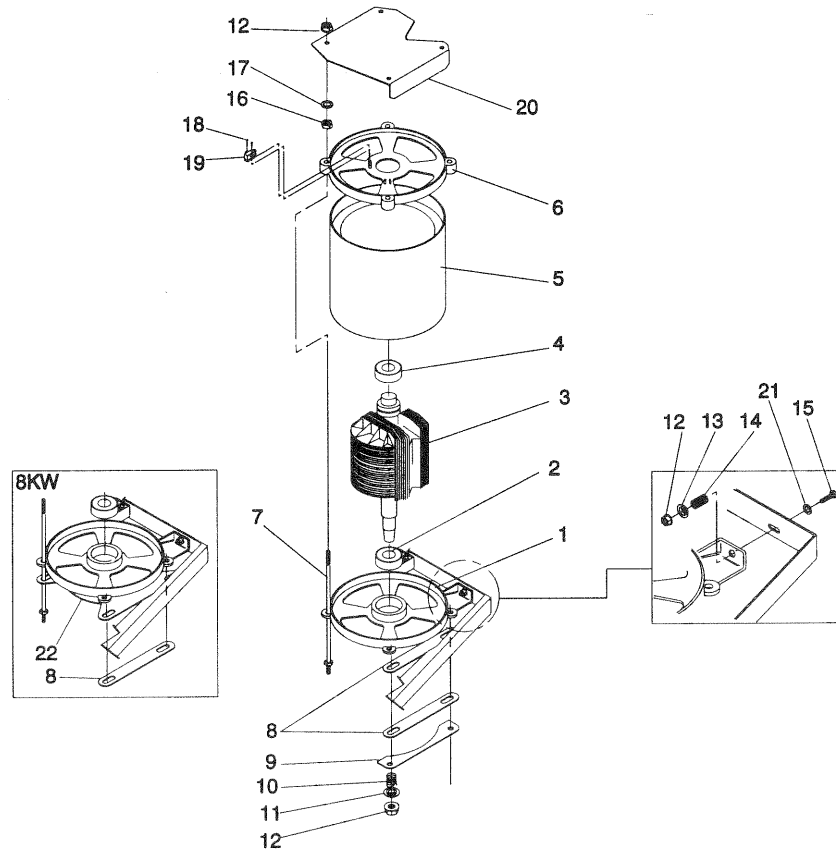


ITEM	PART NO.	QTY.	DESCRIPTION	ITEM	PART NO.	QTY.	DESCRIPTION
1	A9909	1	CONTROL PANEL	29	C1457	1	HOURMETER
2	A1801	1	ASSEMBLY, ENGINE BATTERY CHARGER	30	A2110	2	SWAGEFORM, 1/4"-20
3	83048	1	ASSEMBLY, VOLTAGE REGULATOR	31	99076	1	TRANSFORMER, 16V 56VA
4	C2174	1	RELAY, 12V. 25A SPST	32	74908	3	M5-0.8 x 10 TAPTITE
5	75210A	1	TERMINAL BLOCK	33	A2053	1	M6-1.0 x 65 HEX HEAD (6KW & 8KW)
6	40213	4	PCB SUPPORT, SNAP-IN		C7125	1	M6-1.0 x 120 HEX HEAD (10KW)
7	C1537	1	ASSEMBLY, PCB CONTROLLER	34	22473	1	M6 FLAT WASHER
8	65795	1	RECTIFIER, BATTERY CHARGER	35	22097	3	M6 LOCK WASHER
9	32300	1	HOLDER, FUSE	36	49813	1	M6-1.0 HEX NUT
10	22676	1	FUSE, 15 AMP.	37	22471	2	#8-32 HEX NUT
11	33873	1	SWITCH, DPDT-ROCKER	38	49226	4	M5 LOCK WASHER
12	75234	1	RESISTOR, 1 OHM 25W (6KW)	39	51716	4	M5-0.8 HEX NUT
	75234	2	RESISTOR, 1 OHM 25W (10KW)	40	36261	2	POP RIVET 1/8 x .23
	C7123	1	RESISTOR, 0.5 OHM 25W (8KW)	41	A9896	1	BOX COVER
13	A2769	1	LUG, GROUND 8-TABS	42	A9947B	1	45A CIRCUIT BREAKER (10KW)
14	23484F	3	SNAP BUSHING		A9947A	1	35A CIRCUIT BREAKER (8KW)
15	75476	2	M4-0.7 x 16 PHILLIPS PAN HEAD		A9947	1	25A CIRCUIT BREAKER (6KW)
16	22264	7	M4 LOCK WASHER	43	A9992A	8	TERMINAL BLOCK
17	51715	5	M4-0.7 HEX NUT	44	A9992D	1	NUMBER STRIP
18	80077	1	M4-0.7 x 20 PHILLIPS PAN HEAD	45	A9992B	2	END BRACKETS
19	43182	6	M3 LOCK WASHER	46	A9992F	1	WIRE IDENTIFICATION TAB
20	43181	6	M3-0.5 x 10 PAN HEAD	47	A9872	1	DIN RAIL
21	86729	1	STARTER CONTACTOR	48	A9895	1	CONNECTION BOX
22	C1227	1	DECAL, CONTROL PANEL (NOT SHOWN)	49	75475	4	M4 x 0.7 x 10 PHMS
23	54502	1	CIRCUIT BREAKER AUTO RESET	50	38150	6	M4 FLAT WASHER
24	A1495	2	M4-0.7 x 10 TAPTITE	51	C2657	1	TRANSFORMER, 16V 6VA
25	75235	4	M5-0.8 x 30 HEX HD.	52	22155	2	#6 LOCK WASHER
26	22985	1	M4/#6 FLAT WASHER	53	C1381	2	#6-32 x 1/4" PHILLIPS PAN HEAD, SELF TAPPING
27	92113	1	SWITCH SPDT (MOM)	54	22127	2	1/4"-20 HEX NUT
28	51714	4	M3-0.5 HEX NUT	55	C1226	1	HARNESS (NOT SHOWN)
				56	31879	2	#4 FLAT WASHER
				57	A9992E	1	10mm TERMINAL BLOCK
				58	A9992G	1	10mm INSULATING PLATE
				59	C1229	1	DECAL, CUSTOMER CONNECTION



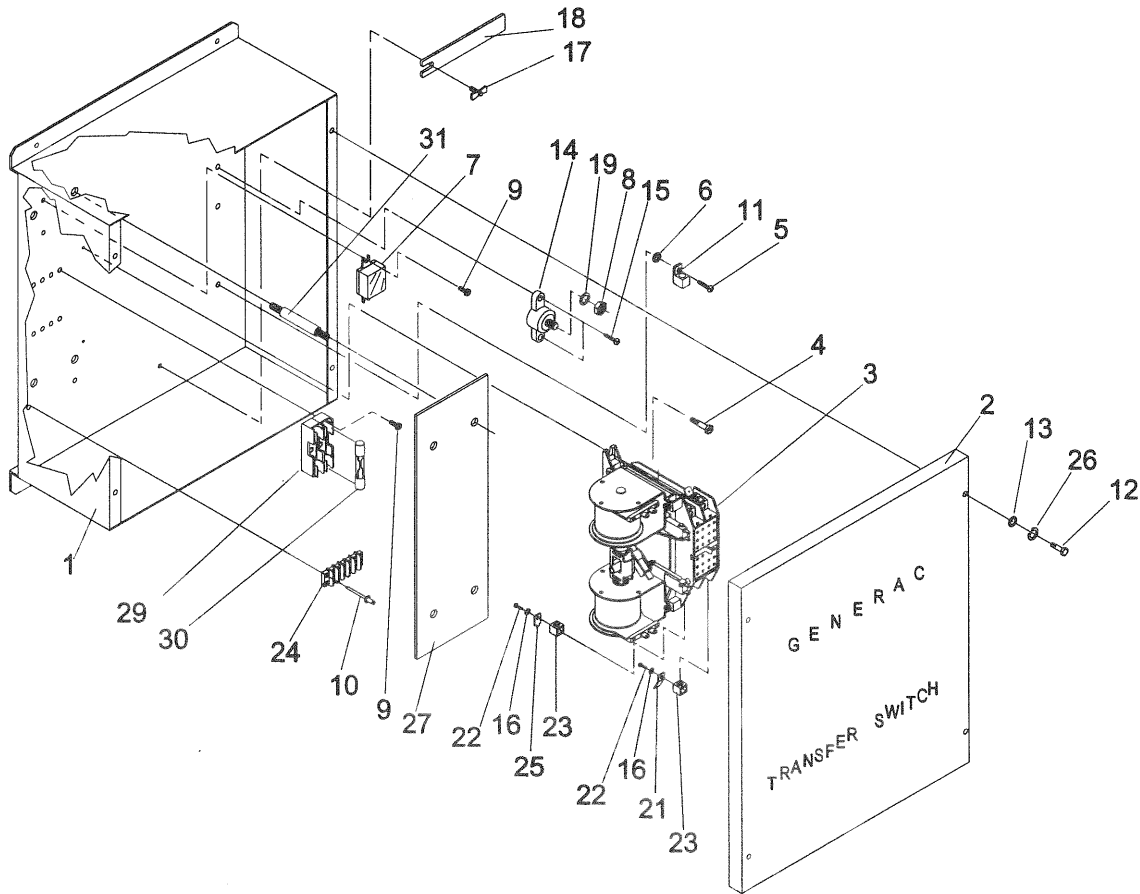
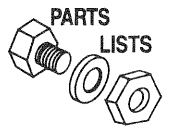
Section 7 – Exploded Views and Parts Lists

Guardian Air-cooled 6 kW, 8 kW and 10 kW Generators
 Alternator – Drawing No. C4143-A

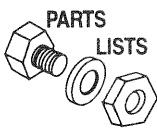


ITEM	PART NO.	QTY.	DESCRIPTION	ITEM	PART NO.	QTY.	DESCRIPTION
1	75995	1	6/8KW LOWER BEARING CARRIER	10	75242	4	ALTERNATOR MOUNTING SPRING
	A9226	1	10KW LOWER BEARING CARRIER	11	75237	4	SPRING CENTERING WASHER
2	31971	1	BEARING	12	52858	10	FLANGED LOCKING NUT M8- 1.25
3	A5649H	1	6KW ROTOR ASSEMBLY	13	75215	2	SPRING CENTERING WASHER
	73163H	1	8KW ROTOR ASSEMBLY	14	29459	2	BELT TENSIONING SPRING
	A9064	1	10KW ROTOR ASSEMBLY	15	C2375	2	M8-1.25 x 90 HEX HD. CAP SCREW (6/8KW)
4	73159	1	BEARING		39288	2	M8-1.25 x 55 HEX HD. CAP SCREW (10KW)
5	C1854H	1	6KW STATOR ASSEMBLY	16	45771	4	M8 NUT
	C1855H	1	8KW STATOR ASSEMBLY	17	27756	4	NYLON WASHER
	C1856	1	10KW STATOR ASSEMBLY	18	66849	2	M5-0.8 x 16MM SCREW
6	72379B	1	6/8KW UPPER BEARING CARRIER	19	66386	1	BRUSH HOLDER ASSEMBLY
	A9227	1	10KW UPPER BEARING CARRIER	20	C2094	1	6/8KW ALTERNATOR COVER
7	77006	4	8/10 KW STATOR BOLT		C1696	1	10KW ALTERNATOR COVER
	A6529	4	6 KW STATOR BOLT	21	22145	2	M8 FLAT WASHER
8	73146	4	6KW NYLON SLIDES	22	A5351	1	8KW NYLON SLIDE
	73146	2	8KW NYLON SLIDES				
	A9918	4	10KW NYLON SLIDES				
9	C1878	2	6/8KW SLIDE SUPPORT				
	A9202	2	10KW SLIDE SUPPORT				

Section 7 – Exploded Views and Parts Lists
Guardian Air-cooled 6 kW, 8 kW and 10 kW Generators
Transfer Switch – Drawing No. C2696-

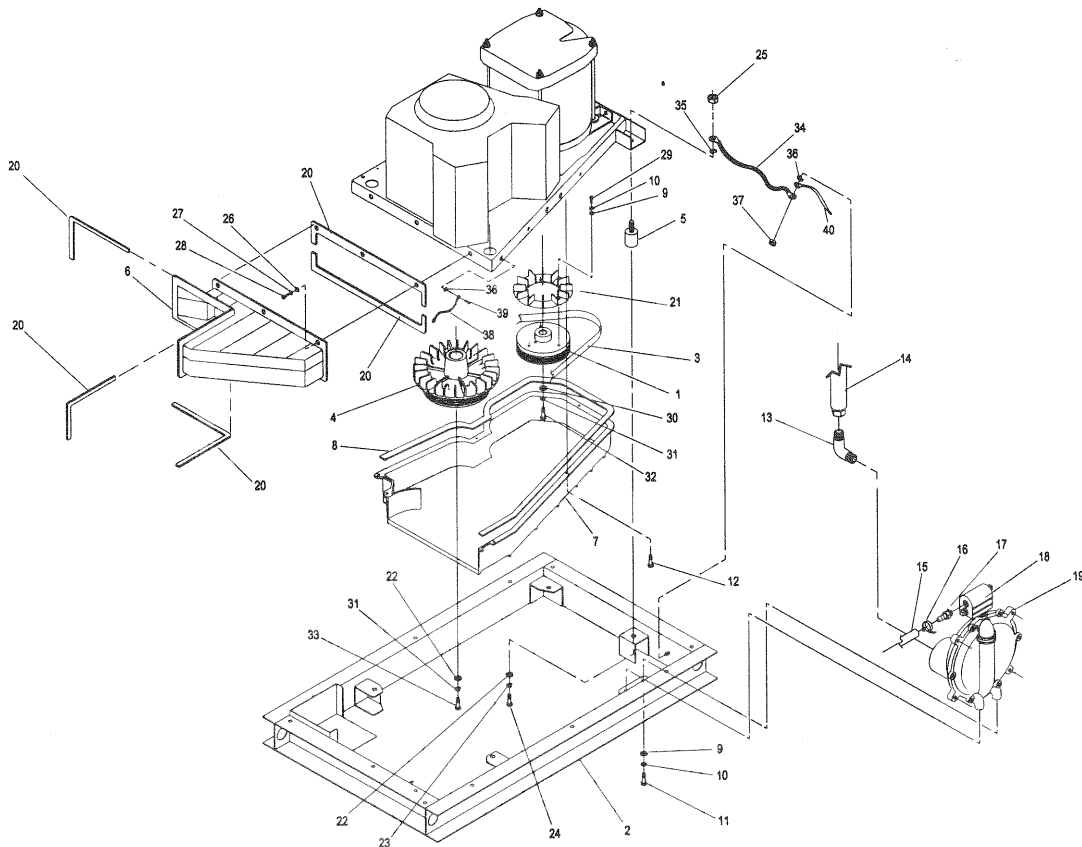


ITEM	PART NO.	QTY.	DESCRIPTION	ITEM	PART NO.	QTY.	DESCRIPTION
1	C2259	1	TRANSFER SWITCH ENCLOSURE	17	64113	1	WING NUT, M6-1.0
2	74975	1	ENCLOSURE COVER	18	77441	1	MANUAL TRANSFER HANDLE
3	C2237	1	TRANSFER SWITCH	19	22131	1	FLAT WASHER-3/8"
4	74908	4	M5-0.8 x 10 TAPTITE	21	74138	4	MALE DISCONNECT ADAPTOR
5	24912	1	1/4-20 x 5/8" TAPTITE	22	36932	6	SCREW, PAN HEAD NO. 10-32 x 1/4"
6	A1658	1	WASHER 1/4 SHAKEPROOF	23	77033	6	SOLDERLESS LUG
7	63617	1	RELAY-10AMP. 12 VOLTS DC	24	48850	1	TERMINAL BLOCK-5 POSITION
8	27628	1	HEX NUT-3/8"-16	25	77052	2	LUG .25-TAB #10-SCRW
9	24940	4	8-32 x 1/2" TAPTITE	26	22473	4	FLAT WASHER-M6
10	A1661	2	POP RIVET, .156 D x .5	27	C2261	1	COVER
11	62684	1	LUG, GROUND	28	C2260	1	TRANSFER WIRE HARNESS (NOT SHOWN FOR CLARITY)
12	42568	4	M6- 1.0 x 20 HEX HEAD BOLT	29	73591	2	FUSE HOLDER
13	22097	4	LOCK WASHER M6	30	73590A	2	FUSE, 5A 600 VOLT
14	57073	1	NEUTRAL LUG-JUNCTION BLOCK	31	40213B	4	STAND-OFF
15	66849	2	M5-.8 x 16 TAPTITE				
16	22152	6	LOCK WASHER NO. 10				



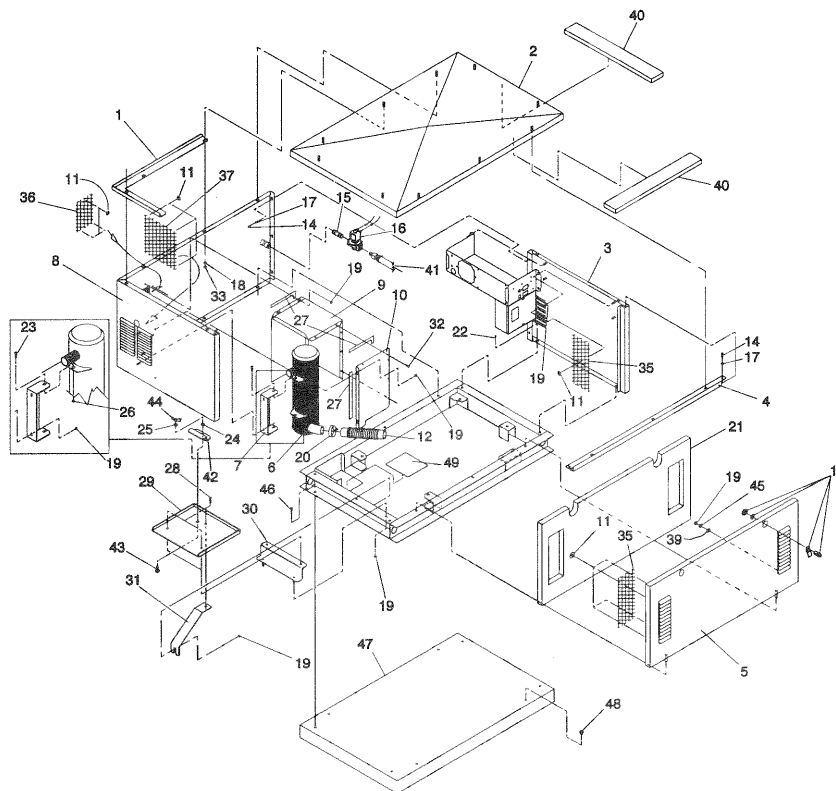
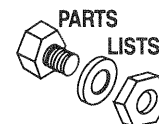
Section 7 – Exploded Views and Parts Lists

Guardian Air-cooled 6 kW, 8 kW and 10 kW Generators
Mounting Base Assembly – Drawing No. C4141-A



ITEM	PART NO.	QTY.	DESCRIPTION	ITEM	PART NO.	QTY.	DESCRIPTION
1	C1753	1	ALTERNATOR PULLEY, 6 KW/ 10 KW	20	C2131	1	GASKET SET, AIR DUCT
	C1753A	1	ALTERNATOR PULLEY, 8 KW	21	C1751	1	ALTERNATOR FAN MODEL, 6 KW/8 KW
2	A9628	1	ASSEMBLY, ENCLOSURE BASE		C1752	1	ALTERNATOR FAN MODEL, 10 KW
3	C1112	1	V-BELT	22	22131	5	3/8"- M10 FLAT WASHER
4	75224D	1	ENGINE PULLEY, 6 KW/10 KW	23	22237	4	3/8" LOCK WASHER
	75224G	1	ENGINE PULLEY, 8 KW	24	23152	4	3/8"-16 x 3/4" HEX HEAD BOLT
5	38353	4	RUBBER MOUNT	25	22241	4	3/8"-16 NUT
6	A9593	1	EXHAUST DUCT ASSEMBLY	26	22145	3	5/16"- M8 FLAT WASHER
7	A9827	1	BLOWER HOUSING	27	22129	3	5/16"- M8 LOCK WASHER
8	C1441	1	GASKET SET, BLOWER HOUSING	28	55173	3	M8-1.25 x 20 HEX HEAD
9	22473	5	1/4"- M6 FLAT WASHER	29	43116	3	M6-1.0 x 12 HHCS
10	22097	5	1/4"- M6 LOCK WASHER	30	49451	1	7 GA. x .41" x 1.62" FLAT WASHER
11	22287	2	1/4"-20 x 3/4" HEX HEAD	31	22237	2	3/8" LOCK WASHER
12	C2824	7	TAP-R #10-32 x 9/16"	32	42633	1	3/8"-24 x 1" HEX HEAD
13	C3117	1	90 DEG. STREET ELBOW-3/4"- 1/2" NPT	33	73118	1	3/8"-24 x 2-1/4" HEX HEAD
14	C3058	1	HOSE ASSEMBLY	34	C2417	1	GROUND STRAP
15	74994	1 FT.	1/2" I.D. HOSE	35	A4456	1	3/8" LOCK WASHER-SPECIAL
16	57822	2	HOSE CLAMP #8	36	A1658	2	1/4" LOCK WASHER-SPECIAL
17	63463	1	BARBED HOSE FITTING 3/8" NPT x 1/2"	37	49813	1	M6-1.0 NUT
18	C1616	1	8/10 KW LOAD BLOCK	38	AB38805	1	CABLE, BLACK-BATTERY
	C1616B	1	6 KW LOAD BLOCK	39	A2311	1	1/4"-20 x 1" FASTENER
19	75211	1	GAS REGULATOR	40	064-91297	1	WIRE, GROUND

Section 7 – Exploded Views and Parts Lists
Guardian Air-cooled 6 kW, 8 kW and 10 kW Generators
Enclosure – Drawing No. C4139-A



ITEM	PART NO.	QTY.	DESCRIPTION	ITEM	PART NO.	QTY.	DESCRIPTION
1	A9962	1	PLATE, INTAKE	29	A9961	1	BATTERY TRAY
2	A9892	1	ENCLOSURE, ROOF	30	A9963	1	BATTERY TRAY SUPPORT
3	C4132	1	PANEL, ENCLOSURE-ALT SIDE	31	A9964	1	ANGLED BATTERY TRAY SUPPORT
4	C4109	1	RAIL, TOP SUPPORT	32	56893	5	CRIMPTITE-#10-24 x 1/2"
5	A9633	1	ENCLOSURE, DOOR	33	69673J	5	5/16"-18 HEX LOCKING FLANGE NUT
6	A9651	1	MUFFLER	34	SRV C3677	1	KEY, REPLACEMENT (NOT SHOWN)
7	A9897	1	SUPPORT, BRACKET MUFFLER	35	C2506A	3	MESH, DOOR PANEL
8	C4131	1	SIDE & BACK ENCLOSURE	36	C2506B	1	MESH, EXHAUST BOX
9	A9631	1	BOX, MUFFLER	37	C2506C	1	MESH, EXHAUST OUTLET
10	A9632	1	COVER, EXHAUST BOX	38	C2309	1	DOOR DECAL (NOT SHOWN) (04077, 04079, 04109)
11	78115	19	SELF LOCKING DOME WASHER		C3176	1	DOOR DECAL (NOT SHOWN) (04178)
12	A9816	1	FLEX-EXHAUST PIPE		C3177	1	DOOR DECAL (NOT SHOWN) (04177)
13	C1023	2	DOOR LATCH	39	063-91297	1	WIRE, GROUND
14	A2110	5	1/4"-20 x 1/2" SWAGE FASTENER	40	C2502	1	BARRIER FOAM
15	26915	1	3/4" NPT CLOSE NIPPLE	41	C3058	1	HOSE ASSEMBLY
16	A2666	1	FUEL SOLENOID	42	C2937	1	BATTERY HOLD-DOWN
17	22473	5	1/4"-M6 FLAT WASHER	43	C3062	1	CARRIAGE BOLT 5/16"-18 x 1"
18	C3168	1	5/16" SPECIAL LOCK WASHER	44	A8379	1	5/16"-18 WING NUT
19	52857	18	M6 -1.0 LOCKING FLANGE NUT	45	A1658	1	1/4" SPECIAL LOCK WASHER
20	C2866	1	EXHAUST CLAMP	46	C5292	4	PLASTITE, 1/4"-10 x 3/4"
21	C3985	1	FOAM DOOR	47	C5084A	1	INSTALLATION PAD
22	C3906	6	M6- 1.0 x 16 HEX HD. & SELF-ALIGNING SCREW	48	C5291	4	PLUG, INSTALLATION PAD- 3/8"
23	51756	2	M10-1.5 x 20 HEX HEAD	49	C5104	1	INSULATION, MUFFLER BOX
24	22145	1	5/16"-M8 FLAT WASHER				
25	22129	1	5/16"-M8 LOCK WASHER				
26	52859	2	M10-1.5 LOCKING NUT				
27	C2310	1	GASKET, SET-MUFFLER BOX				
28	A2393	3	M6 1.0 x 16 FLAT SOCKET HD. CAPSCR.				



EMISSION CONTROL SYSTEM WARRANTY

Emission Control System Warranty (ECS Warranty) for 1995 and later model year engines:

- (a) Applicability: This warranty shall apply to 1995 and later model year engines. The ECS Warranty Period shall begin on the date the new engine or equipment is purchased by/delivered to its original, end-use purchaser/owner and shall continue for 24 consecutive months thereafter.
- (b) General Emissions Warranty Coverage: Generac warrants to the original, end-use purchaser/owner of the new engine or equipment and to each subsequent purchaser/owner that each of its engines is ...
- (1) Designed, built and equipped so as to conform with all applicable regulations adopted by the CARB pursuant to its authority, and
 - (2) Free from defects in materials and workmanship which, at any time during the ECS Warranty Period, may cause a warranted emissions-related part to fail to be identical in all material respects to the part as described in the engine manufacturer's application for certification.
- (c) The ECS Warranty only pertains to emissions-related parts on your engine, as follows:
- (1) Any warranted, emissions-related parts that are not scheduled for replacement as required maintenance in the *Owner's Manual* shall be warranted for the ECS Warranty Period. If any such part fails during the ECS Warranty Period, it shall be repaired or replaced by Generac according to Subsection (4) below. Any such part repaired or replaced under the ECS Warranty shall be warranted for the remainder of the ECS Warranty Period.
 - (2) Any warranted, emissions-related part that is scheduled only for regular inspection as specified in the *Owner's Manual* shall be warranted for the ECS Warranty Period. A statement in such written instructions to the effect of "repair or replace as necessary" shall not reduce the ECS Warranty Period. Any such part repaired or replaced under the ECS Warranty shall be warranted for the remainder of the ECS Warranty Period.
 - (3) Any warranted, emissions-related part that is scheduled for replacement as required maintenance in the *Owner's Manual* shall be warranted for the period of time prior to the first scheduled replacement point for that part. If the part fails prior to the first scheduled replacement, the part shall be repaired or replaced by Generac according to Subsection (4) below. Any such emissions-related part repaired or replaced under the ECS Warranty shall be warranted for the remainder of the ECS Warranty Period prior to the first scheduled replacement point for such emissions-related part.
 - (4) Repair or replacement of any warranted, emissions-related part under this ECS Warranty shall be performed at no charge to the owner at a Generac Authorized Warranty Service Facility.
 - (5) When the engine is inspected by a Generac Authorized Warranty Service Facility, the owner shall not be held responsible for diagnostic costs if the repair is deemed warrantable.
 - (6) Generac shall be liable for damages to other original engine components or approved modifications proximately caused by a failure under warranty of any emission-related part covered by the ECS Warranty.
 - (7) Throughout the ECS Warranty Period, Generac shall maintain a supply of warranted emission-related parts sufficient to meet the expected demand for such emission-related parts.
 - (8) Any Generac authorized and approved emission-related replacement part may be used in the performance of any ECS Warranty maintenance or repairs and will be provided without charge to the owner. Such use shall not reduce Generac ECS Warranty obligations.
 - (9) Unapproved, add-on, modified, counterfeit and/or "grey market" parts may not be used to modify or repair a Generac engine. Such use voids this ECS Warranty and shall be sufficient grounds for disallowing an ECS Warranty claim. Generac shall not be held liable hereunder for failures of any warranted parts of a Generac engine caused by the use of such an unapproved, add-on, modified, counterfeit and/or "grey market" part.

EMISSION RELATED PARTS INCLUDE THE FOLLOWING:

- | | |
|--|---|
| 1) Fuel Metering System: | 3) Ignition System including: |
| 1.2) LPG/Natural Gas carburetion assembly and its internal components. | a) Spark plug |
| a) Fuel controller (if so equipped) | b) Ignition module |
| b) Mixer and its gaskets (if so equipped) | 4) Catalytic Muffler Assembly (if so equipped) including: |
| c) Carburetor and its gaskets (if so equipped) | a) Muffler gasket |
| d) Primary gas regulator (if so equipped) | b) Exhaust manifold |
| e) LP liquid vaporizer (if so equipped) | 5) Crankcase Breather Assembly including: |
| 2) Air Induction System including: | a) Breather connection tube |
| a) Intake pipe/manifold | |
| b) Air cleaner | |

*Generac engine types covered by this warranty statement include the following:

- 1) Prepackaged Standby Generator
- 2) Auxiliary Power Unit (APU) Generator
- 3) Standby Generator



Section 8 – Warranty

Guardian Air-cooled 6 kW, 8 kW and 10 kW Generators

GENERAC'S STANDARD ONE-YEAR LIMITED WARRANTY FOR STANDBY POWER SYSTEMS

For a period of one year or 1,500 hours of operation from the date of original sale, whichever occurs first, Generac Power Systems, Inc. (Generac) will, at its option, repair or replace any part which, upon examination by Generac or a Generac/Guardian Authorized Warranty Service Facility, is found to be defective under normal use and service, in accordance with the warranty schedule set forth below. Any equipment that the purchaser/owner claims to be defective must be returned to and examined by the nearest Generac/Guardian Authorized Warranty Service Facility. All transportation costs under the warranty, including return to the factory, are to be borne and prepaid by the purchaser/owner. This warranty applies only to generators used in "Standby" applications, as Standby has been defined by Generac, provided said generators have been initially installed and inspected on-site by a Generac/Guardian Authorized Service Dealer or branch thereof.

WARRANTY SCHEDULE

YEAR ONE – 100 percent coverage on mileage*, labor and parts listed:

- **Engine** – All components
- **Alternator** – All components
- **Transfer System** – All components

**Travel allowance is limited to 300 miles or 7.5 hours, whichever occurs first, and applies only to permanently wired and mounted units.*

All warranty expense allowances are subject to the conditions defined in Generac's *Warranty Policies, Procedures and Flat Rate Manual*.

Units that have been resold are not covered under the Generac warranty, as this warranty is not transferable.

THIS WARRANTY SHALL NOT APPLY TO THE FOLLOWING:

1. Costs of normal maintenance, adjustments, installation and start-up.
2. Units sold, rated or used for "Prime Power" applications as Prime Power has been defined by Generac. Contact a distributor for Prime Power definition and warranty.
3. Failures due to (a) normal wear and tear, or (b) accident, misuse, abuse, negligence or improper installation.
4. Products that are modified or altered in a manner not authorized by Generac in writing.
5. Any incidental, consequential or indirect damages caused by defects in materials or workmanship, or any delay in repair or replacement of the defective parts.
6. Failure due to misapplication.
7. Telephone, telegraph, teletype or other communication expenses.
8. Living or travel expenses of persons performing service, except as specifically included within the terms of a specific unit warranty.
9. Rental equipment used while warranty repairs are being performed.
10. Overtime labor.
11. Starting batteries, fuses, light bulbs and engine fluids.

THIS WARRANTY IS IN PLACE OF ALL OTHER WARRANTIES, EXPRESS OR IMPLIED. SPECIFICALLY, GENERAC MAKES NO OTHER WARRANTIES AS TO MERCHANTABILITY OR FITNESS FOR A PARTICULAR PURPOSE. Some states do not allow limitations on how long an implied warranty lasts, so the above limitation may not apply to you.

GENERAC'S ONLY LIABILITY SHALL BE THE REPAIR OR REPLACEMENT OF PARTS AS STATED ABOVE. IN NO EVENT SHALL GENERAC BE LIABLE FOR ANY INCIDENTAL OR CONSEQUENTIAL DAMAGES, EVEN IF SUCH DAMAGES ARE A DIRECT RESULT OF GENERAC'S NEGLIGENCE. Some states do not allow the exclusion or limitation of incidental or consequential damages, so the above limitation may not apply to you. Purchaser/owner agrees to make no claims against Generac based on negligence.

This warranty gives you specific legal rights. You also may have other rights that vary from state to state.

GENERAC® POWER SYSTEMS, INC.

P.O. BOX 8
WAUKESHA, WI 53187