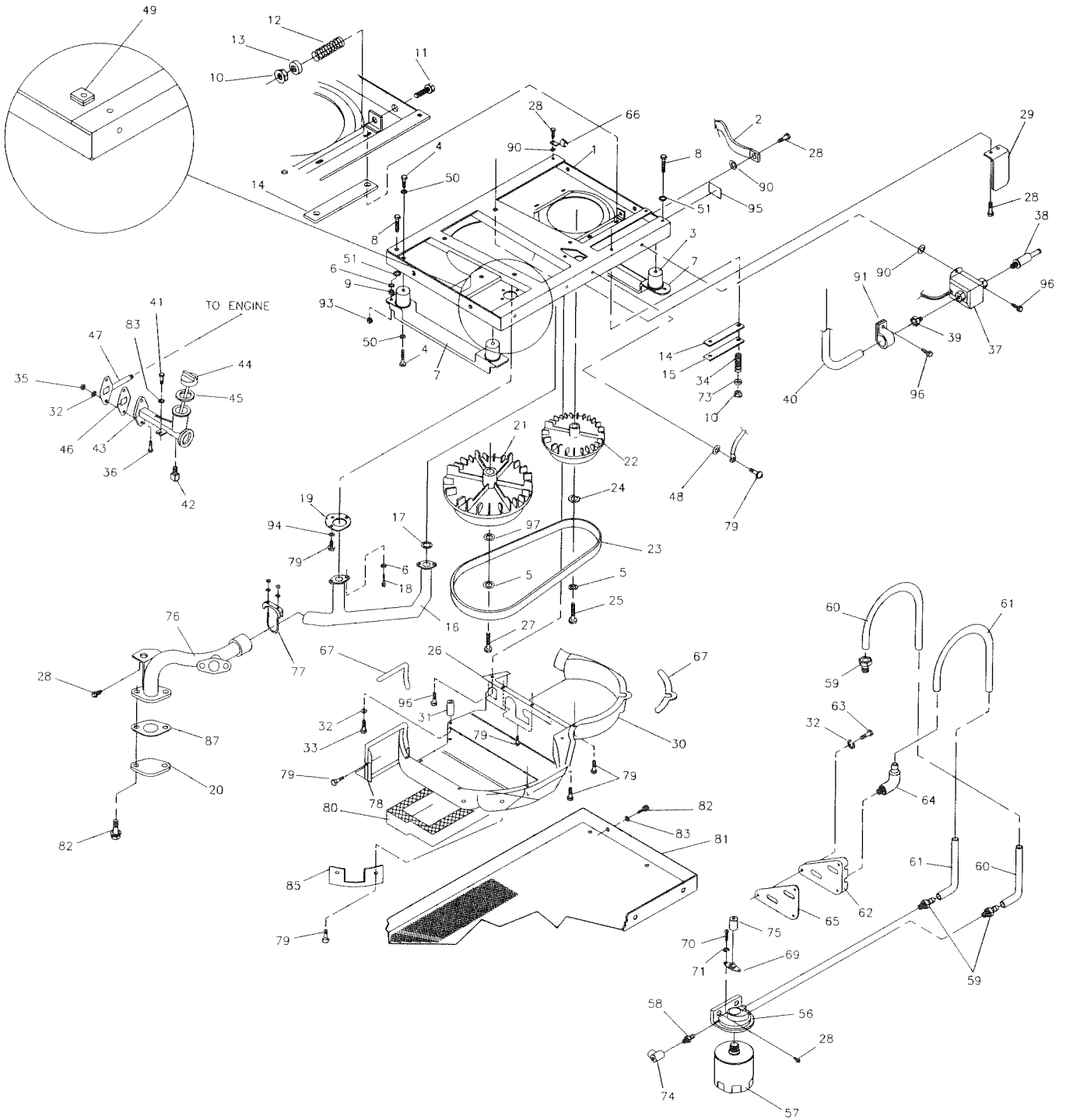


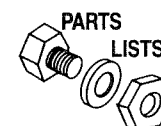
**Section 6 – Exploded Views and Parts Lists**

**Generac Q-70G Recreational Vehicle Generator  
Base and Pulleys – Drawing No. A2753-F**

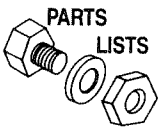


## Section 6 – Exploded Views and Parts Lists

### Generac Q-70G Recreational Vehicle Generator Base and Pulleys – Drawing No. A2753-F

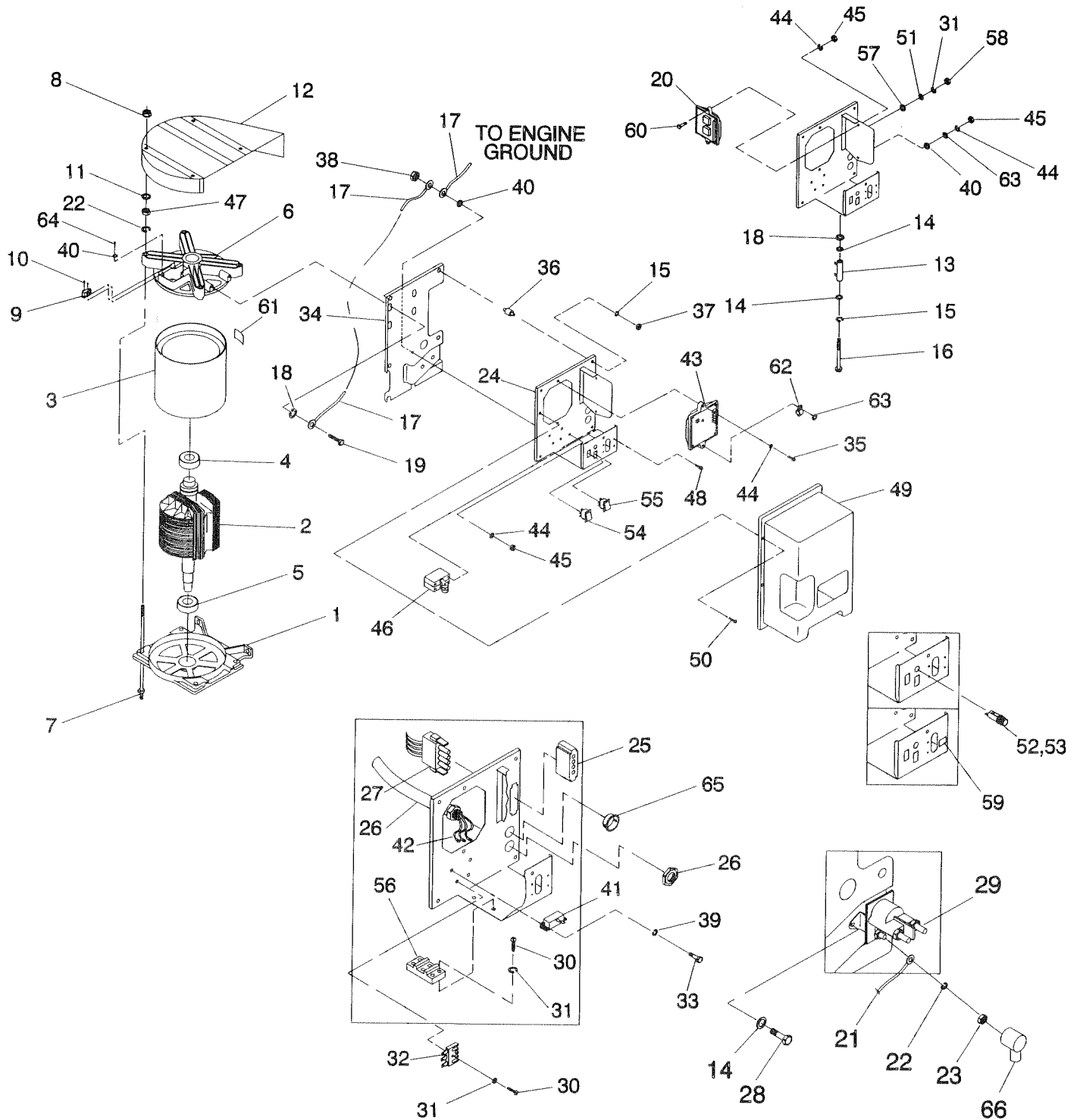


ITEM	PART NO.	QTY.	DESCRIPTION	ITEM	PART NO.	QTY.	DESCRIPTION
1	86318	1	BASE, MOUNTING	44	74958	1	CAP & DIPSTICK ASSEMBLY
2	90141	1	GROUND CABLE	45	67871	1	O-RING, CAP
3	46911	4	MOUNT, (RUBBER)	46	A5508	1	OIL FILL TUBE GASKET
4	25017	8	CAPSCREW, HEX HD.3/8"-16 X 1/2"	47	75711	1	PIPE, OIL DRAIN ADAPTOR
5	46526	2	LOCKWASHER-M10	48	A8475	1	SPECIAL LOCK WASHER, M5
6	22129	6	LOCKWASHER, 5/16" -M8	49	A5802	1	TINNERMAN CLIP
7	72391	2	SKID, RUBBER MOUNT	50	22237	8	LOCKWASHER, 3/8"
8	77603	2	SAFETY BOLT 5/16"-18 x 3 1/2"	51	22145	2	FLATWASHER, 5/16" -M8
9	22259	2	NUT, HEX-5/16"-18	56	73179	1	OIL FILTER SUPPORT
10	52858	6	NUT, FLANGED LOCK-M8-1.25	57	70185	1	FILTER, OIL (FRAM#PH3614)
11	51730	2	CAPSCR. HEX HD.-M8-1.25 x 60mm	58	60108	1	10 PSI-SWITCH, OIL PRESSURE
12	29459	2	SPRING, BELT TENSION	59	74948	3	FITTING-5/16"
13	75215	2	WASHER, SPRING CNTR	60	74950	1	TUBE, OUTER OIL
14	73146	4	SLIDE (NYLON)	61	74951	1	TUBE, INNER OIL
15	75209	2	SUPPORT, NYLON SLIDE	62	73134	1	ADAPTOR, OIL FILTER ADAPTER
16	73174	1	MANIFOLD, EXHAUST	63	38750	3	CAPSCREW, HEX HD.- M6-1.00 x 30mm
17	79678	2	RING, SEALING	64	74949	1	FITTING, BARBED 90-DEGREE-5/16"
18	40976	4	SHCS, M8-1.25 x 20mm	65	68548	1	GASKET, OIL FILTER ADAPTER
19	72383	2	GASKET, COLLECTOR PAN	66	C4006	1	CABLE, BATTERY
20	90859	1	COVER PLATE -EXTERNAL	67	29289	--	TAPE, FOAM-1/16" THICK x 8'
21	75224D	1	PULLEY, ENGINE	69	75281	1	SWITCH, HIGH TEMPERATURE
22	73106D	1	PULLEY, ALT.	70	C1085	2	SCREW, PAN HEAD-M3-0.50 x 8mm
23	75216	1	BELT (POLY V 4L)-40"	71	43182	2	LOCKWASHER-M3
24	49451	1	WASHER, PULLEY RETAINER, 7GA. 0.41" x 1.62"	73	75237	4	WASHER, SPRING RETAINER
25	42633	1	HHCS, 3/8"-24 X 1" (GRADE 5)	74	77681	1	CAP, VINYL-LOS-2 WIRE
26	77017	1	GUIDE, BLOWER HOUSING	75	75474	1	CAP, VINYL-17D x 42L x 2A
27	73118	1	CAPSCR., HEX HD.-3/8"-24 x 2-1/4"	76	90800	1	ELBOW, EXHAUST
28	74906	7	TAPTITE, M6-1.00 x 20mm	77	94670	1	CLAMP, EXHAUST
29	91123	1	BRACKET-FUEL PUMP	78	75226	1	COVER, AIR
30	72375	1	HOUSING, BLOWER	79	56893	23	CRIMPTITE, NO. 10-24 x 1/2"
31	73185	1	SPACER, BLOWER HOUSING 2-3/8"	80	75229	1	SLIDE PAN, GASKET
32	22097	7	LOCKWASHER, 1/4"-M6	81	75227	1	SLIDE PAN
33	77682	1	CAPSCR. HEX HD.-M5-0.80 x 80mm	82	79246	4	CAPSCREW, HEX HEAD- M6-1.00 x 16mm WITH LOCK WASHER
34	75242	4	SPRING, GENERATOR SET MT	83	22473	5	FLATWASHER, 1/4" -M6
35	49813	2	NUT, HEX M6 x 1.0mm	85	72384C	1	COVER, EXHAUST OUTLET
36	45757	2	CAPSCREW, HEX HD.- M6-1.0 x 25mm	87	77643	1	GASKET, EXHAUST OUTLET
37	90475	1	FUEL PUMP	90	A1658	3	LOCKWASHER, SPECIAL 1/4"
38	87769	1	FUEL FILTER	91	90088	1	CLAMP, VINYL COATED
39	87768	1	FITTING-1/8" PIPE TO 1/4" TUBE	93	81105	2	FLANGE NUT, (SPECIAL) 5/16"-18
40	87770	1	FUEL LINE	94	23897	6	FLAT WASHER, #10 -M5
41	22413	1	CAPSCREW, HEX HD.-1/4"-20 x 1"	95	67210A	1	DECAL-GROUND
42	26925	1	PIPE PLUG 3/8" SQ. HD.	96	45756	9	TAPTITE, M6-1.00 x 10mm
43	75710A	1	FILL TUBE & PLUG	97	22131	1	FLATWASHER, M10

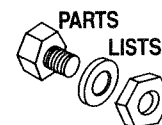


# Section 6 – Exploded Views and Parts Lists

## Generac Q-70G Recreational Vehicle Generator Alternator and Control Panel – Drawing No. A2754-H



**Section 6 – Exploded Views and Parts Lists**  
**Generac Q-70G Recreational Vehicle Generator**  
**Alternator and Control Panel – Drawing No. A2754-H**

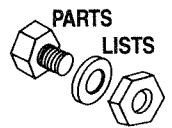


ITEM	PART NO.	QTY.	DESCRIPTION	ITEM	PART NO.	QTY.	DESCRIPTION
1	75995	1	LOWER BEARING CARRIER	34	86317A	1	PANEL SUPPORT BRACKET
2	73163H	1	ROTOR ASSEM.	35	75235	2	M5-0.8 x 30 LG. CAPSCREW
3	21441H	1	STATOR ASSEM.	36	82737	4	VIBRATION MOUNT
4	73159	1	BALL BEARING	37	49813	4	M6-1.0 HEX NUT
5	31971	1	BALL BEARING	38	49815	1	M5-08 x 16 LG. HEX HD. CAPSCR.
6	72379-B	1	UPPER BEARING CARRIER	39	43182	2	M3-LOCK WASHER
7	77006	4	STUD-STATOR	40	A8475	3	M5-SPECIAL LOCK WASHER
8	52858	4	M8-1.25 FLANGE LOCK NUT	41	54502	1	C/BREAKER 3.0A
9	66386	1	BRUSH HOLDER	42	94192	1	HARNESS, CUSTOMER CONNECTION
10	66849	2	M5-0.8 x 16 LG. TAPTITE	43	83049	1	REGULATOR VOLTAGE
11	27756	4	NYLON WASHER	44	22152	6	M5-LOCK WASHER
12	86314	1	GENERATOR TOP HOUSING	45	51716	4	M5-0.8 HEX NUT
13	75234	1	RESISTOR	46	82081	1	CIRCUIT BREAKER 30A. 2P
14	22473	4	¼" M6-FLAT WASHER	47	45771	4	M8-1.25 HEX NUT
15	22097	5	¼" M6-LOCK WASHER	48	25105	4	#6-32 x ¼" SCREW W/LOCK WASHER
16	74095	1	M6-1.0 x 60 LG. CAPSCREW	49	86315	1	PANEL COVER
17	90141	2	GROUND CABLE	50	90734	4	M4-0.7 x 12 LG. CAPSCR.W/LOCK- WASHER & FLAT WASHER
18	A1658	2	SPECIAL LOCK WASHER, ¼"	51	22985	1	#6-FLAT WASHER
19	74906	4	M6-1.0 x 20 LG. TAPTITE	52	32300	1	FUSE HOLDER
20	92234	1	CONTROLLER P.C.B.	53	22676	1	FUSE AGC-15A.
21	10_-74260	1	STARTER CABLE	54	87798	1	SWITCH S.P.D.T. 6A.-(START-STOP)
22	22129	6	5/16" M8 LOCKWASHER	55	92113	1	SWITCH S.P.D.T.-(FUEL PUMP)
23	22259	2	5/16"-18 HEX NUT	56	75210-A	1	TERMINAL BLOCK
24	86316	1	PANEL SHEET METAL	57	A8475-A	1	#8 SPECIAL LOCK WASHER
25	53650	1	4-PIN CONNECTOR	58	51715	1	M4-0.7 HEX NUT
26	C4258	1	CONDUIT ASSEMBLY	59	90157	1	DECAL, CB RATING 30A.
27	75244	1	ASSEMBLY, REMOTE CABLE	60	55440	2	M5-0.8 x 25, CAPSCREW
28	66476	2	M6-1.0 x 12 LG CAPSCREW- W/LOCKWASHER	61	94191	1	DECAL, CUSTOMER CONNECTION
29	86729	1	STARTER CONTACTOR	62	31791	1	CLAMP, HOSE
30	75476	4	M4-0.7 x 16 LG. CAPSCREW	63	23897	3	#10/ M5-FLAT WASHER
31	22264	4	#8/ M4-LOCK WASHER	64	74908	1	M5-0.8 x 10 LONG TAPTITE
32	65795	1	BATTERY CHARGER RECTIFIER	65	23484-S	1	BUSHING
33	90987	2	M3-0.5 x 12 LG. PPHMS	66	75763	1	BOOT, BATTERY CABLE

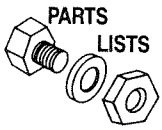


## Section 6 – Exploded Views and Parts Lists

### Generac Q-70G Recreational Vehicle Generator Engine – Drawing No. 79216-E

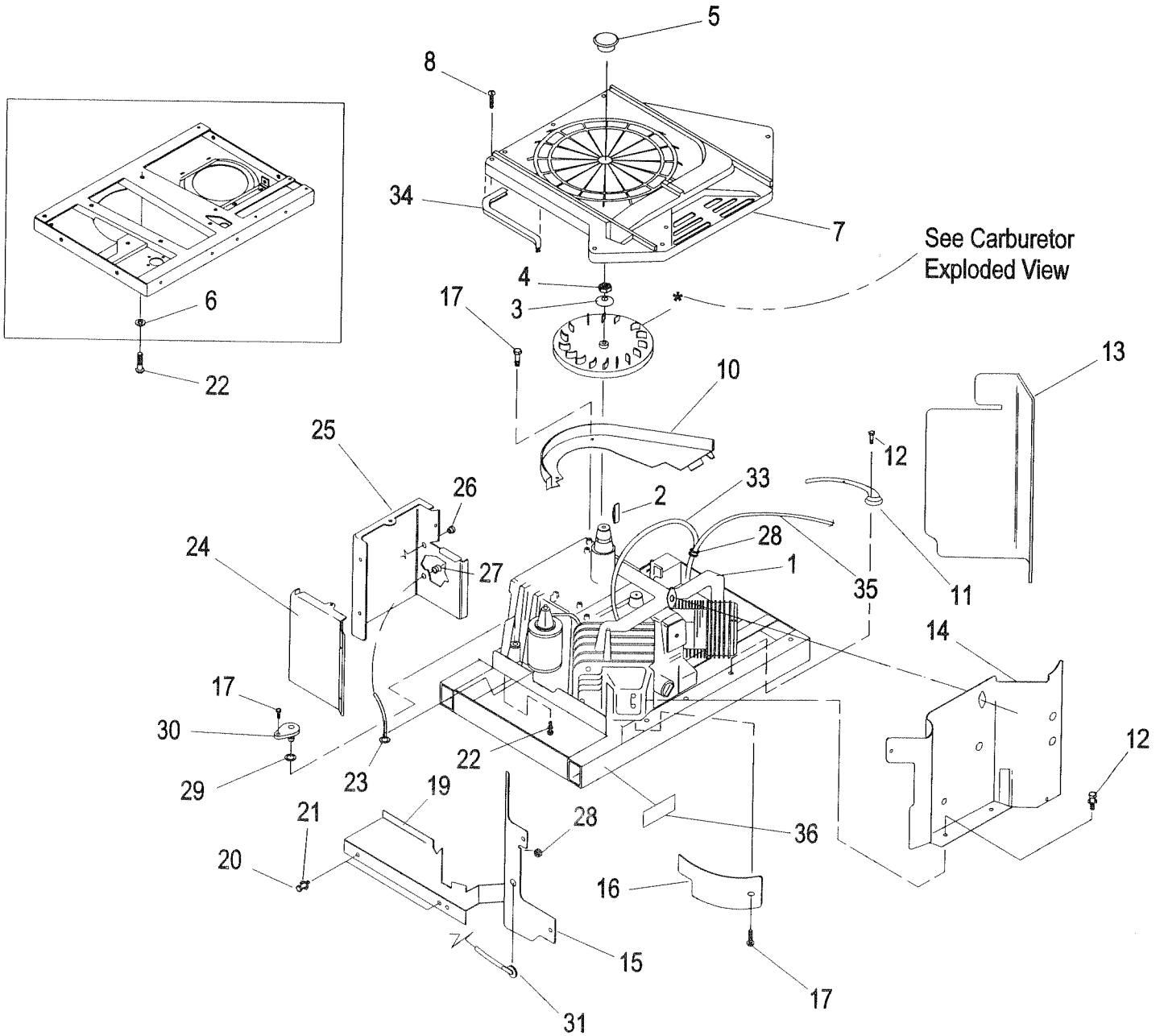


ITEM	PART NO.	QTY.	DESCRIPTION	ITEM	PART NO.	QTY.	DESCRIPTION
1	69331	1	CYLINDER ASSEMBLY	43	75253	4	WASHER VALVE COVER SEAL
2	69333	1	SLEEVE BEARING	44	67885	4	M6 NYLON NUT
3	67805	1	OIL SEAL	45	75254	4	VALVE ADJUST SCREW
4	79234	1	NO. 1 CYLINDER HEAD ASSEMBLY	46	70535	1	OIL SCREEN
5	79235	1	NO. 2 CYLINDER HEAD ASSEMBLY	47	C2881	1	STARTER MOTOR (NOT SHOWN)
6	70169	4	SEALING WASHER	51	72536	4	IGNITION ARMATURE SCREW
7	69332	2	CYLINDER HEAD GASKET	52	72347	2	SPARK PLUG
8	104 85110	1	BREATHER ASSEMBLY	53	75258	1	ENGINE GASKET KIT
9	72315	1	BREATHER GASKET	57	66480	1	AIR CLEANER GASKET
10	89967	1	BREATHER SCREW	59	72361	1	GOVERNOR SHAFT BUSHING
11	70596	1	BREATHER TUBE	60	72362	1	GOVERNOR SHAFT BUSHING
12	69336	1	OIL SUMP GASKET	61	70199	1	BREATHER BAFFLE
13	69325	8	CYLINDER HEAD BOLT	62	72366	1	COTTER PIN
14	67888	2	3/8" NPT OIL DRAIN PLUG	64	72365	1	GOVERNOR SHAFT WASHER
15	72334	1	CRANKSHAFT ASSEMBLY	65	68555	2	CRANKCASE DOWEL
16	75247	1	OIL SUMP ASSEMBLY	66	67806	4	CYLINDER HEAD DOWEL
17	67924	1	OIL SEAL ASSEMBLY	73	68572	2	OIL PUMP SCREW
18	67878	9	OIL SUMP BOLT	74	75272	2	SPARK PLUG TERMINAL
19	75248	2	STANDARD PISTON ASSEMBLY	75	70122	4	VALVE STEM SEAL
20	75249	2	STANDARD PISTON RING SET	76	67910	2	INTAKE VALVE SEAT
21	69327	4	PISTON LOCKING RING	78	67813	4	VALVE GUIDE
22	75250	2	STANDARD PISTON RING	81	70592	1	AIR CLEANER BASE
23	75251	2	CONNECTING ROD ASSEMBLY	82	73123	1	AIR FILTER (NOT SHOWN)
24	72346	4	CONNECTING ROD BOLT	83	70593	1	AIR CLEANER COVER
25	69316	2	EXHAUST VALVE	84	C3633	1	AIR CLEANER COVER SCREW
26	69317	2	INTAKE VALVE	85	67156	2	AIR CLEANER BASE SCREW
27	67816	4	VALVE SPRING	86	69341	1	FOAM PRE-CLEANER
28	69320	4	VALVE SPRING RETAINER	88	70597	1	AIR INLET TUBE
29	70513	4	VALVE KEEPER	89	72305	1	BREATHER DEFLECTOR
30	70584	4	VALVE TAPPET	90	67920	2	VALVE COVER GASKET
31	70530	1	CAMSHAFT ASSEMBLY	91	69328	2	VALVE COVER
32	72358	1	INTAKE MANIFOLD	92	70547	1	OIL PUMP ASSEMBLY
33	69379	2	CARBURETOR MOUNTING GASKET	93	70536	1	GOVERNOR SLIDER
34	67895	2	INTAKE MANIFOLD GASKET	94	70577	4	PUSH ROD
35	70594	2	CARBURETOR MOUNTING BOLT	95	70599	4	ROCKER ARM
36	67158	4	INTAKE MANIFOLD MOUNTING BOLT	97	70566	4	ROCKER ARM SUPPORT
37	68574	1	1/8" NPT PLUG PIPE	98	75271	1	VALVE OVERHAUL KIT
38	68554A	1	GOVERNOR SHAFT SEAL	99	67897	2	EXHAUST GASKET (NOT SHOWN)
39	68573	1	OIL PUMP O-RING	100	91481	1	GASKET AND CAP ASSEMBLY
40	70506	1	OIL GALLEY O-RING	101	91480	1	ROCKER ARM AND COVER
41	70554	1	CARBURETOR SPACER	102	D1198	1	GOVERNOR CRANK
42	70568	4	ROCKER ARM STUD				



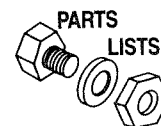
## Section 6 – Exploded Views and Parts Lists

Generac Q-70G Recreational Vehicle Generator  
Engine Sheet Metal – Drawing No. 89403-K



## Section 6 – Exploded Views and Parts Lists

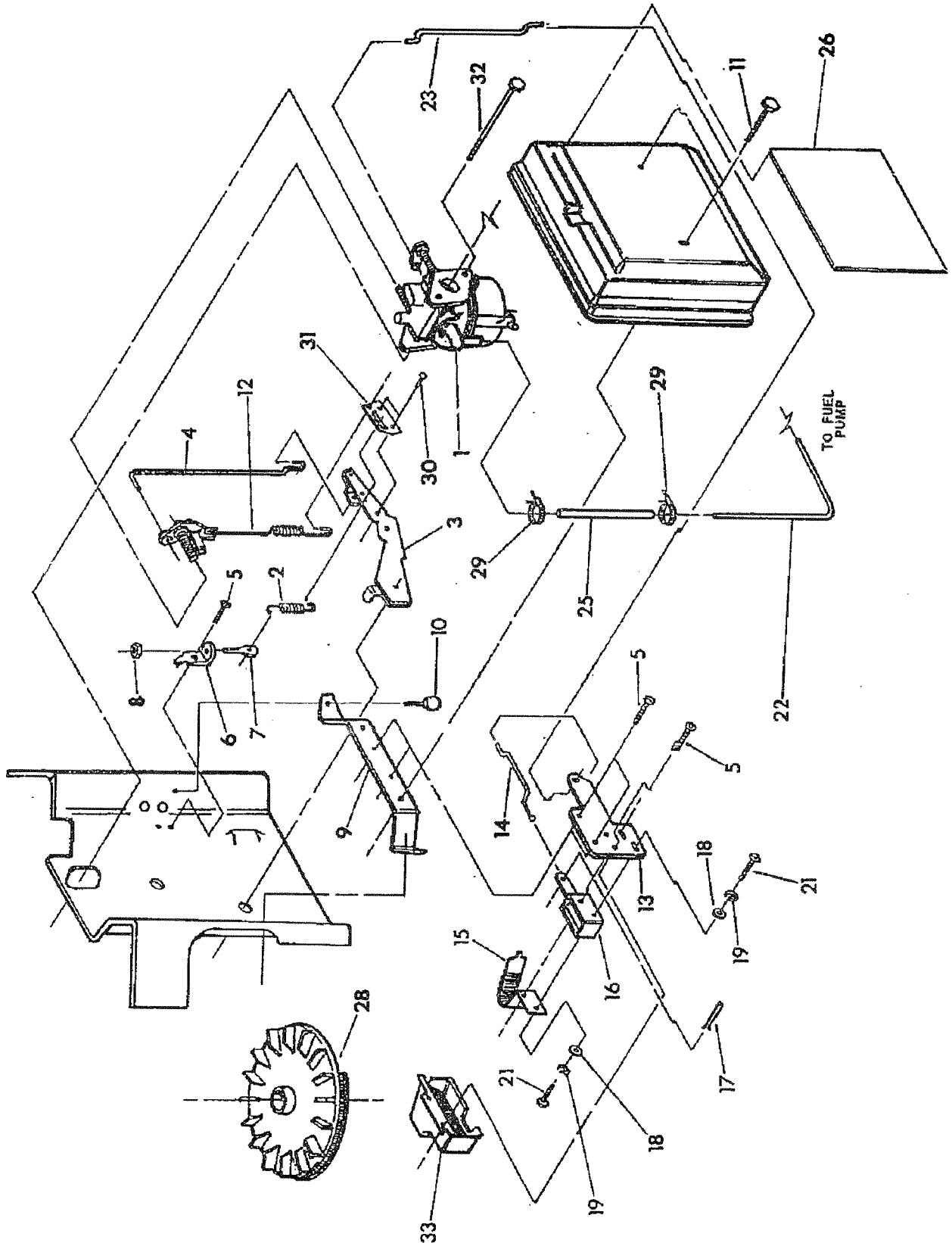
**Generac Q-70G Recreational Vehicle Generator  
Engine Sheet Metal – Drawing No. 89403-K**



ITEM	PART NO.	QTY.	DESCRIPTION
1	-----	1	SEE ENGINE EXPLODED VIEW of ENGINE
2	99258	1	KEY-WOODRUFF 6 x 22MM
3	67198N	1	BEVELED WASHER
4	67890	1	HEX NUT
5	87865	1	PLUG, FLYWHEEL ACCESS
6	A4456	1	3/8" SPECIAL LOCK WASHER
7	86313	1	HOUSING, ENGINE TOP
8	56893	23	SCREW (CRIMPTITE) NO. 10-24 x 1/2"
10	87750	1	SCROLL, FLYWHEEL
11	74916	1	COVER, BASE CYL. #2
12	74908	9	SCREW (TAPTITE) M5 x 10MM
13	73190	1	WRAPPER CYL. #2
14	78858	1	COVER, VALLEY
15	78859	1	WRAPPER, CYL. #1
16	74902	2	WRAPPER, BARREL
17	66476	4	HHCS/LW-M6 x 1.0 x 12MM
19	73191	1	COVER, BASE CYL. #1
20	42907	2	CAPSCREW, HEX HD.-M8 x 1.25 x 16MM
21	22129	2	LOCK WASHER-M8
22	75246	4	SCREW (TAPTITE) 3/8"-16 x 1-1/4"
23	10_-74260	1	WIRE ASSEMBLY-NO, 16
24	74900	1	STARTER COVER
25	73186	1	WRAPPER, CRANKCASE
26	81108	1	BUSHING, SNAP
27	22717B	1	GROMMET -RUBBER
28	22717A	3	GROMMET -RUBBER
29	67866A	1	O-RING
30	77001A	1	PLUG, OIL FILL
31	73132	2	BOOT, SPARK PLUG
33	87858A	1	GROUND WIRE ASEMBLY-CYL. #1
34	29289	2FT.	FOAM TAPE
35	87858B	1	GROUND WIRE ASSEMBLY-CYL. #2
36	50277	1	OIL DRAIN DECAL

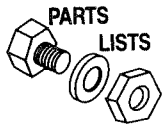


Section 6 – Exploded Views and Parts Lists  
 Generac Q-70G Recreational Vehicle Generator  
 Carburetor – Drawing No. 93753-F



## Section 6 – Exploded Views and Parts Lists

Generac Q-70G Recreational Vehicle Generator  
Carburetor – Drawing No. 93753-F



ITEM	PART NO.	QTY.	DESCRIPTION
1	73112B	1	CARBURETOR ASSEMBLY
2	74962c	1	SPRING, GOVERNOR
	74962g	1	SPRING, GOVERNOR q-70g
3	70155	1	LEVER, GOVERNOR
4	70108	1	ROD, GOVERNOR TO CARBURETOR
5	56893	5	SCREW (CRIMPTITE) - #10-24 X 1/2"
6	74961	1	BRACKET, GOVERNOR ADJUSTER
7	47227	1	SCREW, GOVERNOR ADJUSTER
8	37398	1	NUT, HEX LOCK (NYLON)
9	73131	1	BRACKET, AIR CLEANER SUPPORT
10	66476	2	SCREW, HEX - M6-1.0 X 12MM
11	70575	2	SCREW, HEX - M6-1.0 X 25MM
12	70125	1	SPRING, ANTI-LASH
13	73374	1	BRACKET, CHOKE SUPPORT
14	74947	1	ROD, CHOKE CONTROL
15	89473	1	BI-METAL ASSEMBLY, CHOKE
16	91306	1	SOLENOID, CHOKE
17	77091	1	HAIR PIN, COTTER
18	31879	4	FLAT WASHER - #4
19	22159	4	LOCK WASHER - #4
20	89870	1	SOLENOID FUEL SHUT-OFF (Q70G ONLY)
21	72536	4	SCREW, PAN HD. MACH. - #4-40 X 1/4"
22	87770	1	LINE, FUEL - 5/16" I.D.
23	74946	1	LINK, CHOKE
25	30340	1	HOSE - FUEL, 4.5" LG.
26	C2338B	1	DECAL, AIR CLEANER PRIMEPACT 66G
	C2338	1	DECAL, AIR CLEANER - PRIMEPACT 55G
	91352C	1	DECAL, AIR CLEANER - Q-70G
27	75252	1	KIT, CARBURETOR OVERHAUL - NOT SHOWN
28	A7782A	1	FLYWHEEL ASSEMBLY
29	40173	2	CLAMP, HOSE (SCREW TYPE)
30	66829	2	RIVET - 1/8" DIAMETER X 1/8" LONG
31	75944	1	BRACKET, GOVERNOR SPRING
32	70594	2	CAPSCREW, HEX HD. - M6-1.0 X 93 LG. W/WASHER
33	77075	1	COVER, CHOKE COIL