

# GENERAC<sup>®</sup>

POWER SYSTEMS, INC.

## Owner's Manual

### **GUARDIAN<sup>™</sup>**

by **GENERAC<sup>®</sup>** POWER SYSTEMS

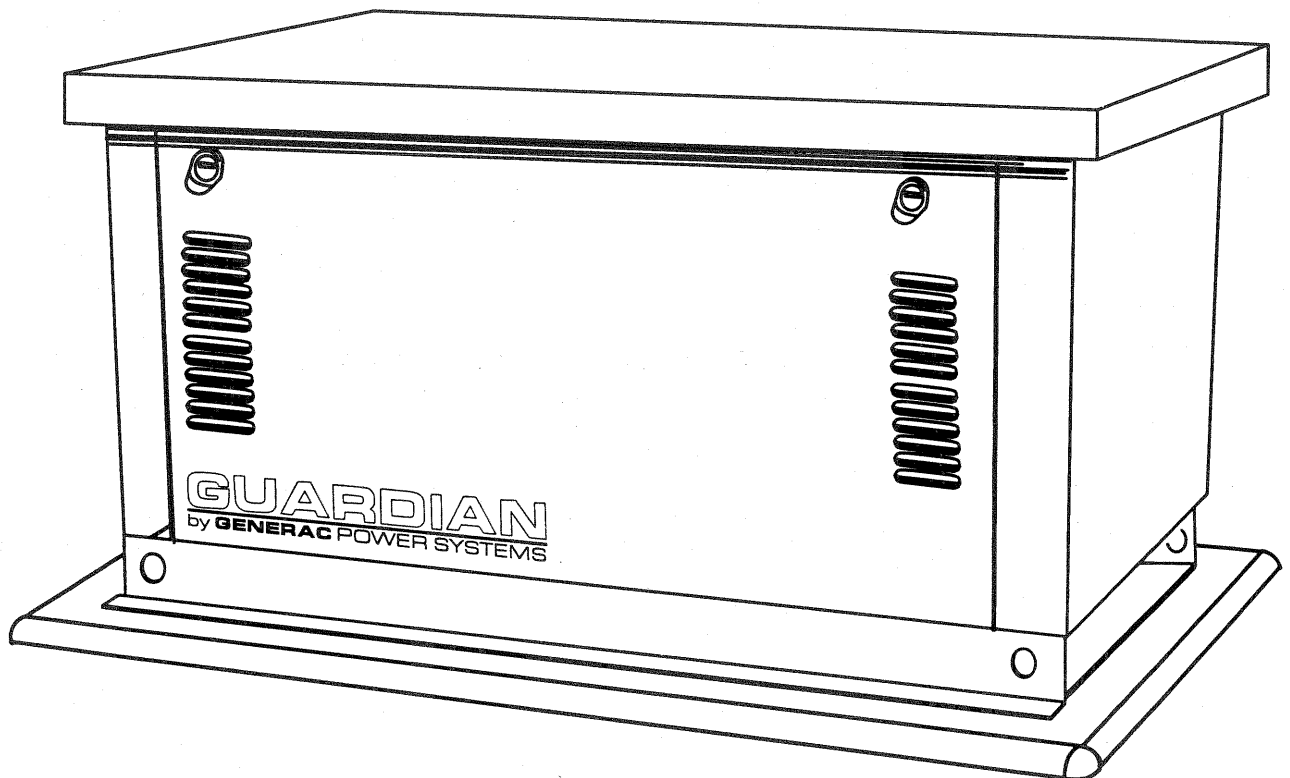
**Air-cooled, Prepackaged  
Standby Generators**

**Models:**

**04077-2 (6 kW)**

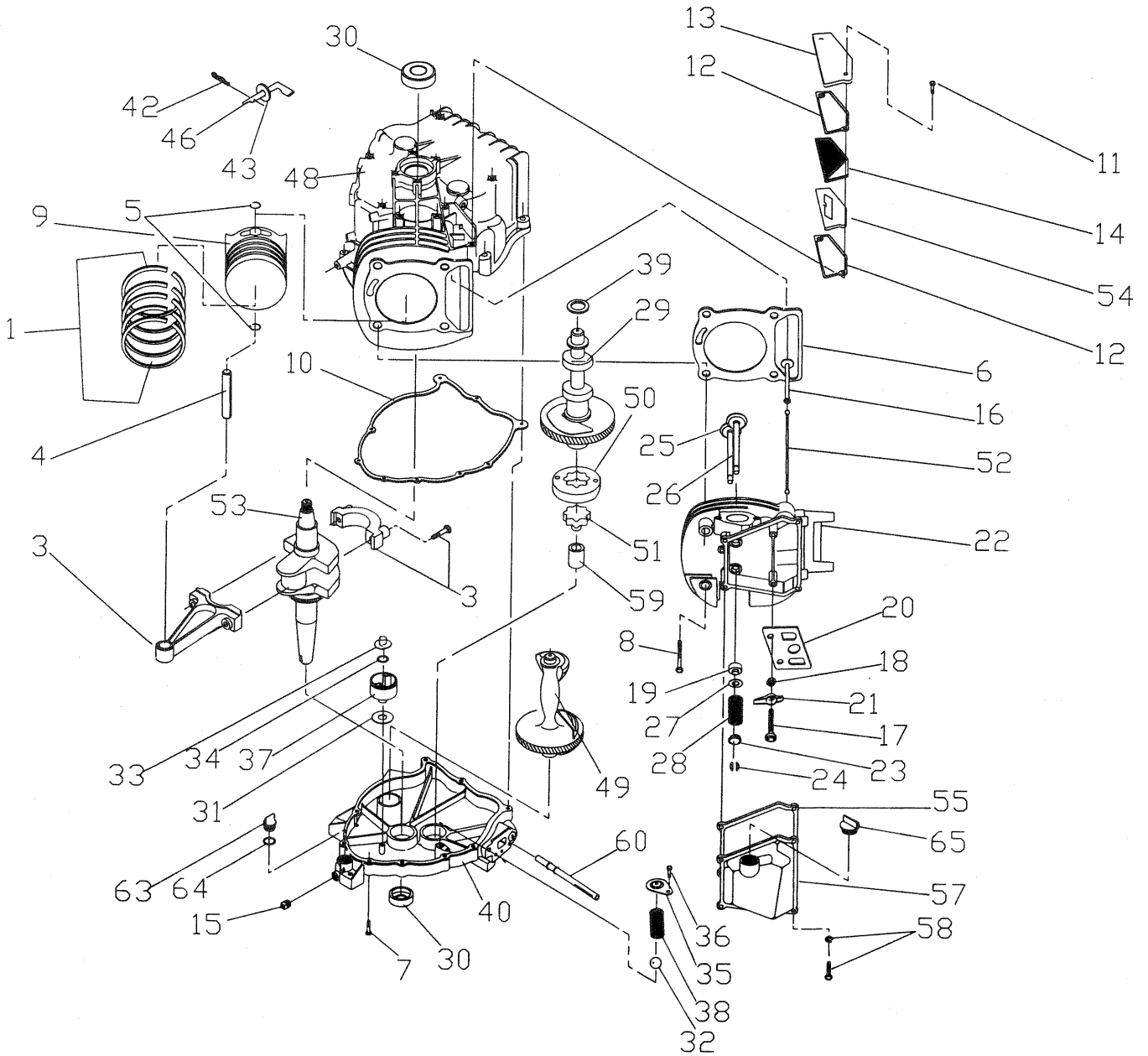
**04109-2 (8 kW)**

**04079-2 (10 kW)**



**Section 7 – Exploded Views and Parts Lists**

**Guardian Air-cooled 6 kW Generator  
GN-410 Engine – Drawing No. A7894-C**



**Section 7 – Exploded Views and Parts Lists**

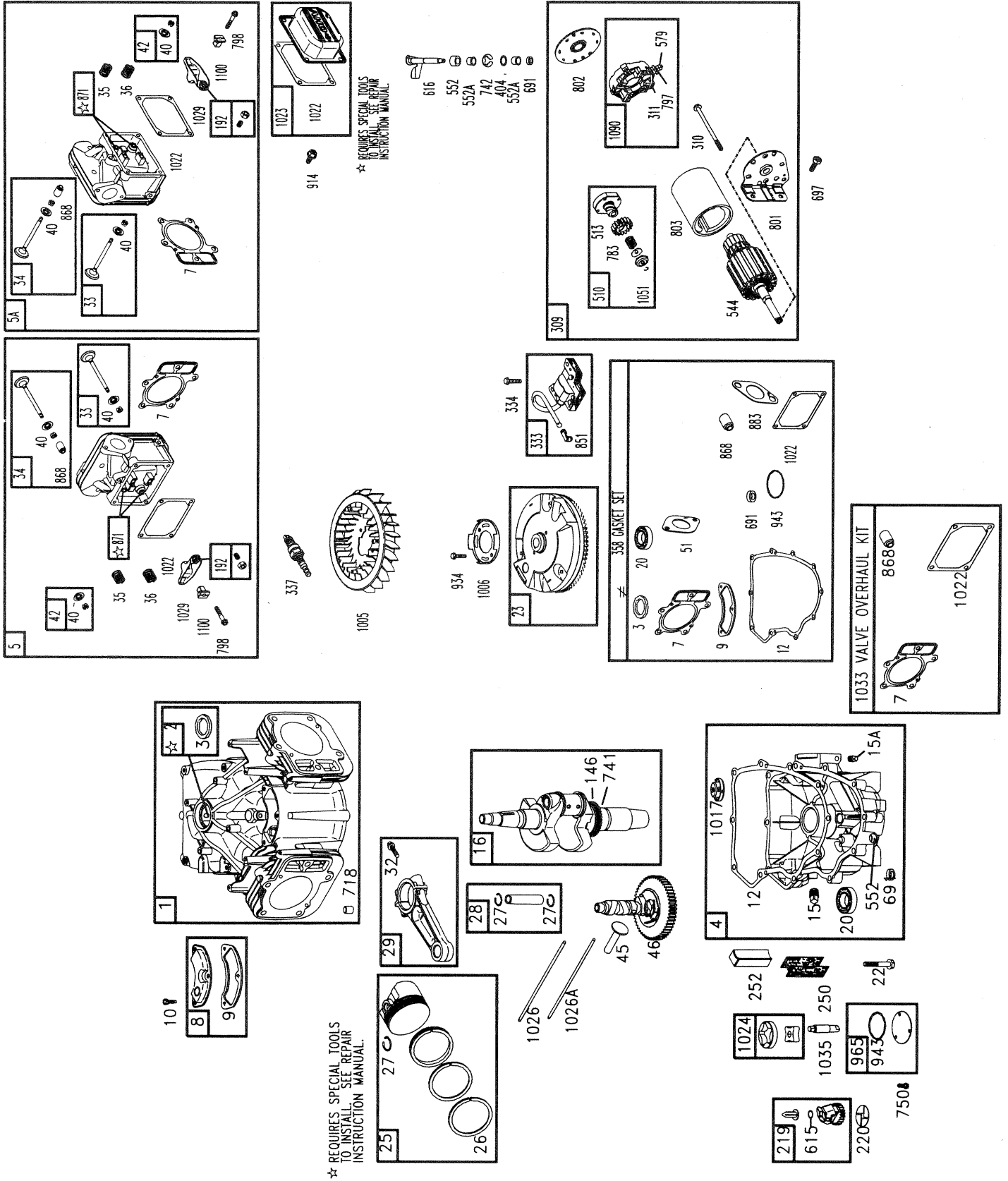
**Guardian Air-cooled 6 kW Generator  
GN-410 Engine – Drawing No. A7894-C**



ITEM	PART NO.	QTY.	DESCRIPTION	ITEM	PART NO.	QTY.	DESCRIPTION
1	21533	1	PISTON RING SET	30	72655	2	CAMSHAFT SEAL
3	71978	1	CONNECTING ROD WITH CAP AND BOLT	31	76361	1	THRUST WASHER
4	71980	1	PISTON PIN	32	A5776	1	PRESSURE RELIEF BALL
5	71983	2	PISTON PIN RETAINER	33	A7308	1	GOVERNOR SPOOL
6	21713B	1	CYLINDER HEAD GASKET	34	78645	1	GOVERNOR RETAINER (C-RING)
7	A1442	8	FLANGED HEX HD. CAP- SCREW M8-1.25 x 42	35	78691	1	COVER, OIL PRESSURE RELIEF
8	21742	4	M10 1.5 x 105MM HHFL	36	74908	1	M5-0.8 x 10MM TAPTITE
9	96699	1	PISTON	37	A8930	1	GOVERNOR GEAR ASSEMBLY
10	76701	1	CRANKCASE GASKET	38	A5771	1	OIL PRESSURE SPRING
11	45756	2	M6 1.0 x 10 TAPTITE (THD. FORMING)	39	B2104	1	SPRING WASHER
12	80308	2	BREATHER GASKET	40	89280D	1	OIL SUMP ASSEMBLY
13	80309	1	BREATHER COVER	42	78658	1	GOVERNOR ARM "R" PIN
14	80338	1	OIL BREATHER SEPARATOR	43	78659	2	THRUST WASHER
15	26925	1	PIPE PLUG-3/8"	48	C3396C	1	CRANKCASE SUB ASSEMBLY
16	83897	2	TAPPET, SOLID	49	84430	1	BALANCER
17	72694	2	PIVOT BALL STUD	50	86002	1	OUTER GEROTOR
18	72696	2	JAM NUT (ROCKER ARM)	51	86026	1	INNER GEROTOR
19	78672	1	SEAL, VALVE STEM	52	88396B	2	PUSH ROD
20	78694	1	PUSH ROD GUIDE PLATE	53	90416A	1	CRANKSHAFT ASSEMBLY
21	83907	2	ROCKER ARM	54	90747	1	BREATHER VALVE ASSEMBLY
22	21714	1	CYLINDER HEAD W/VALVE SEATS AND GUIDES	55	C3150	1	ROCKER COVER GASKET
23	86514	2	VALVE SPRING RETAINER	57	92362	1	ROCKER COVER W/FILL
24	86515	4	VALVE SPRING KEEPER	58	79246	4	M6-1.0 x 16MM HEX HEAD. SCREW AND LOCK WASHER
25	86516	1	EXHAUST VALVE	59	83921	1	BEARING TUBE SHAFT
26	86517	1	INTAKE VALVE	60	77158	1	OIL SCREEN PICKUP ASSEMBLY
27	89673	2	WASHER, VALVE SPRING	63	76329	1	OIL FILL PLUG
28	91308	2	VALVE SPRING	64	86254	1	"O" RING 17.8 I.D. x 2.4 THICK
29	A9877	1	CAMSHAFT ASSEMBLY	65	93064	1	OIL FILL CAP ASSEMBLY

**Section 7 – Exploded Views and Parts Lists**

**Guardian 8 kW and 10 kW Generators  
GN-724 Engine – Drawing No. C2474-**



## Section 7 – Exploded Views and Parts Lists

**Guardian 8 kW and 10 kW Generators  
GN-724 Engine – Drawing No. C2474-**

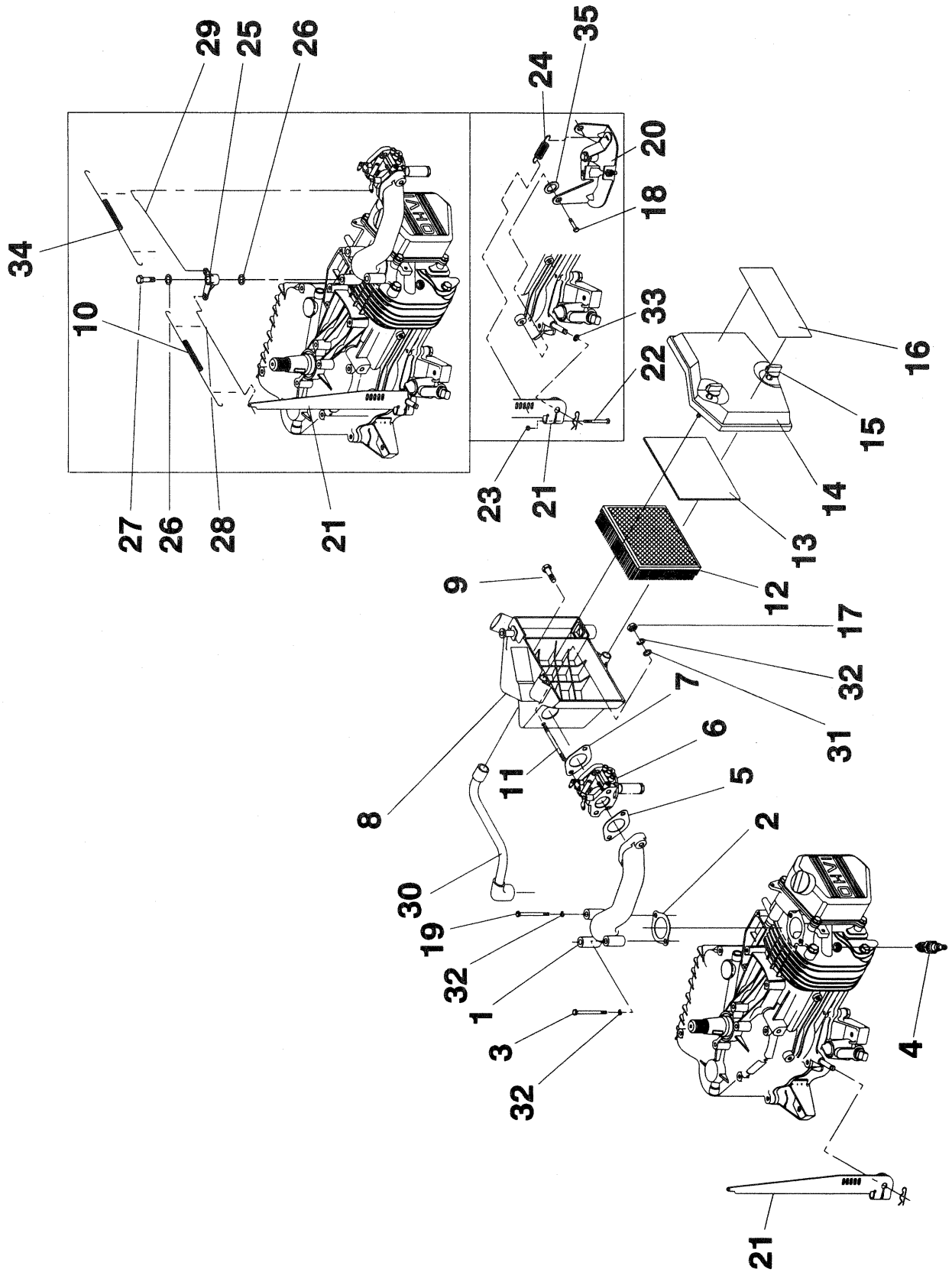


ITEM	PART NO.	QTY.	DESCRIPTION	ITEM	PART NO.	QTY.	DESCRIPTION
	C1198		GN-724 ENGINE	309	149-C1198	1	MOTOR STARTER
1	100-C1198	1	CYLINDER ASSEMBLY	310	150-C1198	1	BOLT (STARTER MOTOR)
2	101-C1198	1	BUSHING/SEAL KIT (MAGNETO SIDE)	311	151-C1198	1	BRUSH SET
3	102-C1198	1	OIL SEAL	333	153-C1198	1	MAGNETO ARMATURE
4	103-C1198	1	ENGINE SUMP	334	154-C1198	1	SCREW (MAGNETO ARMATURE)
5	104-C1198	1	CYLINDER HEAD (CYLINDER #1)	337	72347	1	SPARK PLUG
5A	105-C1198	1	CYLINDER HEAD (CYLINDER #2)	358	155-C1198	1	ENGINE GASKET SET
7	106-C1198	1	CYLINDER HEAD GASKET	404	156-C1198	1	WASHER (GOVERNOR CRANK)
8	107-C1198	1	BREATHER ASSEMBLY	510	157-C1198	1	DRIVE-STARTER
9	108-C1198	1	BREATHER GASKET	513	75261	1	CLUTCH-DRIVE
10	109-C1198	1	SCREW (BREATHER ASSEMBLY)	552	158-C1198	1	BUSHING-GOVERNOR CRANK
12	110-C1198	1	CRANKCASE GASKET	552A	159-C1198	1	BUSHING-GOVERNOR CRANK
15	112-C1198	1	OIL DRAIN PLUG	579	160-C1198	1	NUT (STARTER CABLE)
15A	113-C1198	1	OIL DRAIN PLUG	615	161-C1198	1	RETAINER-GOVERNOR SHAFT
16	114-C1198	1	CRANKSHAFT	616	162-C1198	1	CRANK-GOVERNOR
20	115-C1198	1	OIL SEAL	691	165-C1198	1	GOVERNOR SHAFT SEAL
22	116-C1198	1	SCREW (ENGINE SUMP)	697	166-C1198	1	SCREW (DRIVE CAP)
23	117-C1198	1	FLYWHEEL	718	167-C1198	1	PIN-LOCATING
25	119-C1198	1	PISTON ASSEMBLY (STANDARD)	741	168-C1198	1	GEAR-TIMING
	120-C1198	1	PISTON ASSEMBLY (.010 OVERSIZE)	742	169-C1198	1	E-RING RETAINER
	121-C1198	1	PISTON ASSEMBLY (.020 OVERSIZE)	750	170-C1198	1	SCREW (OIL PUMP COVER)
	122-C1198	1	PISTON ASSEMBLY (.030 OVERSIZE)	783	171-C1198	1	GEAR-PINION
26	123-C1198	1	RING SET (STANDARD)	797	173-C1198	1	NUT (BRUSH RETAINER)
	124-C1198	1	RING SET (.010 OVERSIZE)	798	174-C1198	1	SCREW (ROCKER ARM)
	125-C1198	1	RING SET (.020 OVERSIZE)	801	175-C1198	1	CAP-DRIVE
	126-C1198	1	RING SET (.030 OVERSIZE)	802	176-C1198	1	CAP-END
27	127-C1198	1	PISTON PIN LOCK	851	75272	1	SPARK PLUG TERMINAL
28	128-C1198	1	PISTON PIN (STANDARD)	868	193-C1198	1	VALVE SEAL
29	129-C1198	1	CONNECTING ROD (STANDARD)	914	109-C1198	1	SCREW (ROCKER COVER)
32	130-C1198	1	SCREW (CONNECTING ROD)	934	177-C1198	1	SCREW (FAN RETAINER)
33	131-C1198	1	EXHAUST VALVE	943	178-C1198	1	O-RING SEAL (OIL PUMP COVER)
34	132-C1198	1	INTAKE VALVE	965	179-C1198	1	OIL PUMP COVER
35	133-C1198	1	VALVE SPRING (INTAKE)	1005	180-C1198	1	FAN-FLYWHEEL
36	133-C1198	1	VALVE SPRING (EXHAUST)	1006	181-C1198	1	RETAINER-FAN
40	134-C1198	1	VALVE RETAINER	1017	182-C1198	1	OIL PUMP SCREEN
42	193-C1198	1	VALVE KEEPER ASSEMBLY	1022	183-C1198	1	GASKET-ROCKER COVER
45	124-85110	1	VALVE TAPPET	1023	184-C1198	1	COVER-ROCKER (CYLINDER #2)
46	136-C1198	1	CAMSHAFT	1024	185-C1198	1	PUMP-OIL
146	138-C1198	1	TIMING KEY	1026	186-C1198	1	ROD-PUSH (STEEL)
192	139-C1198	1	ROCKER ARM ADJUSTOR	1026A	187-C1198	1	ROD-PUSH (ALUMINUM)
219	144-C1198	1	GOVERNOR GEAR	1029	188-C1198	1	ROCKER ARM
220	145-C1198	1	WASHER (GOVERNOR GEAR)	1033	189-C1198	1	VALVE OVERHAUL KIT
250	146-C1198	1	BREATHER RETAINER	1035	190-C1198	1	SHAFT-PUMP
252	147-C1198	1	OIL COLLECTOR	1051	191-C1198	1	RING-RETAINING
				1090	192-C1198	1	RETAINER-BRUSH
				1100	230-85110	1	ROCKER ARM PIVOT

**Section 7 – Exploded Views and Parts Lists**

**Guardian Air-cooled 6 kW Generator**

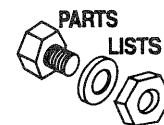
**GN-410 Engine Accessories – Drawing No. C2910-**



Section 7 – Exploded Views and Parts Lists

Guardian Air-cooled 6 kW Generator

GN-410 Engine Accessories – Drawing No. C2910-



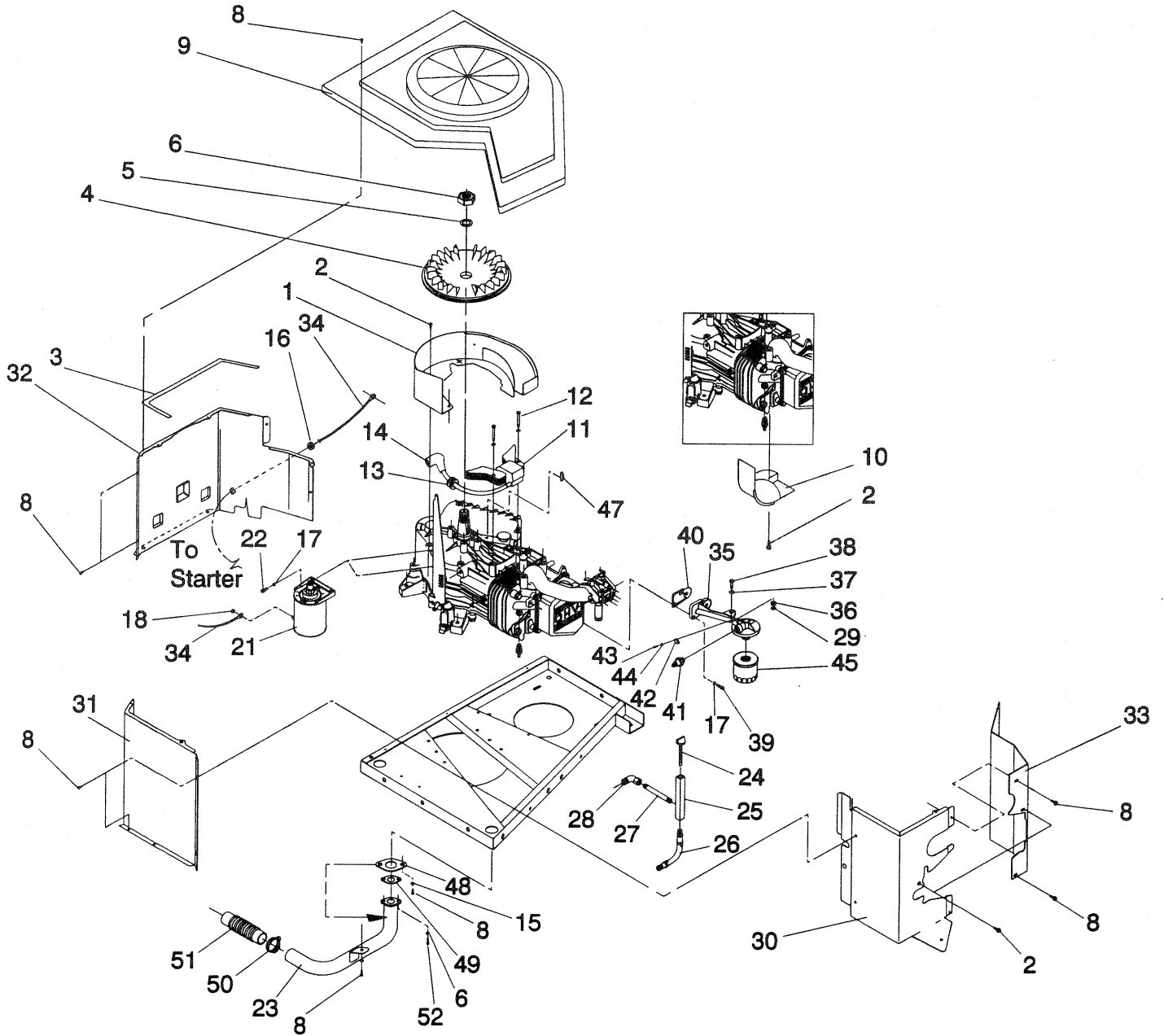
ITEM	PART NO.	QTY.	DESCRIPTION	ITEM	PART NO.	QTY.	DESCRIPTION
1	A6532	1	MANIFOLD, INTAKE	21	91916	1	LEVER, GOVERNOR ARM
2	91039	1	GASKET, INTAKE ADAPTOR	22	83532	1	BOLT, HEX HD. WASHER/LOCK
3	51753	1	HHCS-M6-1.0 x 40 LG				WASHER-M6-1.0 x 30 LG
4	72347	1	SPARK PLUG	23	86681	1	NUT, GOVERNOR LEVER
5	89228	1	GASKET, CARB./MANIFOLD	24	74962C	1	SPRING, GOVERNOR
6	A7336B	1	CARBURETOR	25	91633	1	BELLCRANK, GOV. RODS
7	90970	1	GASKET, AIR CLEANER	26	92586	2	WASHER, FELT-BELLCRANK
8	A6564	1	BASE, AIR CLEANER	27	91161	1	BOLT, SHOULDER M6-1.0 x
9	56893	2	CRIMPTITE-#10-24 x 1/2" LG				15 LG
10	A6778	1	SPRING, ANTILASH.	28	A6913	1	ROD, LINKAGE GOV. LEVER-
11	96290	2	STUD, CARB. MOUNT M6-1.0 x				BELLCRANK
			90 LG	29	A6785	1	ROD, LINKAGE BELLCRANK-
12	73111	1	FILTER, AIR				CARB.
13	81646	1	PRE-CLEANER, AIR FILTER	30	A6581	1	BREATHER TUBE, HOSE
14	A6563	1	COVER, CLEANER	31	22473	2	M6-FLAT WASHER
15	C3633	2	SCREW ASSEMBLY, AIR	32	22097	4	M6-LOCK WASHER
			CLEANER	33	A7029	1	NYLON WASHER .31" x .26" x
16	C1228	1	DECAL, AIR CLEANER				.13"
17	49813	2	M6-1.0-NUT	34	A6780	1	SPRING, ANTILASH BELL-
18	83512	2	TAPTITE-M8-1.25 x 15 LG				CRANK TO CARB.
19	20753	1	HHCS-M6-1.0 x 60 LG	35	22145	1	M8-FLAT WASHER
20	92164	1	GOV. SPRING -ADJUSTMENT				
			BRACKET				



## Section 7 – Exploded Views and Parts Lists

Guardian Air-cooled 6 kW Generator

GN-410 Sheet Metal – Drawing No. C2480-





Section 7 – Exploded Views and Parts Lists

Guardian Air-cooled 6 kW Generator  
GN-410 Sheet Metal – Drawing No. C2480-

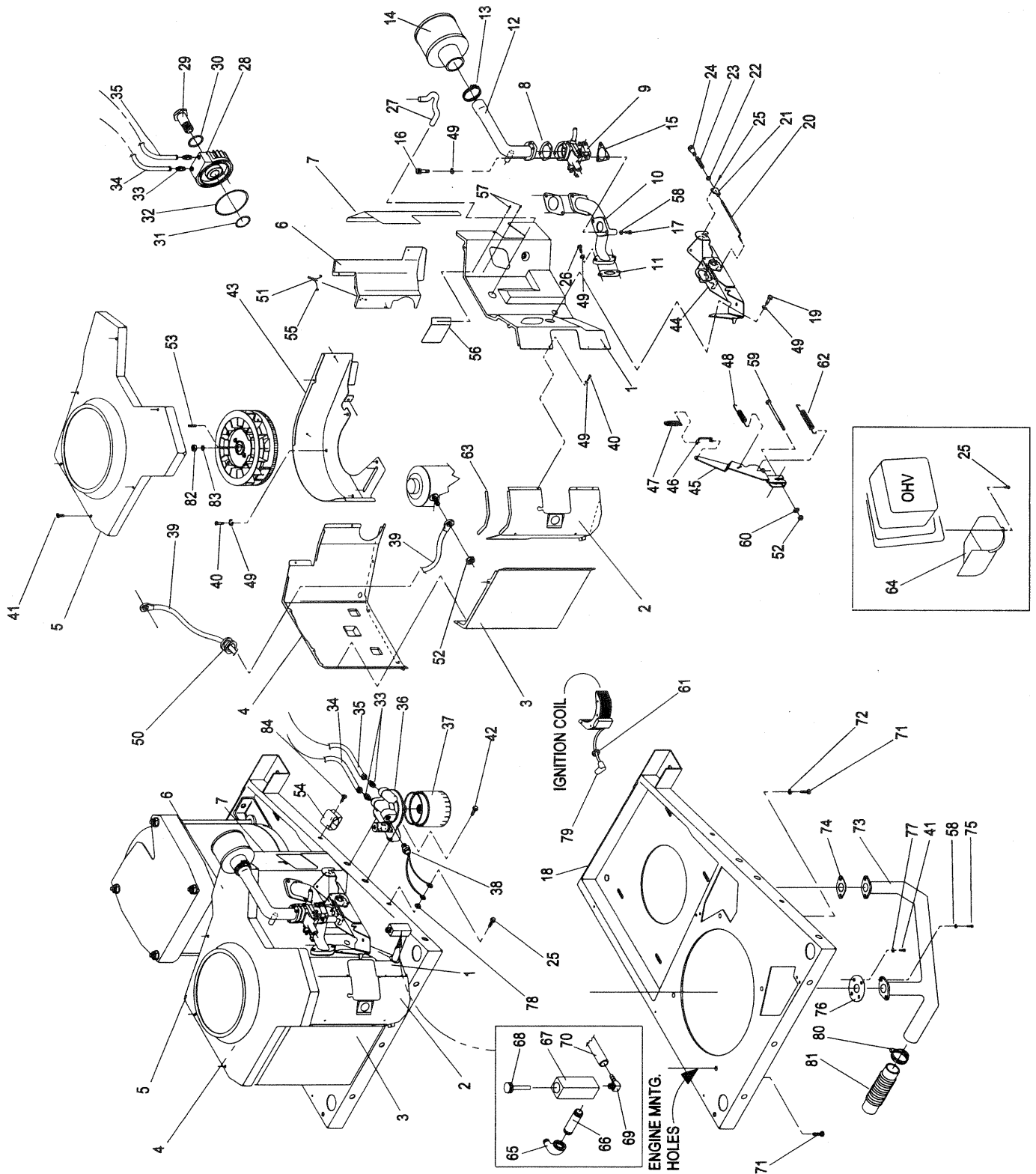


ITEM	PART NO.	QTY.	DESCRIPTION	ITEM	PART NO.	QTY.	DESCRIPTION
1	A4323	1	SCROLL, FLYWHEEL	28	38593	1	BRASS STREET ELBOW, 3/8"
2	45756	9	SCREW, TAPTITE M6-1.0 x 10 LG	29	22473	1	FLAT WASHER, 1/4"-M6
3	29289	2.5 FT.	FOAM TAPE	30	A6357A	1	WRAPPER, ENGINE SPARK PLUG
4	SRV-91222-F	1	FLYWHEEL, MAGNETIZED	31	90954B	1	WRAPPER, STARTER SIDE
5	67198-N	1	WASHER, BELLVILLE M20	32	A6489A	1	WRAPPER, REAR GEAR CASE
6	67890	1	NUT, M20 x 1.5	33	A6359A	1	WRAPPER, CARB. SIDE
7	A4456	1	3/8" SPECIAL LOCK WASHER	34	11-74260	1	ASSEMBLY, WIRE-STARTER (#16)
8	56893	27	SCREW, CRIMPTITE #10-24 x .5" LG	35	90892	1	SUPPORT, OIL FILTER
9	A6358	1	COVER, TOP FLYWHEEL	36	91159	1	BUSHING, RUBBER
10	91646	1	DEFLECTOR, EXHAUST PORT	37	91160	1	WASHER, RUBBER
11	92572	1	ASSEMBLY, IGNITION COIL	38	91161	1	BOLT, SHOULDER-M6-1.0 x 15 LG.
12	92079	2	SCREW, TAPTITE M6-1.0 x 25 LG	39	49821	2	BOLT, SOCKET HD. CAPSCR.-M8-1.25 x 30 LG
13	22717A	1	GROMMET, RUBBER	40	86999	1	GASKET, OIL FILTER SUP-PORT ADAPTER
14	73132	1	BOOT, SPARK PLUG	41	60108	1	SWITCH, OIL PRESSURE-10 PSI
15	23897	3	#10 FLAT WASHER	42	75281	1	SWITCH, OIL TEMPERATURE
16	89685	1	GROMMET, RUBBER	43	70728	2	SCREW, PHILIPS PAN HD. MACH.-M3-.5 x 5 LG
17	22129	8	LOCK WASHER-M8	44	43182	2	LOCK WASHER-M3
18	22127	1	HEX NUT-1/4"-20	45	70185	1	FILTER, OIL
19	57821	2	CAPSCR., HEX HD.-M8-1.25 x 40 LG	46	C3304	1	ENGINE, LONG BLOCK-GN410VSRV
20	59637	4	SCREW, TAPTITE 3/8"-16 x .75" LG	47	82774	1	KEY, WOODRUFF 4 x 19 DIA.
21	21544	1	MOTOR, STARTER-12VOLT	48	C1951	1	GASKET
22	40976	2	SOCKET HD. CAPSCR., M8-1.25 x 20 LG	49	90239	1	GASKET
23	A9841	1	EXHAUST MANIFOLD	50	C2866	1	CLAMP-1.25"
24	A8875	1	ASSEMBLY, DIPSTICK & CAP	51	A9816	1	EXHAUST FLEX
25	A7299	1	OIL DRAIN/DIPSTICK TUBE	52	40976	2	M8- 1.25 x 20 SOCKET HEAD
26	A9539	1	OIL DRAIN HOSE ASSEMBLY				
27	31580	1	PIPE NIPPLE, 3/8" x 8.5" LG.				

**Section 7 – Exploded Views and Parts Lists**

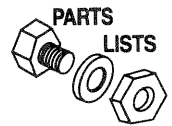
**Guardian 8 kW and 10 kW Generators**

**GN-724 Engine Accessories and Sheet Metal – Drawing No. C2371-**



## Section 7 – Exploded Views and Parts Lists

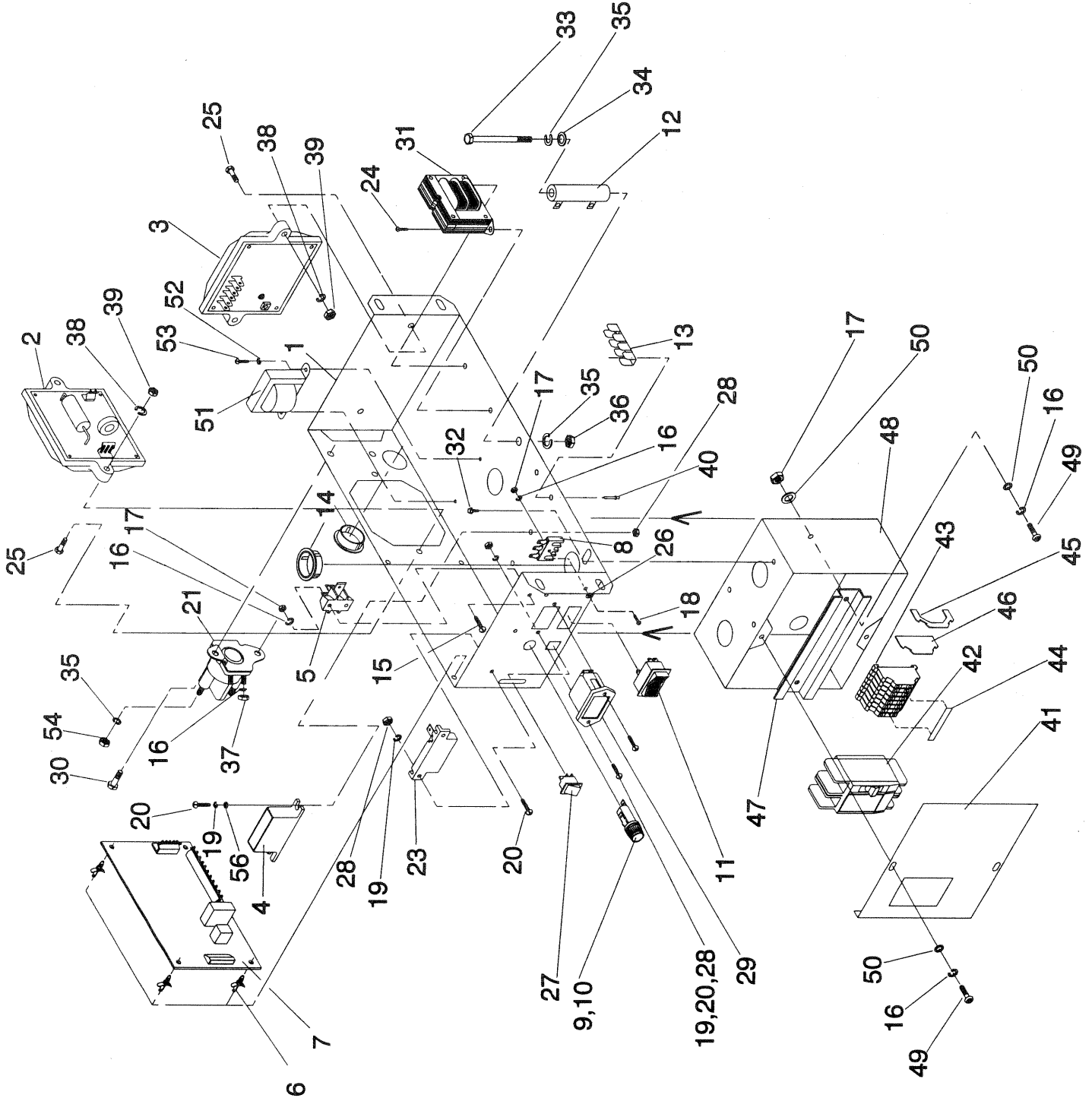
**Guardian 8 kW and 10 kW Generators**  
**GN-724 Engine Accessories and Sheet Metal – Drawing No. C2371-**



ITEM	PART NO.	QTY.	DESCRIPTION	ITEM	PART NO.	QTY.	DESCRIPTION
1	C1350A	1	WRAPPER, VALLEY	41	56893	29	10-24 x 1/2" CRIMPTITE
2	C1351A	1	WRAPPER, CYLINDER #1	42	A2311	2	1/4-20 x 1" TAPTITE
3	C1354A	1	STARTER, WRAPPER	43	C1349	1	SCROLL, FLYWHEEL
4	C1353A	1	WRAPPER, CRANKCASE	44	C1677	1	GOVERNOR BRACKET
5	C1355	1	10KW COVER, ENGINE	45	C1676	1	GOVERNOR LEVER
	C1355A	1	8KW COVER, ENGINE	46	C1679	1	GOVERNOR LINKAGE
6	C1352A	1	WRAPPER, CYLINDER #2-BACK	47	C1680	1	SPRING, ANTI-LASH
			#2-FRONT	48	C1859	1	SPRING, IDLE
7	C1468A	1	WRAPPER, CYLINDER #2-FRONT	49	22097	16	1/4" LOCK WASHER
				50	22717B	1	GROMMET
8	66480	1	GASKET, AIR CLEANER	51	22717A	1	GROMMET
9	C1460	1	CARBURETOR	52	22127	2	1/4-20 HEX NUT
10	C1285	1	MANIFOLD INTAKE	53	C2420	1	KEY
11	C1625	2	GASKET, INTAKE	54	65852	1	CLIP
12	C2784	1	TUBE, INTAKE	55	C2441	1	WIRE DIODE ASSEMBLY
13	35685	1	CLAMP, #28	56	C1863	1	BAFFLE
14	70941	1	FILTER, AIR	57	36261	2	POP RIVET, 1/8" x .23 S.S.
15	C1626	1	GASKET, CARBURETOR	58	22129	6	5/16" LOCK WASHER
16	C2689	4	M6-1.0 x 16 SOCKET HEAD SCREW	59	C2693	1	CARRIAGE BOLT 1/4-20 x 1-3/8"
				60	49811	1	M6 FLAT WASHER
17	39287	2	M8-1.25 x 45 HEX HEAD BOLT	61	91159	2	RUBBER BUSHING
18	A9736	1	FRAME, 10KW	62	74962A	1	SPRING, GOVERNOR
	A9736A	1	FRAME, 8KW	63	C2145	1	GASKET, SET ENGINE COVER
19	22287	2	1/4-20 x 3/4" HEX HEAD BOLT	64	74902	2	SHIELD WRAPPER
20	C2421	1	ROD, SPEED CONTROL	65	38593	1	90 DEG. ST. ELBOW 3/8"
21	C2425	1	BRACKET, SPEED CONTROL	66	C1983	1	3/8" x 11-1/4" PIPE
22	C2424	1	CAP, SPRING	67	A7299	1	DIPSTICK TUBE
23	C2422	1	SPRING, SPEED CONTROL	68	A8875	1	DIPSTICK & CAP
24	C2423	1	NUT, SPEED CONTROL	69	43790A	1	90 DEG. HOSE FITTING 3/8" x 3/8"
25	74908	4	M5-0.8 x 10 TAPTITE				
26	22413	4	1/4-20 x 1" HEX HEAD BOLT	70	C2078	1	OIL DRAIN HOSE
27	C1702	1	BREATHER HOSE	71	75246	4	3/8-16 x 1-1/4" TAPTITE
28	A9027	1	OIL ADAPTOR	72	A4456	1	3/8" SPECIAL LOCK WASHER
29	A9028	1	OIL ADAPTOR BOLT	73	A9820	1	EXHAUST MANIFOLD
30	C1557	1	O-RING, 13/16" I.D.	74	C1624	2	EXHAUST GASKET
31	C1547	1	O-RING, 7/8"	75	75789	4	5/16-18 x 3/4" SOCKET HEAD SCREW
32	C1546	1	O-RING, 2-3/8"				
33	74948	4	FITTING, 5/16" COMPRESSION	76	C1950	2	GASKET, EXHAUST
34	C1623	1	OIL TUBE, RETURN	77	23897	6	#10 FLAT WASHER
35	C1622	1	OIL TUBE, OUT	78	23762	1	STAR WASHER #10
36	A6898	1	OIL FILTER SUPPORT	79	73132	2	BOOT, SPARK PLUG
37	70185	1	OIL FILTER	80	C2866	1	CLAMP
38	60108	1	OIL PRESSURE SWITCH	81	A9816	1	EXHAUST FLEX
39	11-74260	1	STARTER CABLE	82	C2418	1	NUT, FLYWHEEL
40	22507	6	1/4-20 x 1/2" HEX HEAD BOLT	83	C2419	1	WASHER, FLYWHEEL
				84	C2824	1	TAP-R 10-32 x 9/16"

**Section 7 – Exploded Views and Parts Lists**

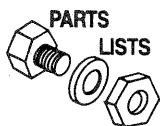
**Guardian Air-cooled 6 kW, 8 kW and 10 kW Generators  
Control Panel Assembly – Drawing No. C2373-**



**Section 7 – Exploded Views and Parts Lists**  
**Guardian Air-cooled 6 kW, 8 kW and 10 kW Generators**  
**Control Panel Assembly – Drawing No. C2373-**

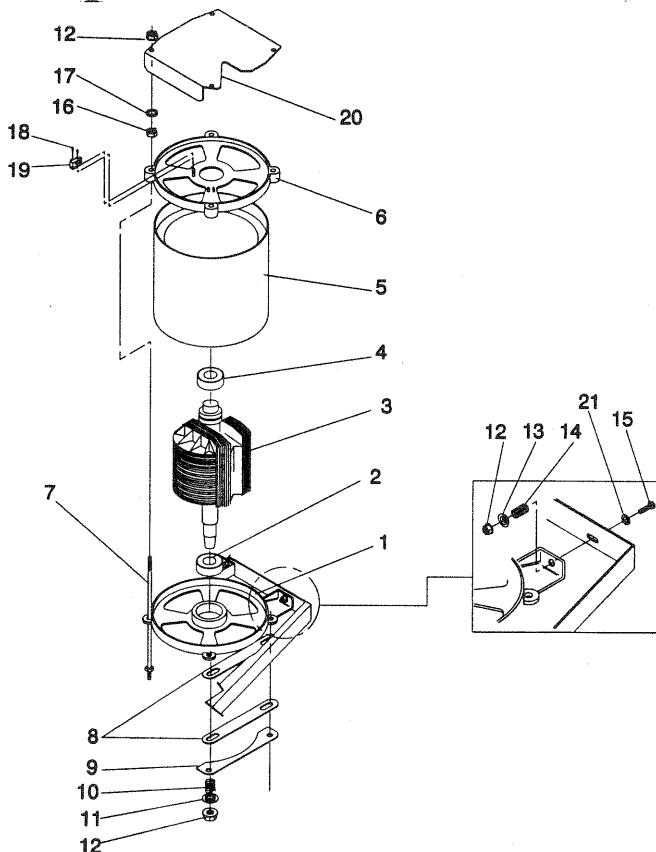


ITEM	PART NO.	QTY.	DESCRIPTION	ITEM	PART NO.	QTY.	DESCRIPTION
1	A9909	1	CONTROL PANEL	27	92113	1	SWITCH SPDT (MOM)
2	A1801	1	ASSEMBLY, ENGINE BATTERY CHARGER	28	51714	4	M3-0.5 HEX NUT
3	83048	1	ASSEMBLY, VOLTAGE REGULATOR	29	C1457	1	HOURMETER
4	C2174	1	RELAY, 12V. 25A SPST	30	A2110	2	SWAGEFORM, ¼"-20
5	75210A	1	TERMINAL BLOCK	31	99076	1	TRANSFORMER, 16V 56VA
6	40213	4	PCB SUPPORT, SNAP-IN	32	74908	3	M5-0.8 x 10 TAPTITE
7	C1537	1	ASSEMBLY, PCB CONTROLLER	33	A2053	1	M6-1.0 x 65 HEX HEAD
8	65795	1	RECTIFIER, BATTERY CHARGER	34	22473	1	M6 FLAT WASHER
9	32300	1	HOLDER, FUSE	35	22097	3	M6 LOCK WASHER
10	22676	1	FUSE, 15 AMP.	36	49813	1	M6-1.0 HEX NUT
11	33873	1	SWITCH, DPDT-ROCKER	37	22471	2	#8-32 HEX NUT
12	75234	1	RESISTER, 1 OHM 25W	38	49226	4	M5 LOCK WASHER
13	A2769	1	LUG, GROUND 8-TABS	39	51716	4	M5-0.8 HEX NUT
14	23484F	3	SNAP BUSHING	40	36261	2	POP RIVET 1/8 x .23
15	75476	2	M4-0.7 x 16 PHILLIPS PAN HEAD	41	A9896	1	BOX COVER
16	22264	9	M4 LOCK WASHER	42	A9947B	1	45A CIRCUIT BREAKER (10KW)
17	51715	5	M4-0.7 HEX NUT		A9947A	1	35A CIRCUIT BREAKER (8KW)
18	80077	1	M4-0.7 x 20 PHILLIPS PAN HEAD		A9947	1	25A CIRCUIT BREAKER (6KW)
19	43182	6	M3 LOCK WASHER	43	A9992A	8	TERMINAL BLOCK
20	43181	6	M3-0.5 x 10 PAN HEAD	44	A9992D	1	NUMBER STRIP
21	86729	1	STARTER CONTACTOR	45	A9992B	2	END BRACKETS
22	C1227	1	DECAL, CONTROL PANEL (NOT SHOWN)	46	A9992C	1	INSULATING PLATE
23	54502	1	CIRCUIT BREAKER AUTO RESET	47	A9872	1	DIN RAIL
24	A1495	2	M4-0.7 x 10 TAPTITE	48	A9895	1	CONNECTION BOX
25	75235	4	M5-0.8 x 30 HEX HD.	49	75475	4	M4 x 0.7 x 10 PMMS
26	22985	1	M4/#6 FLAT WASHER	50	38150	6	M4 FLAT WASHER
				51	C2657	1	TRANSFORMER, 16V 6VA
				52	22155	2	#6 LOCK WASHER
				53	C1381	2	#6-32 x ¼" PHILLIPS PAN HEAD, SELF TAPPING
				54	22127	2	¼-20 HEX NUT
				55	C1226	1	HARNESS (NOT SHOWN)
				56	31879	2	#4 FLAT WASHER



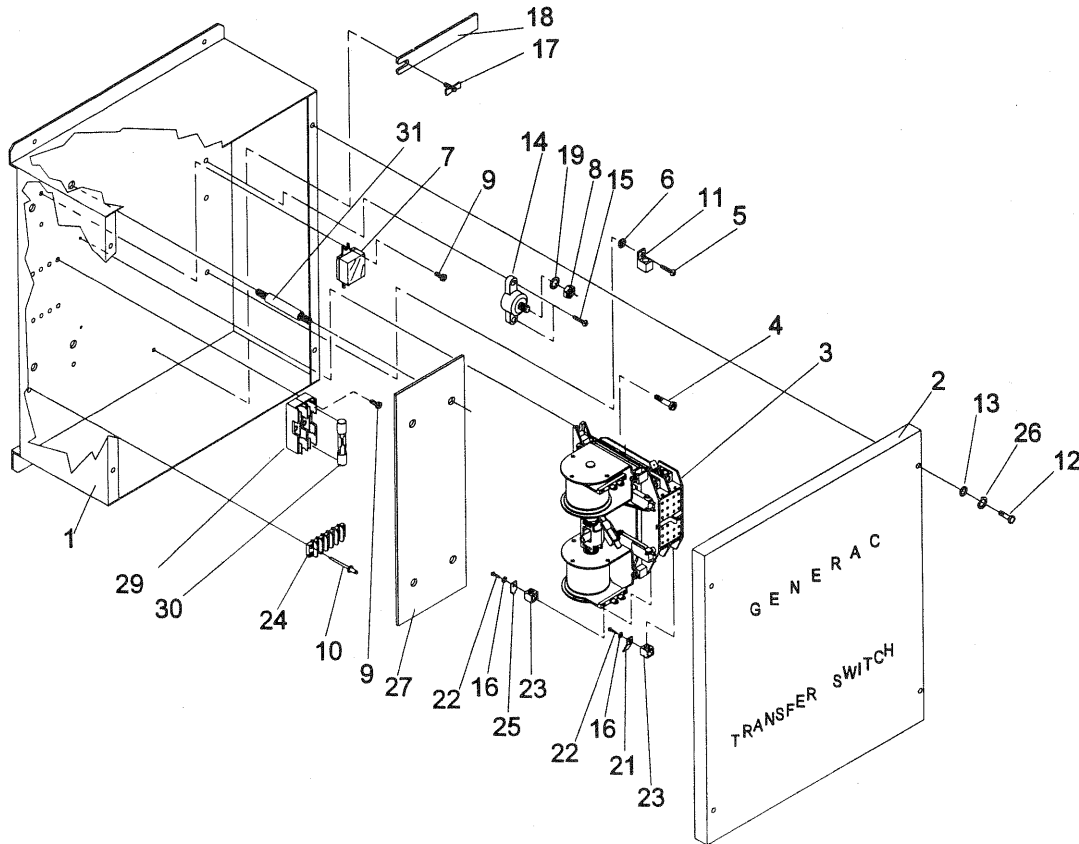
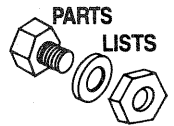
## Section 7 – Exploded Views and Parts Lists

Guardian Air-cooled 6 kW, 8 kW and 10 kW Generators  
 Alternator – Drawing No. C2374-



ITEM	PART NO.	QTY.	DESCRIPTION	ITEM	PART NO.	QTY.	DESCRIPTION
1	C2079	1	6/8KW LOWER BEARING CARRIER	9	C1878	2	6/8KW SLIDE SUPPORT
	A9226	1	10KW LOWER BEARING CARRIER	10	75242	4	10KW SLIDE SUPPORT
2	31971	1	BEARING				ALTERNATOR MOUNTING SPRING
3	A5649H	1	6KW ROTOR ASSEMBLY	11	75237	4	SPRING CENTERING WASHER
	73163H	1	8KW ROTOR ASSEMBLY	12	52858	10	FLANGED LOCKING NUT
	A9064	1	10KW ROTOR ASSEMBLY	13	75215	2	SPRING CENTERING WASHER
4	73159	1	BEARING	14	29459	2	BELT TENSIONING SPRING
5	C1854H	1	6KW STATOR ASSEMBLY	15	C2375	2	M8 x 90 HEX HD. SET SCREW (6/8KW)
	C1855H	1	8KW STATOR ASSEMBLY		51730	2	M8 x 60 HEX HD. SET SCREW (10KW)
	C1856	1	10KW STATOR ASSEMBLY	16	45771	4	M8 NUT
6	72379B	1	6/8KW UPPER BEARING CARRIER	17	27756	4	NYLON WASHER
	A9227	1	10KW UPPER BEARING CARRIER	18	66849	2	M5 x 15MM SCREW
7	77006	4	8/10 KW STATOR BOLT	19	66386	1	BRUSH HOLDER ASSEMBLY
	A6529	4	6 KW STATOR BOLT	20	C2094	1	6/8KW ALTERNATOR COVER
8	73146	4	6/8KW NYLON SLIDES		C1696	1	10KW ALTERNATOR COVER
	A9918	4	10KW NYLON SLIDES	21	22145	2	M8 FLAT WASHER

**Section 7 – Exploded Views and Parts Lists**  
**Guardian Air-cooled 6 kW, 8 kW and 10 kW Generators**  
**Transfer Switch – Drawing No. C2696-**

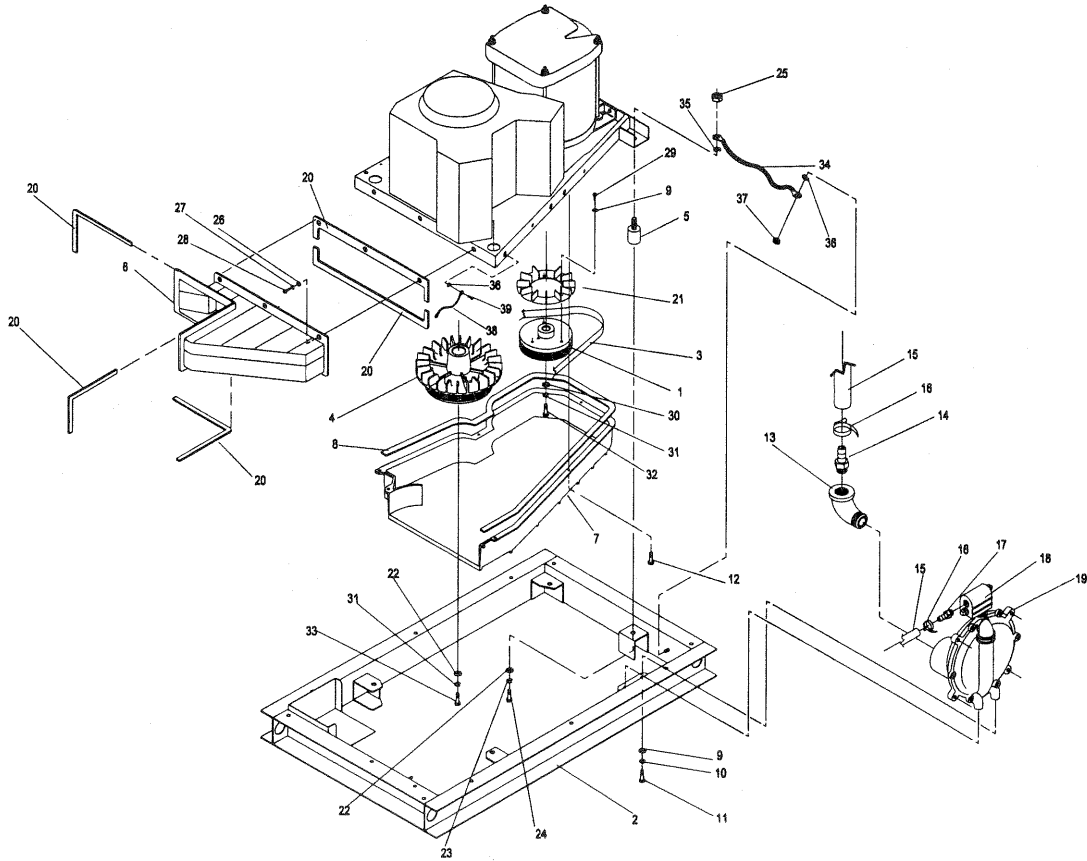


ITEM	PART NO.	QTY.	DESCRIPTION	ITEM	PART NO.	QTY.	DESCRIPTION
1	C2259	1	TRANSFER SWITCH ENCLOSURE	17	64113	1	WING NUT, M6-1.0
2	74975	1	ENCLOSURE COVER	18	77441	1	MANUAL TRANSFER HANDLE
3	C2237	1	TRANSFER SWITCH	19	22131	1	FLAT WASHER-3/8"
4	74908	4	M5-0.8 x 10 TAPTITE	21	74138	4	MALE DISCONNECT ADAPTOR
5	24912	1	1/4-20 x 5/8" TAPTITE	22	36932	6	SCREW, PAN HEAD NO. 10-32 x 1/4"
6	A1658	1	WASHER 1/4 SHAKEPROOF	23	77033	6	SOLDERLESS LUG
7	63617	1	RELAY-10AMP. 12 VOLTS DC	24	48850	1	TERMINAL BLOCK-5 POSITION
8	27628	1	HEX NUT-3/8"-16	25	77052	2	MALE DISCONNECT ADAPTOR
9	24940	4	8-32 x 1/2" TAPTITE	26	22473	4	FLAT WASHER-M6
10	A1661	2	POP RIVET, .156 D x .5	27	C2261	1	COVER
11	62684	1	LUG, GROUND	28	C2260	1	TRANSFER WIRE HARNESS (NOT SHOWN FOR CLARITY)
12	42568	4	M6- 1.0 x 20 HEX HEAD BOLT	29	73591	2	FUSE HOLDER
13	22097	4	LOCK WASHER M6	30	73590A	2	FUSE, 5A 600 VOLT
14	57073	1	NEUTRAL LUG-JUNCTION BLOCK	31	40213B	4	STAND-OFF
15	66849	2	M5-.8 x 16 TAPTITE				
16	22152	6	LOCK WASHER NO. 10				



## Section 7 – Exploded Views and Parts Lists

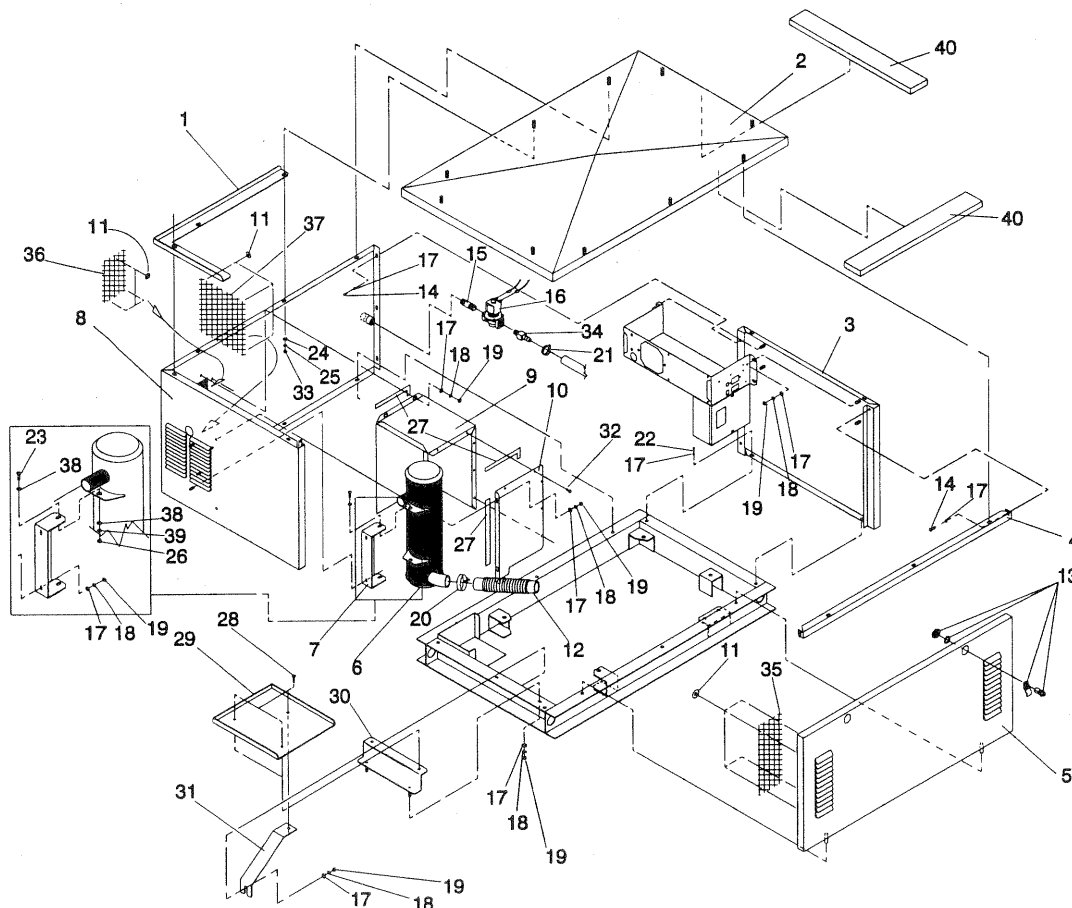
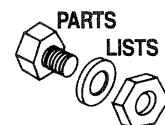
Guardian Air-cooled 6 kW, 8 kW and 10 kW Generators  
Mounting Base Assembly – Drawing No. C2372-



ITEM	PART NO.	QTY.	DESCRIPTION	ITEM	PART NO.	QTY.	DESCRIPTION
1	C1753	1	ALTERNATOR PULLEY	21	C1751	1	ALTERNATOR FAN MODEL-04077, 04109 (7")
2	A9628	1	ASSEMBLY, ENCLOSURE BASE		C1752	1	ALTERNATOR FAN MODEL-04079 (8")
3	C1112	1	V-BELT	22	22131	5	3/8" FLAT WASHER
4	75224D	1	ENGINE PULLEY	23	22237	4	3/8" LOCK WASHER
5	38353	4	RUBBER MOUNT	24	23152	4	3/8"-16 x 3/4" HEX HEAD BOLT
6	A9593	1	EXHAUST DUCT ASSEMBLY	25	22241	1	3/8-16 NUT
7	A9827	1	BLOWER HOUSING	26	22145	3	5/16 FLAT WASHER
8	C1441	1	GASKET SET, BLOWER HOUSING	27	22129	3	5/16 LOCK WASHER
9	22473	5	M6 FLAT WASHER	28	55173	3	M8-1.25 x 20 HEX HEAD
10	22097	2	M6 LOCK WASHER	29	79246	3	M6-1.0 x 16 HEX HEAD WITH LOCK WASHER
11	22287	2	1/4"-20 x 3/4" HEX HEAD	30	49451	1	7GA. x .41" x 1.62" FLAT WASHER
12	C2824	7	TAP-R 10-32 x 9/16"	31	22237	2	3/8" LOCK WASHER
13	26307	1	90DEG. STREET ELBOW-3/4"	32	42633	1	3/8"-24 x 1" HEX HEAD
14	C2206	1	BARBED HOSE FITTING	33	73118	1	3/8"-24 x 2-1/4" HEX HEAD
15	74994	2FT.	1/2" I.D. HOSE	34	C2417	1	GROUND STRAP
16	57822	2	HOSE CLAMP #8	35	A4456	1	3/8" LOCK WASHER-SPECIAL
17	63463	1	BARBED HOSE FITTING	36	A1658	2	1/4" LOCK WASHER-SPECIAL
18	C1616	1	8/10 KW LOAD BLOCK	37	49813	1	M6-1.0 NUT
	C1616B	1	6 KW LOAD BLOCK	38	AB38805	1	CABLE, BLACK-BATTERY
19	75211	1	GAS REGULATOR	39	A2311	1	1/4"-20 x 1" FASTENER
20	C2131	1	GASKET SET, AIR DUCT				



**Section 7 – Exploded Views and Parts Lists**  
**Guardian Air-cooled 6 kW, 8 kW and 10 kW Generators**  
**Enclosure – Drawing No. C2370-**



ITEM	PART NO.	QTY.	DESCRIPTION	ITEM	PART NO.	QTY.	DESCRIPTION
1	A9962	1	PLATE, INTAKE	22	79246	6	M6- 1.0 x 16 HEX HD. & LOCK WASHER
2	A9892	1	ENCLOSURE, ROOF	23	29745	2	3/8"-16 x 1" HEX HEAD
3	C1199	1	PANEL, ENCLOSURE-ALT SIDE	24	22145	5	M8 FLAT WASHER
4	A9677	1	RAIL, TOP SUPPORT	25	22129	5	M8 LOCK WASHER
5	A9633	1	ENCLOSURE, DOOR	26	22241	2	3/8"- 16 HEX NUT
6	A9651	1	MUFFLER	27	C2310	1	GASKET, SET-MUFFLER BOX
7	A9897	1	SUPPORT, BRACKET MUFFLER	28	A2393	3	M6 1.0 x 16 FLAT SOCKET HD. CAPSCR.
8	A9629	1	SIDE AND BACK ENCLOSURE	29	A9961	1	BATTERY TRAY
9	A9631	1	BOX, MUFFLER	30	A9963	1	BATTERY TRAY SUPPORT
10	A9632	1	COVER, EXHAUST BOX	31	A9964	1	ANGLED BATTERY TRAY SUPPORT
11	78115	15	SELF LOCKING DOME WASHER	32	56893	5	CRIMPTITE-10-24 x 1/2
12	A9816	1	FLEX-EXHAUST PIPE	33	22259	5	5/16"- 18 HEX NUT
13	C1023	2	DOOR LATCH	34	C2206	1	BARBED FITTING
14	A2110	5	1/4-20 x 1/2" SWAGE FASTENER	35	C2506A	2	MESH, DOOR PANEL
15	26915	1	3/4" NPT CLOSE NIPPLE	36	C2506B	1	MESH, EXHAUST BOX
16	A2666	1	FUEL SOLENOID	37	C2506C	1	MESH, EXHAUST OUTLET
17	22473	26	M6 FLAT WASHER	38	22131	4	3/8" FLAT WASHER
18	22097	15	M6 LOCK WASHER	39	22237	2	3/8" LOCK WASHER
19	49813	15	M6 -1.0 NUT	40	C2502	1	BARRIER FOAM
20	C2866	1	EXHAUST CLAMP-1.25"				
21	57822	1	CLAMP #8				