

# GENERAC<sup>®</sup>

POWER SYSTEMS, INC.

## Owner's Manual

### **GUARDIAN<sup>™</sup>**

by **GENERAC<sup>®</sup>** POWER SYSTEMS

**Air-cooled, Prepackaged**

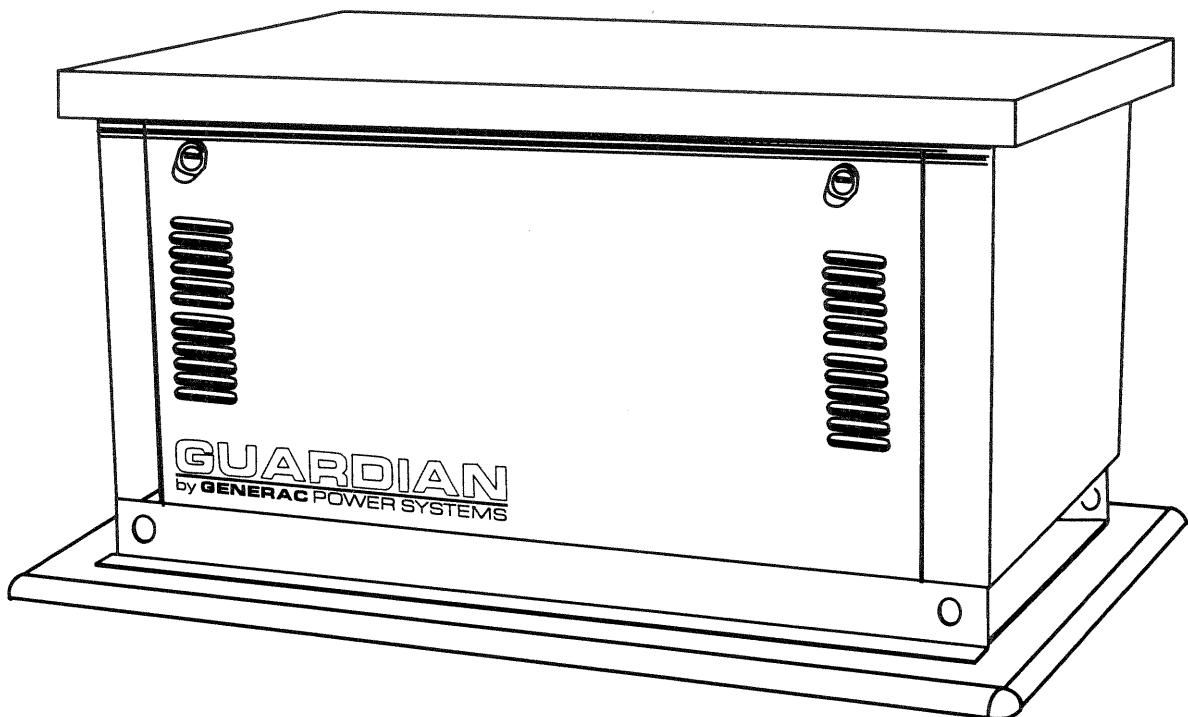
**Standby Generators**

Models:

04077-3 (6 kW)

04109-3 (8 kW)

04079-3 (10 kW)

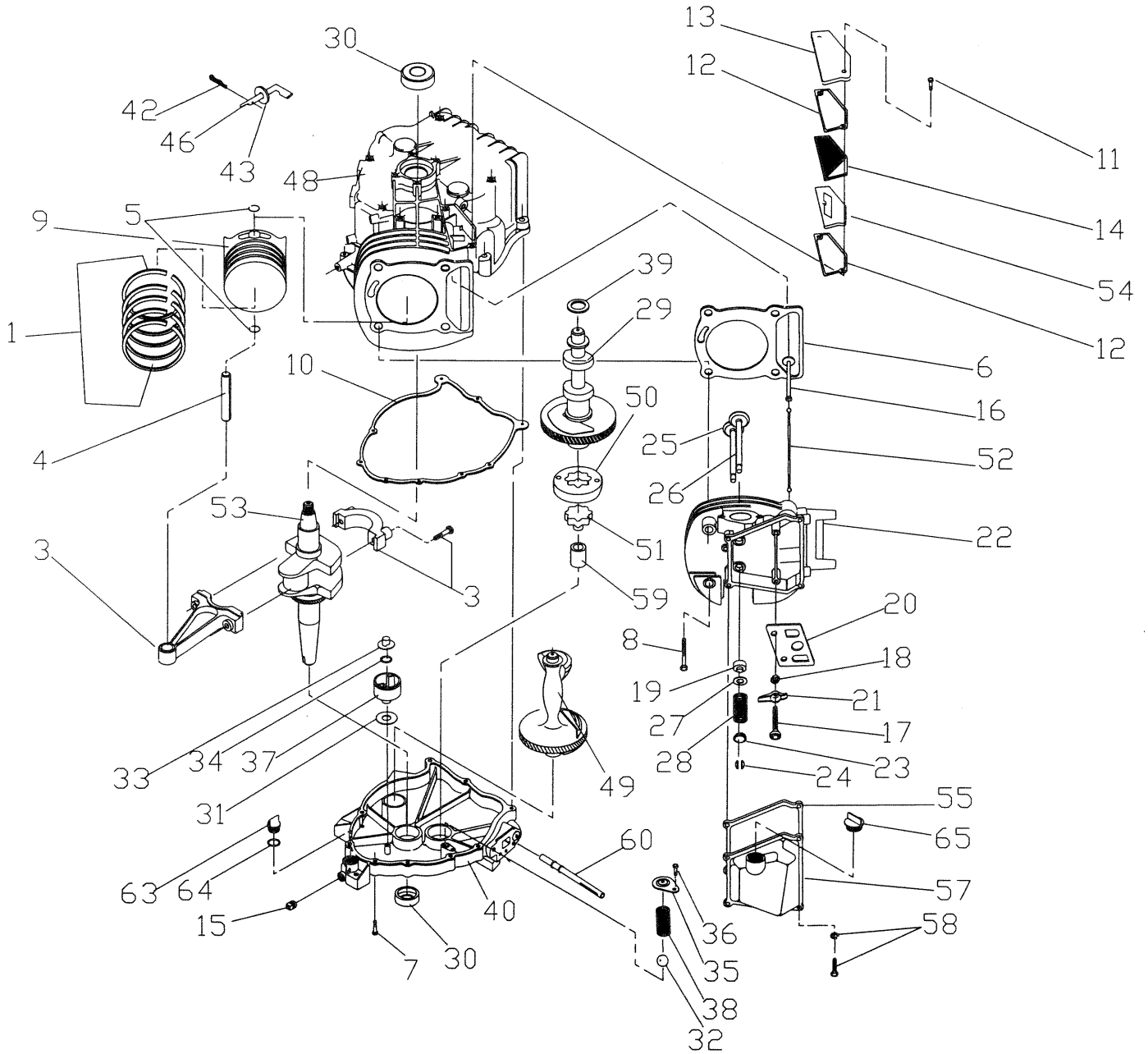


—▲ **DANGER** ▲—

**DEADLY EXHAUST FUMES.  
OUTDOOR INSTALLATION ONLY!!**

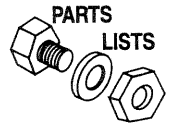
**Section 7 – Exploded Views and Parts Lists**

**Guardian Air-cooled 6 kW Generator  
GN-410 Engine – Drawing No. A7894-D**



**Section 7 – Exploded Views and Parts Lists**

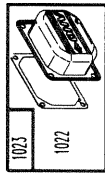
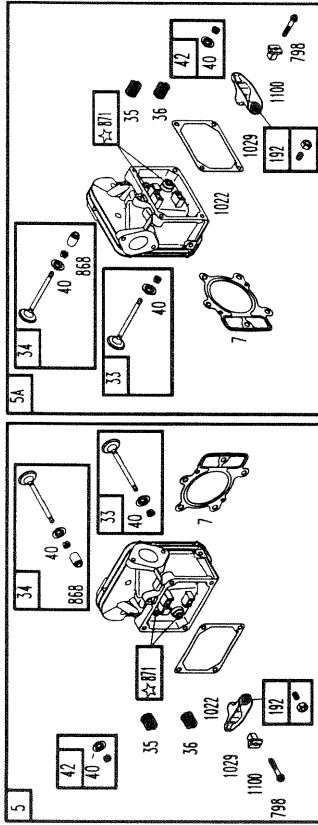
**Guardian Air-cooled 6 kW Generator  
GN-410 Engine – Drawing No. A7894-D**



ITEM	PART NO.	QTY.	DESCRIPTION	ITEM	PART NO.	QTY.	DESCRIPTION
1	21533	1	PISTON RING SET	31	76361	1	THRUST WASHER
3	71978	1	CONNECTING ROD WITH CAP AND BOLT	32	A5776	1	PRESSURE RELIEF BALL
4	71980	1	PISTON PIN	33	A7308	1	GOVERNOR SPOOL
5	71983	2	PISTON PIN RETAINER	34	78645	1	GOVERNOR RETAINER (C-RING)
6	21713B	1	CYLINDER HEAD GASKET	35	78691	1	COVER, OIL PRESSURE RELIEF
7	A1442	8	FLANGED HEX HD. CAP-SCREW M8-1.25 x 42	36	74908	1	M5-0.8 x 10MM TAPTITE
8	21742	4	M10 1.5 x 105MM HHFL	37	A8930	1	GOVERNOR GEAR ASSEMBLY
9	96699	1	PISTON	38	A5771	1	OIL PRESSURE SPRING
10	76701	1	CRANKCASE GASKET	39	B2104	1	SPRING WASHER
11	45756	2	M6-1.0 x 10 TAPTITE	40	89280D	1	OIL SUMP ASSEMBLY
12	80308	2	BREATHER GASKET	42	78658	1	GOVERNOR ARM "R" PIN
13	80309	1	BREATHER COVER	43	78659	2	THRUST WASHER
14	80338	1	OIL BREATHER SEPARATOR	46	A7628	1	GOVERNOR ARM RC45
15	26925	1	PIPE PLUG-3/8"	48	C3396C	1	CRANKCASE SUB ASSEMBLY
16	83897	2	TAPPET, SOLID	49	84430	1	BALANCER
17	72694	2	PIVOT BALL STUD	50	86002	1	OUTER GEROTOR
18	72696	2	JAM NUT (ROCKER ARM)	51	86026	1	INNER GEROTOR
19	78672	1	SEAL, VALVE STEM	52	88396B	2	PUSH ROD
20	78694	1	PUSH ROD GUIDE PLATE	53	90416A	1	CRANKSHAFT ASSEMBLY
21	83907	2	ROCKER ARM	54	90747	1	BREATHER VALVE ASSEMBLY
22	21714	1	CYLINDER HEAD W/VALVE SEATS AND GUIDES	55	C3150	1	ROCKER COVER GASKET
23	86514	2	VALVE SPRING RETAINER	57	92362	1	ROCKER COVER W/FILL
24	86515	4	VALVE SPRING KEEPER	58	79246	4	M6-1.0 x 16MM HEX HEAD. SCREW. AND LOCK WASHER
25	86516	1	EXHAUST VALVE	59	83921	1	BEARING TUBE SHAFT
26	86517	1	INTAKE VALVE	60	77158	1	OIL SCREEN PICKUP ASSEMBLY
27	89673	2	WASHER, VALVE SPRING	63	76329	1	OIL FILL PLUG
28	91308	2	VALVE SPRING	64	86254	1	"O" RING 17.8 I.D. x 2.4 THICK
29	A9877	1	CAMSHAFT ASSEMBLY	65	93064	1	OIL FILL CAP ASSEMBLY
30	72655	2	CRANKSHAFT 35 I.D. SEAL				

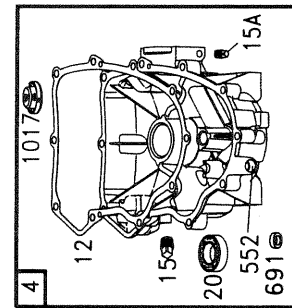
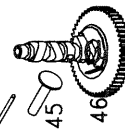
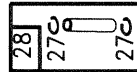
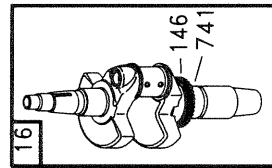
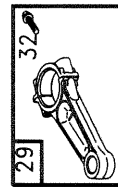
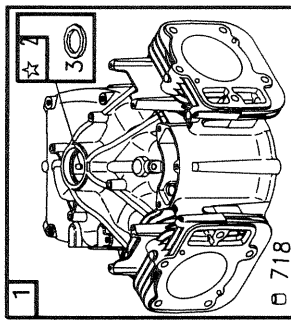
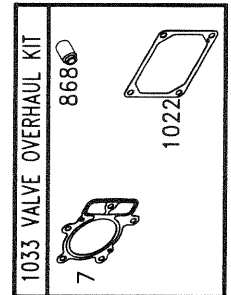
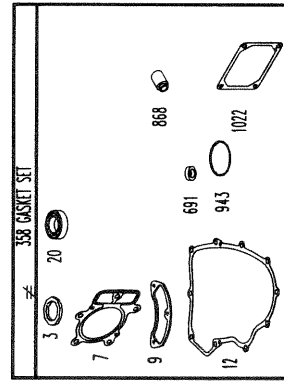
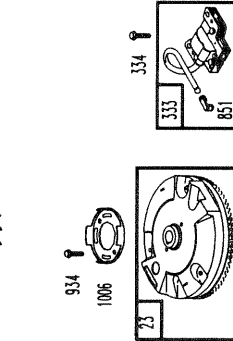
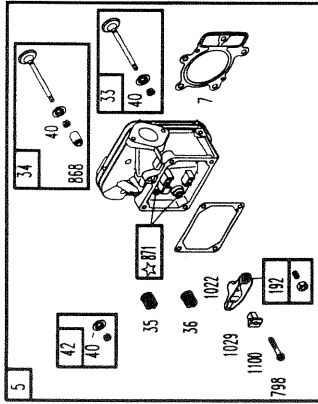
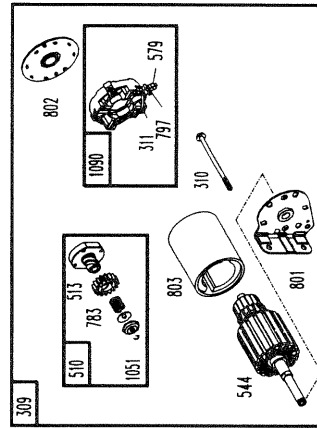
**Section 7 – Exploded Views and Parts Lists**

**Guardian 8 kW and 10 kW Generators  
GN-724 Engine – Drawing No. C2474-A**

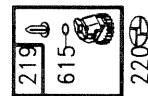
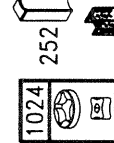
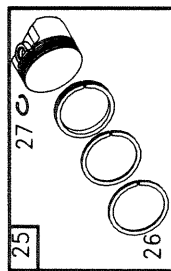


★ REQUIRES SPECIAL TOOLS  
TO INSTALL. SEE REPAIR  
INSTRUCTION MANUAL.

- 616
- 552
- 552A
- 742
- 494
- 552A
- 691



★ REQUIRES SPECIAL TOOLS  
TO INSTALL. SEE REPAIR  
INSTRUCTION MANUAL.



**Section 7 – Exploded Views and Parts Lists**

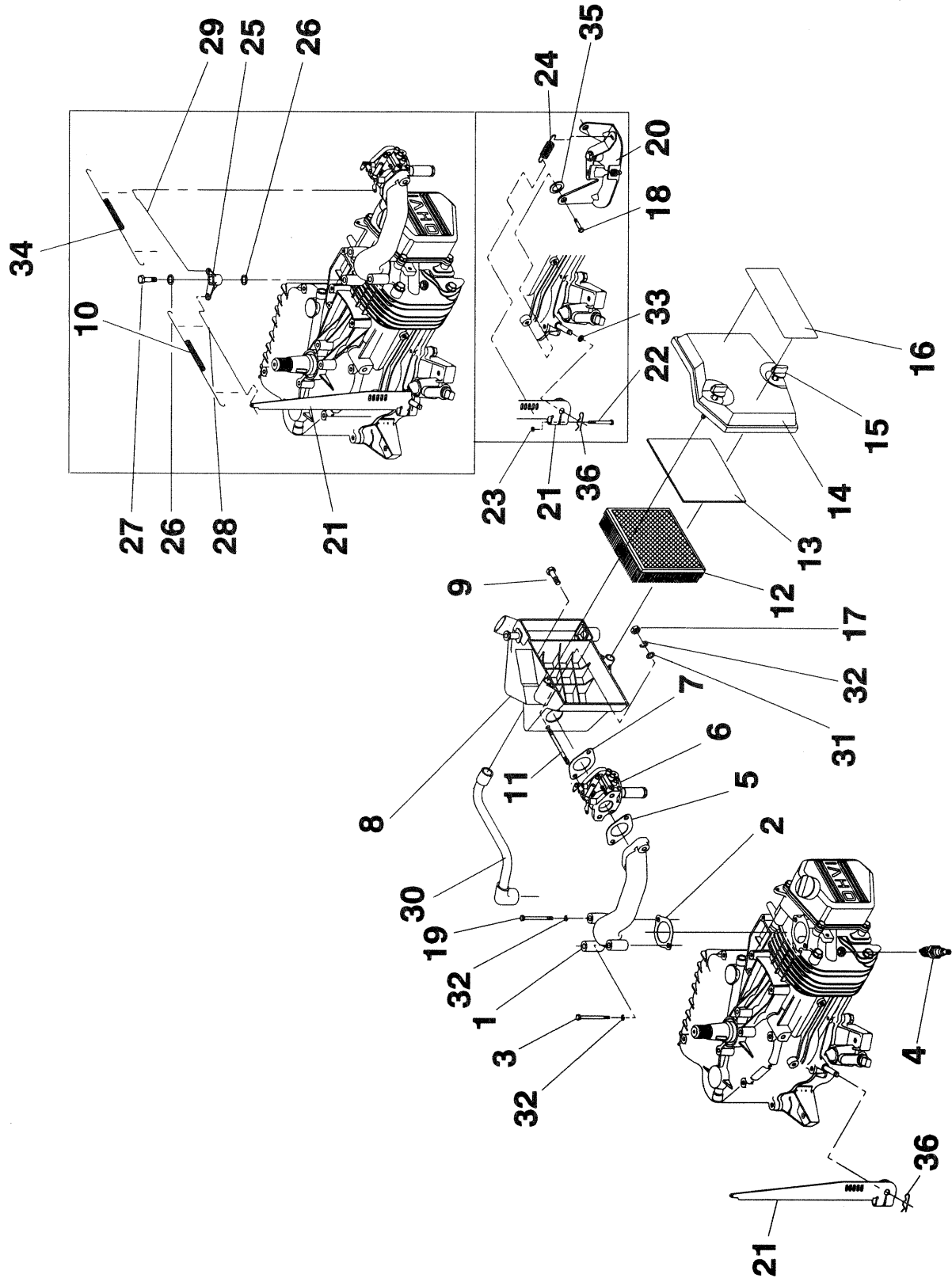
**Guardian 8 kW and 10 kW Generators  
GN-724 Engine – Drawing No. C2474-A**



ITEM	PART NO.	QTY.	DESCRIPTION	ITEM	PART NO.	QTY.	DESCRIPTION
*	C1198		GN-724 ENGINE (NOT PICTURED COMPLETE)	310	150-C1198	1	BOLT (STARTER MOTOR)
1	100-C1198	1	CYLINDER ASSEMBLY	311	151-C1198	1	BRUSH SET
2	101-C1198	1	BUSHING/SEAL KIT (MAGNETO SIDE)	333	153-C1198	1	MAGNETO ARMATURE
3	102-C1198	1	OIL SEAL	334	154-C1198	1	SCREW (MAGNETO ARMATURE)
4	103-C1198	1	ENGINE SUMP	337	72347	1	SPARK PLUG
5	104-C1198	1	CYLINDER HEAD (CYLINDER #1)	358	155-C1198	1	ENGINE GASKET SET
5A	105-C1198	1	CYLINDER HEAD (CYLINDER #2)	404	156-C1198	1	WASHER (GOVERNOR CRANK)
7	106-C1198	1	CYLINDER HEAD GASKET	510	157-C1198	1	DRIVE-STARTER
8	107-C1198	1	BREATHER ASSEMBLY	513	75261	1	CLUTCH-DRIVE
9	108-C1198	1	BREATHER GASKET	544	-----	1	STARTER ARMATURE (SERVICED BY 149-C1198 STARTER MOTOR ONLY)
10	109-C1198	1	SCREW (BREATHER ASSEMBLY)	552	158-C1198	1	BUSHING-GOVERNOR CRANK
12	110-C1198	1	CRANKCASE GASKET	552A	159-C1198	1	BUSHING-GOVERNOR CRANK
15	112-C1198	1	OIL DRAIN PLUG	579	160-C1198	1	NUT (STARTER CABLE)
15A	113-C1198	1	OIL DRAIN PLUG	615	161-C1198	1	RETAINER-GOVERNOR SHAFT
16	114-C1198	1	CRANKSHAFT	616	162-C1198	1	CRANK-GOVERNOR
20	115-C1198	1	OIL SEAL	691	165-C1198	1	GOVERNOR SHAFT SEAL
22	116-C1198	1	SCREW (ENGINE SUMP)	697	166-C1198	1	SCREW (DRIVE CAP)
23	117-C1198	1	FLYWHEEL	718	167-C1198	1	PIN-LOCATING
25	119-C1198	1	PISTON ASSEMBLY (STANDARD)	741	168-C1198	1	GEAR-TIMING
	120-C1198	1	PISTON ASSEMBLY (.010 OVERSIZE)	742	169-C1198	1	E-RING RETAINER
	121-C1198	1	PISTON ASSEMBLY (.020 OVERSIZE)	750	170-C1198	1	SCREW (OIL PUMP COVER)
	122-C1198	1	PISTON ASSEMBLY (.030 OVERSIZE)	783	171-C1198	1	GEAR-PINION
26	123-C1198	1	RING SET (STANDARD)	797	173-C1198	1	NUT (BRUSH RETAINER)
	124-C1198	1	RING SET (.010 OVERSIZE)	798	174-C1198	1	SCREW (ROCKER ARM)
	125-C1198	1	RING SET (.020 OVERSIZE)	801	175-C1198	1	CAP-DRIVE
	126-C1198	1	RING SET (.030 OVERSIZE)	802	176-C1198	1	CAP-END
27	127-C1198	1	PISTON PIN LOCK	803	-----	1	HOUSING-STARTER (SERVICED BY 149-C1198 STARTER MOTOR ONLY)
28	128-C1198	1	PISTON PIN (STANDARD)	851	75272	1	SPARK PLUG TERMINAL
29	129-C1198	1	CONNECTING ROD (STANDARD)	868	193-C1198	1	VALVE KEEPER
32	130-C1198	1	SCREW (CONNECTING ROD)	914	109-C1198	1	SCREW (ROCKER COVER)
33	131-C1198	1	EXHAUST VALVE	934	177-C1198	1	SCREW (FAN RETAINER)
34	132-C1198	1	INTAKE VALVE	943	178-C1198	1	O-RING SEAL (OIL PUMP COVER)
35	133-C1198	1	VALVE SPRING (INTAKE)	965	179-C1198	1	OIL PUMP COVER
36	133-C1198	1	VALVE SPRING (EXHAUST)	1005	180-C1198	1	FAN-FLYWHEEL
40	134-C1198	1	VALVE RETAINER	1006	181-C1198	1	RETAINER-FAN
42	193-C1198	1	VALVE KEEPER ASSEMBLY	1017	182-C1198	1	OIL PUMP SCREEN
45	124-85110	1	VALVE TAPPET	1022	183-C1198	1	GASKET-ROCKER COVER
46	136-C1198	1	CAMSHAFT	1023	184-C1198	1	COVER-ROCKER
146	138-C1198	1	TIMING KEY	1024	185-C1198	1	PUMP-OIL
192	139-C1198	1	ROCKER ARM ADJUSTOR	1026	186-C1198	1	ROD-PUSH (STEEL)
219	144-C1198	1	GOVERNOR GEAR	1026A	187-C1198	1	ROD-PUSH (ALUMINUM)
220	145-C1198	1	WASHER (GOVERNOR GEAR)	1029	188-C1198	1	ROCKER ARM
250	146-C1198	1	BREATHER RETAINER	1033	189-C1198	1	VALVE OVERHAUL KIT
252	147-C1198	1	OIL COLLECTOR	1035	190-C1198	1	SHAFT-PUMP
309	149-C1198	1	MOTOR STARTER	1051	191-C1198	1	RING-RETAINING
				1090	192-C1198	1	RETAINER-BRUSH
				1100	230-85110	1	ROCKER ARM PIVOT

**Section 7 – Exploded Views and Parts Lists**

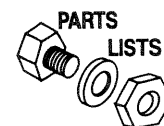
**Guardian Air-cooled 6 kW Generator  
GN-410 Engine Accessories – Drawing No. C2910-B**



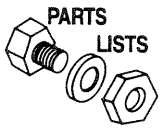
## Section 7 – Exploded Views and Parts Lists

Guardian Air-cooled 6 kW Generator

GN-410 Engine Accessories – Drawing No. C2910-B

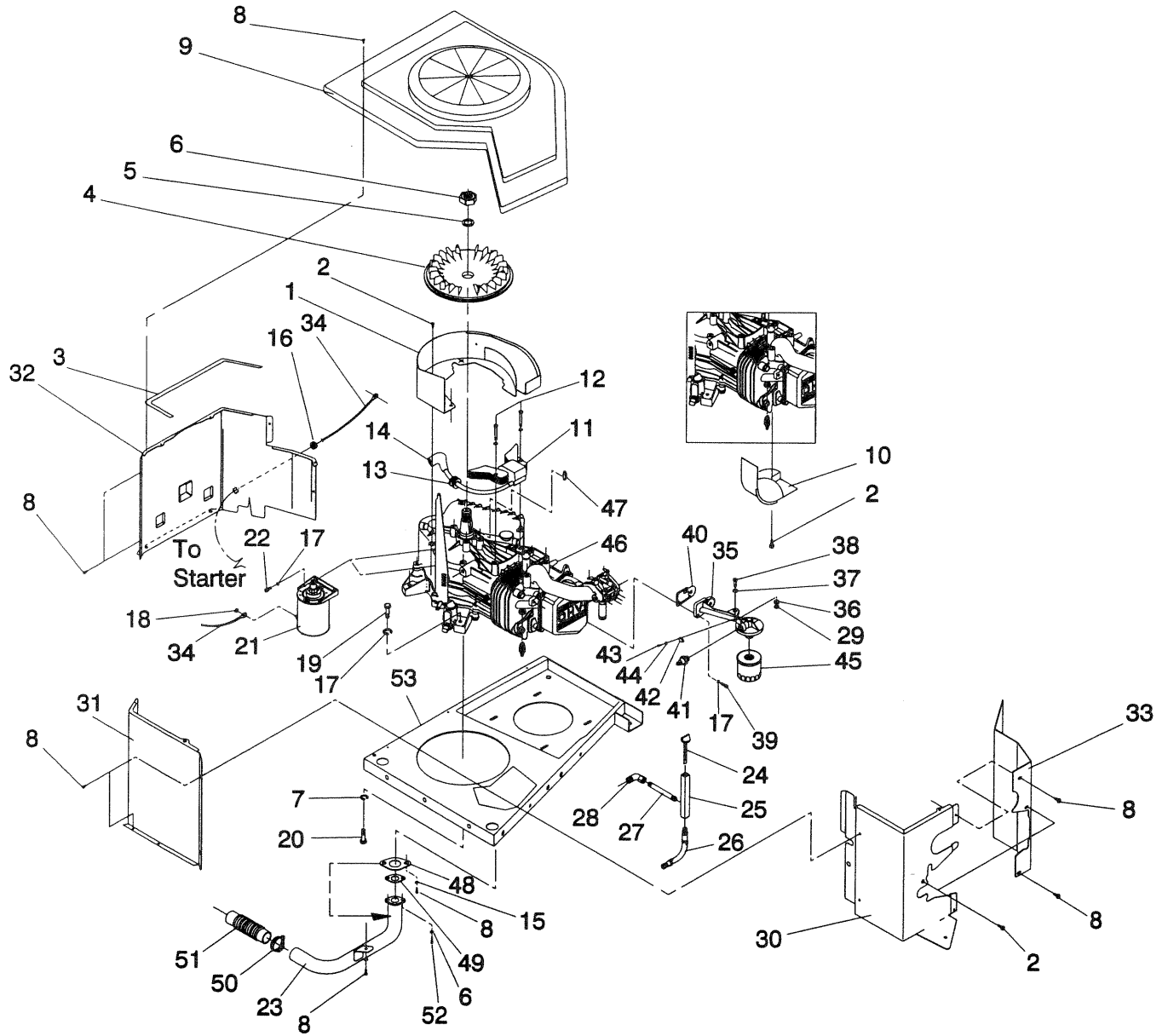


ITEM	PART NO.	QTY.	DESCRIPTION	ITEM	PART NO.	QTY.	DESCRIPTION
1	A6532	1	MANIFOLD, INTAKE	21	91916	1	LEVER, GOVERNOR ARM
2	91039	1	GASKET, INTAKE ADAPTOR	22	83532	1	BOLT, HEX HD. WASHER/LOCK WASHER-M6-1.0 x 30 LG
3	51753	1	HHCS-M6-1.0 x 40 LG	23	86681	1	NUT, GOVERNOR LEVER
4	72347	1	SPARK PLUG	24	74962C	1	SPRING, GOVERNOR
5	89228	1	GASKET, CARB./MANIFOLD	25	91633	1	BELLCRANK, GOV. RODS
6	A7336B	1	CARBURETOR	26	92586	2	WASHER, FELT-BELLCRANK
7	90970	1	GASKET, AIR CLEANER	27	91161	1	BOLT, SHOULDER M6-1.0 x 15 LG
8	A6564	1	BASE, AIR CLEANER	28	A6913	1	ROD, LINKAGE GOV. LEVER- BELLCRANK
9	56893	2	CRIMPTITE-#10-24 x 1/2" LG	29	A6785	1	ROD, LINKAGE BELLCRANK- CARB.
10	A6778	1	SPRING, ANTI LASH	30	A6581	1	BREATHER TUBE, HOSE
11	96290	2	STUD, CARB. MOUNT M6-1.0 x 90 LG	31	22473	2	M6-FLAT WASHER
12	73111	1	FILTER, AIR	32	22097	4	M6-LOCK WASHER
13	81646	1	PRE-CLEANER, AIR FILTER	33	A7029	1	NYLON WASHER .31" x .26" x .13"
14	A6563	1	COVER, CLEANER	34	A6780	1	SPRING, ANTI LASH BELL- CRANK TO CARB.
15	C3633	2	SCREW ASSEMBLY, AIR CLEANER	35	22145	1	M8-FLAT WASHER
16	C1228	1	DECAL, AIR CLEANER	36	78658	1	R-PIN
17	49813	2	M6-1.0-NUT				
18	83512	2	TAPTITE-M8-1.25 x 16 LG				
19	20753	1	HHCS-M6-1.0 x 60 LG				
20	92164	1	GOV. SPRING -ADJUSTMENT BRACKET				



## Section 7 – Exploded Views and Parts Lists

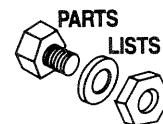
Guardian Air-cooled 6 kW Generator  
GN-410 Sheet Metal – Drawing No. C2480-B



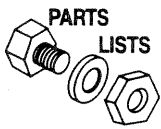


## Section 7 – Exploded Views and Parts Lists

**Guardian Air-cooled 6 kW Generator  
GN-410 Sheet Metal – Drawing No. C2480-B**



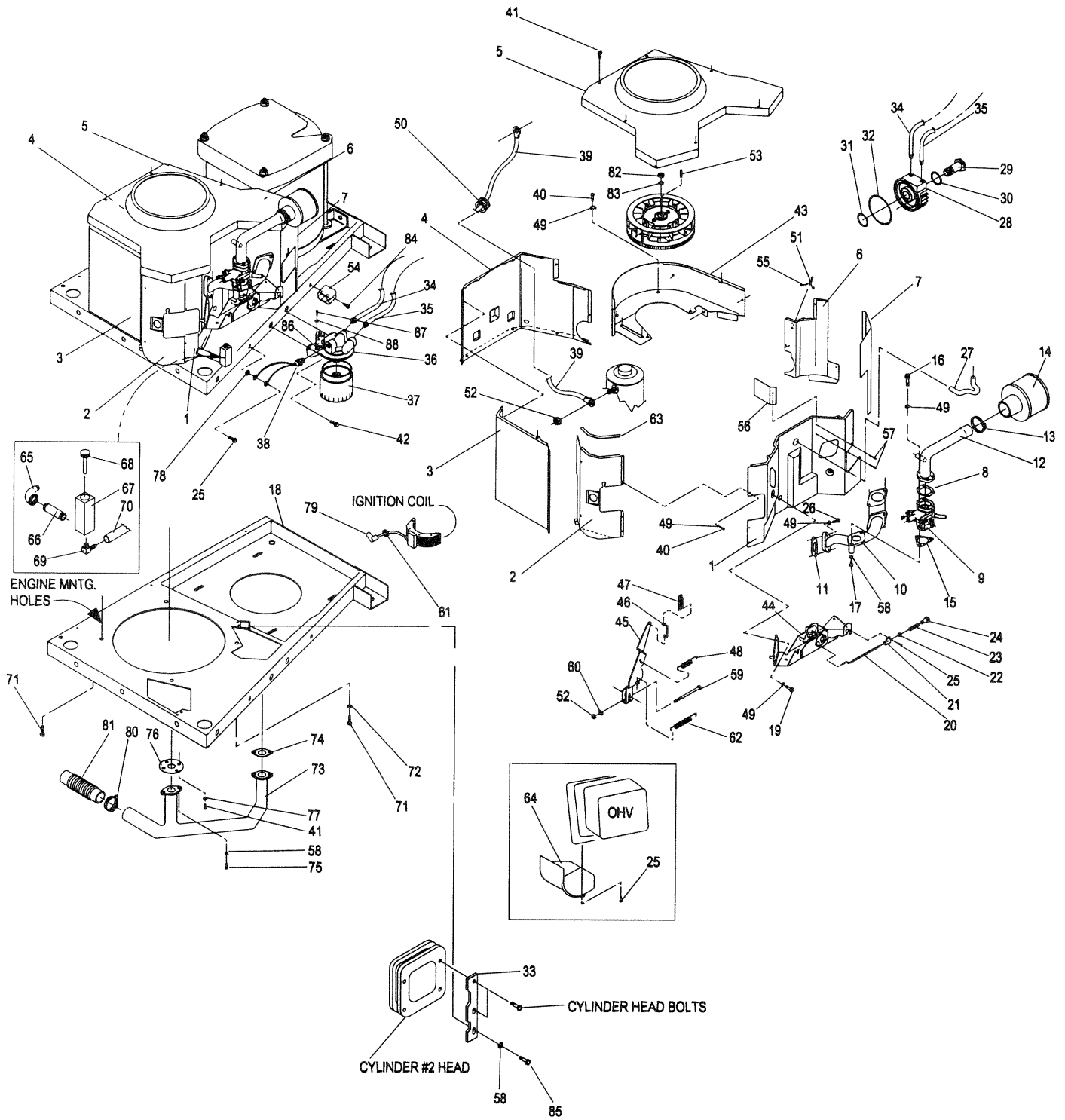
ITEM	PART NO.	QTY.	DESCRIPTION	ITEM	PART NO.	QTY.	DESCRIPTION
1	A4323	1	SCROLL, FLYWHEEL	28	38593	1	BRASS STREET ELBOW, 3/8"
2	45756	9	SCREW, TAPTITE M6-1.0 x 10 LG	29	22473	1	FLAT WASHER, 1/4"-M6
3	29289	2.5 FT.	FOAM TAPE (SOLD BY FOOT)	30	A6357A	1	WRAPPER, ENGINE SPARK PLUG
4	SRV-91222-F	1	FLYWHEEL, MAGNETIZED	31	90954B	1	WRAPPER, STARTER SIDE
5	67198-N	1	WASHER, BELLVILLE M20	32	A6489A	1	WRAPPER, CRANKCASE
6	67890	1	NUT, M20 x 1.5	33	A6359A	1	WRAPPER, CARB. SIDE
7	A4456	1	3/8" SPECIAL LOCK WASHER	34	11-74260	1	ASSEMBLY, WIRE-STARTER (#16)
8	56893	27	SCREW, CRIMPTITE #10-24 x .5" LG	35	90892	1	SUPPORT, OIL FILTER
9	A6358	1	COVER, TOP FLYWHEEL	36	91159	1	BUSHING, RUBBER
10	91646	1	DEFLECTOR, EXHAUST PORT	37	91160	1	WASHER, RUBBER
11	92572	1	ASSEMBLY, IGNITION COIL	38	91161	1	BOLT, SHOULDER-M6-1.0 x 15 LG.
12	92079	2	SCREW, TAPTITE M6-1.0 x 25 LG	39	49821	2	BOLT, SOCKET HD. CAP-SCR.-M8-1.25 x 30 LG
13	22717A	1	GROMMET, RUBBER	40	86999	1	GASKET, OIL FILTER SUP-PORT ADAPTER
14	73132	1	BOOT, SPARK PLUG	41	60108	1	SWITCH, OIL PRESSURE-10 PSI
15	23897	3	#10 FLAT WASHER	42	75281	1	SWITCH, OIL TEMPERATURE
16	89685	1	GROMMET, RUBBER	43	70728	2	SCREW, PHILIPS PAN HD. MACH.-M3-.5 x 5 LG
17	22129	8	LOCK WASHER-M8	44	43182	2	LOCK WASHER-M3
18	22127	1	HEX NUT-1/4"-20	45	70185	1	FILTER, OIL
19	57821	2	CAPSCR., HEX HD.-M8-1.25 x 40 LG	46	C3304	1	ENGINE, LONG BLOCK-GN410VSRV
20	59637	4	SCREW, TAPTITE 3/8"-16 x .75" LG	47	82774	1	KEY, WOODRUFF 4 x 19 DIA.
21	21544	1	MOTOR, STARTER-12VOLT	48	C1951	1	GASKET
22	40976	2	SOCKET HD. CAPSCR., M8-1.25 x 20 LG	49	90239	1	GASKET
23	A9841	1	EXHAUST MANIFOLD	50	C2866	1	CLAMP-1.25"
24	A8875	1	ASSEMBLY, DIPSTICK & CAP	51	A9816	1	EXHAUST FLEX
25	A7299	1	OIL DRAIN/DIPSTICK TUBE	52	40976	2	M8- 1.25 x 20 SOCKET HEAD
26	A9539	1	OIL DRAIN HOSE ASSEMBLY	53	A9736B	1	FRAME
27	31580	1	PIPE NIPPLE, 3/8" x 8.5" LG.				



## Section 7 – Exploded Views and Parts Lists

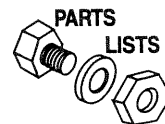
Guardian 8 kW and 10 kW Generators

GN-724 Engine Accessories and Sheet Metal – Drawing No. C4140-B

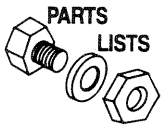


## Section 7 – Exploded Views and Parts Lists

**Guardian 8 kW and 10 kW Generators  
GN-724 Engine Accessories and Sheet Metal – Drawing No. C4140-B**

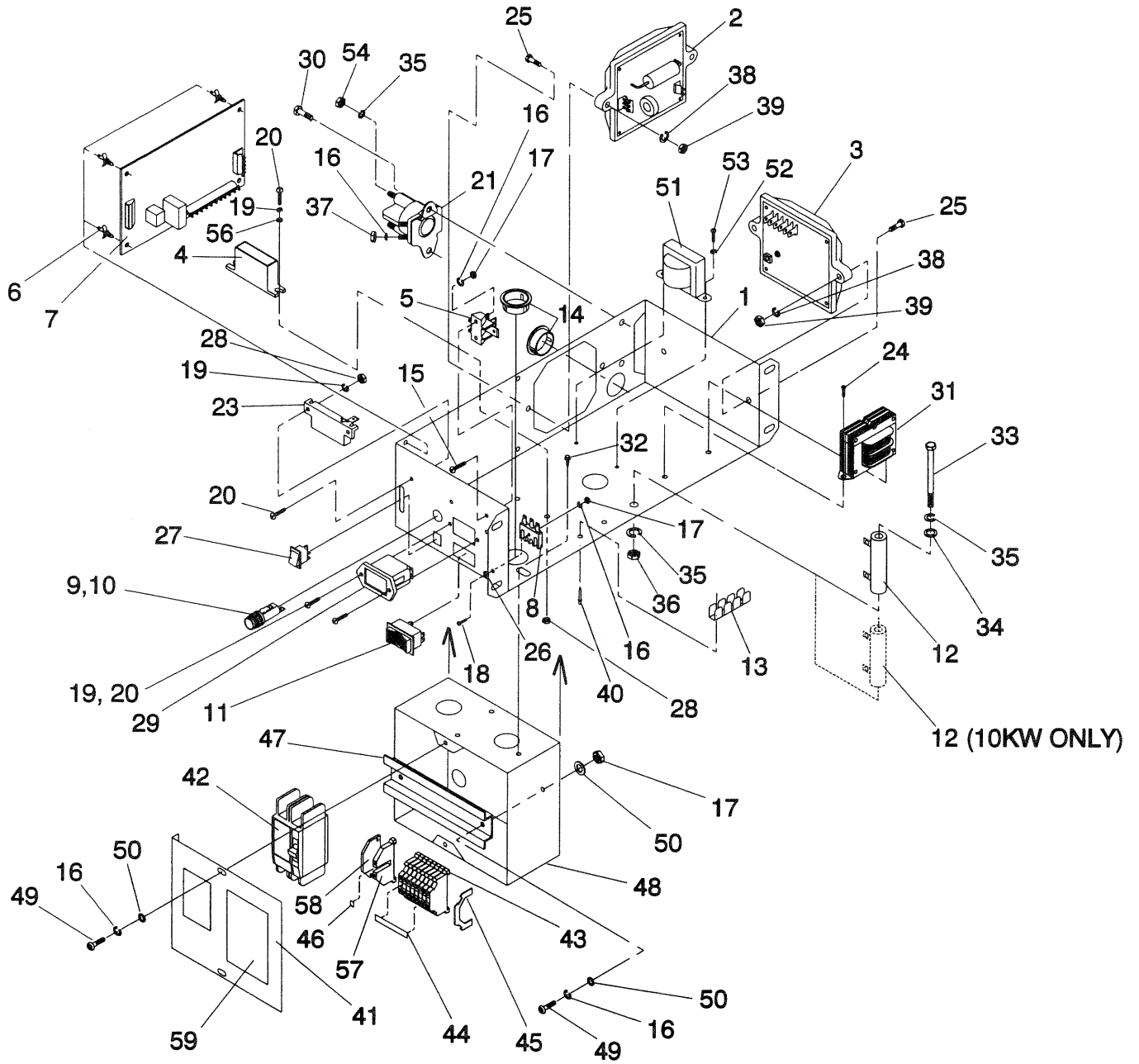


ITEM	PART NO.	QTY.	DESCRIPTION	ITEM	PART NO.	QTY.	DESCRIPTION
1	C1350A	1	WRAPPER, VALLEY	47	C1680	1	SPRING, ANTILASH
2	C1351A	1	WRAPPER, CYLINDER #1	48	C1859	1	SPRING, GOVERNOR
3	C1354A	1	STARTER, WRAPPER				3600RPM 10KW
4	C1353A	1	WRAPPER, CRANKCASE		C4203	1	SPRING, GOVERNOR
5	C1355A	1	COVER, ENGINE (8 KW)				2900RPM 8KW
	C1355	1	COVER, ENGINE (10 KW)	49	22097	18	¼"- M6 LOCK WASHER
6	C1352A	1	WRAPPER, CYLINDER #2- BACK	50	22717B	1	1/16"- 9/16"GROMMET
				51	22717A	1	1/16"- 3/8" GROMMET
7	C1468A	1	WRAPPER CYLINDER #2, FRONT	52	22127	2	¼-20 HEX NUT
				53	C2420	1	KEY, FLYWHEEL
8	C3218	1	GASKET, AIR CLEANER/ CARB	54	65852	1	CLIP, SPRING
9	C1460	1	CARBURETOR	55	C2441	1	WIRE DIODE ASSEMBLY
10	C1285	1	MANIFOLD INTAKE	56	C1863	1	BAFFLE
11	C1625	2	GASKET, INTAKE	57	36261	2	POP RIVET, 1/8" x .23 S.S.
12	C2784	1	TUBE, INTAKE	58	22129	7	5/16"- M8 LOCK WASHER
13	35685	1	CLAMP, #28	59	27883	1	CARRIAGE BOLT ¼-20 x 1-1/4"
14	70941	1	FILTER, AIR	60	49811	1	M6 FLAT WASHER
15	C1626	1	GASKET, CARBURETOR	61	91159	2	RUBBER BUSHING
16	64182	4	M6-1.0 x 16 SOCKET HEAD SCREW	62	74962A	1	SPRING, GOVERNOR
				63	C2145	1	GASKET, SET ENGINE COVER
17	39287	2	M8-1.25 x 45 HEX HEAD BOLT	64	74902	2	BARREL WRAPPER
18	A9736	1	FRAME, 8KW & 10KW	65	38593	1	90 DEG.ST. ELBOW 3/8" NPT
19	22287	2	¼-20 x 3/4" HEX HEAD BOLT	66	C1983	1	3/8" x 11-1/4" PIPE
20	C2421	1	ROD, SPEED CONTROL	67	A7299	1	DIPSTICK TUBE
21	C2425	1	BRACKET, SPEED CONTROL	68	A8875	1	DIPSTICK & CAP
22	C2424	1	CAP, SPRING	69	43790A	1	90 DEG. HOSE FITTING 3/8" x 3/8" NPT
23	C2422	1	SPRING, SPEED CONTROL				
24	C2423	1	NUT, SPEED CONTROL	70	C2078	1	OIL DRAIN HOSE
25	74908	4	M5-0.8 x 10 TAPTITE	71	75246	4	3/8-16 x 1-1/4" TAPTITE
26	22413	4	¼-20 x 1" HEX HEAD BOLT	72	A4456	1	3/8" SPECIAL LOCK WASHER
27	C1702	1	BREATHER HOSE	73	A9820	1	EXHAUST MANIFOLD
28	A5358	1	OIL ADAPTOR	74	C1624	2	EXHAUST GASKET
29	A9028	1	OIL ADAPTOR BOLT	75	75789	4	5/16-18 x ¾" SOCKET HEAD SCREW
30	C1557	1	O-RING, 13/16" I.D. 1/16" W				
31	C1547	1	O-RING, 7/8"	76	C1950	2	GASKET, EXHAUST
32	C1546	1	O-RING, 2-3/8"	77	23897	6	#10- M5 FLAT WASHER
33	C3961	1	ENGINE SUPPORT BRACKET	78	A8475	1	#10 SPECIAL WASHER
34	C3562	1	OIL TUBE, RETURN	79	73132	2	BOOT, SPARK PLUG
35	C3561	1	OIL TUBE, OUT	80	C2866	1	CLAMP
36	A5360	1	OIL FILTER SUPPORT	81	A9816	1	EXHAUST FLEX
37	70185	1	OIL FILTER	82	C2418	1	NUT, FLYWHEEL
38	60108	1	OIL PRESSURE SWITCH	83	C2419	1	WASHER, FLYWHEEL
39	11-74260	1	STARTER CABLE	84	C2824	1	TAP-R 10-32 x 9/16"
40	22507	6	¼-20 x ½" HEX HEAD BOLT	85	55173	1	M8-1.25 x 20 HEX HEAD SCREW
41	56893	29	10-24 x ½" CRIMPTITE				
42	A2311	2	¼-20 x 1" SWAGE FASTENER	86	75281	1	HIGH TEMP. SWITCH
43	C1349	1	SCROLL, FLYWHEEL	87	C1085	2	M3-0.5 x 8mm, PAN HEAD SCREW
44	C1677	1	GOVERNOR BRACKET, ASSEMBLY	88	43182	2	M3 LOCK WASHER
45	C1676	1	GOVERNOR LEVER				
46	C1679	1	GOVERNOR ROD, CARB				

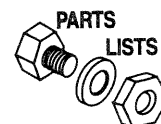


### Section 7 – Exploded Views and Parts Lists

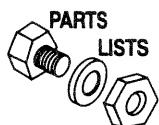
Guardian Air-cooled 6 kW, 8 kW and 10 kW Generators  
Control Panel Assembly – Drawing No. C2373-B



**Section 7 – Exploded Views and Parts Lists**  
**Guardian Air-cooled 6 kW, 8 kW and 10 kW Generators**  
**Control Panel Assembly – Drawing No. C2373-B**

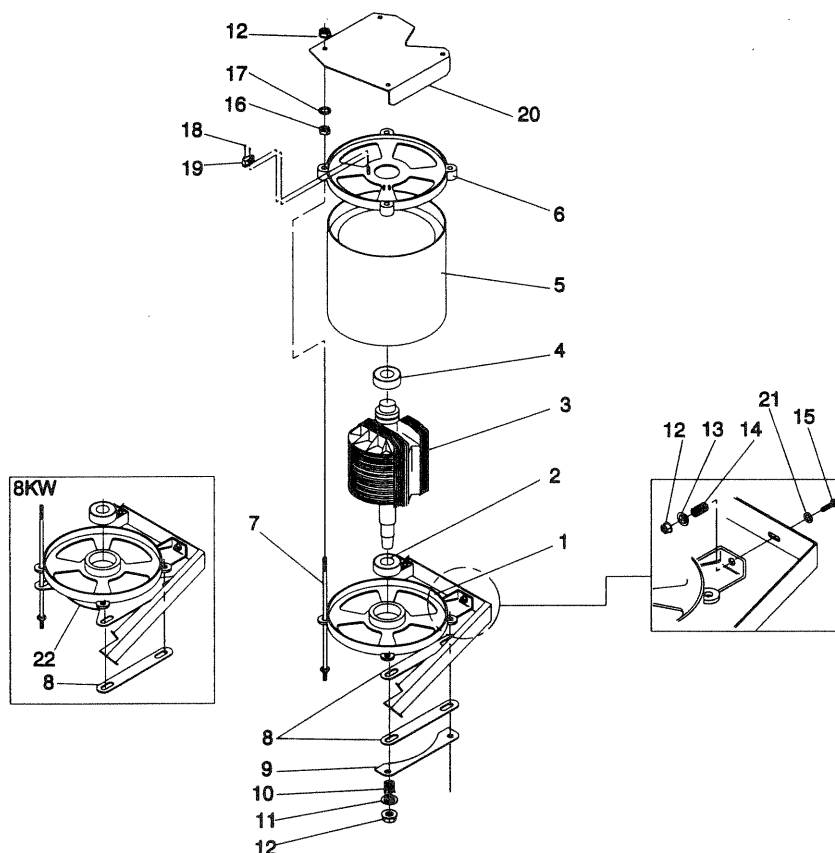


ITEM	PART NO.	QTY.	DESCRIPTION	ITEM	PART NO.	QTY.	DESCRIPTION
1	A9909	1	CONTROL PANEL	29	C1457	1	HOURMETER
2	A1801	1	ASSEMBLY, ENGINE BATTERY CHARGER	30	A2110	2	SWAGEFORM, 1/4"-20
3	83048	1	ASSEMBLY, VOLTAGE REGULATOR	31	99076	1	TRANSFORMER, 16V 56VA
4	C2174	1	RELAY, 12V. 25A SPST	32	74908	3	M5-0.8 x 10 TAPTITE
5	75210A	1	TERMINAL BLOCK	33	A2053	1	M6-1.0 x 65 HEX HEAD (6KW & 8KW)
6	40213	4	PCB SUPPORT, SNAP-IN		C7125	1	M6-1.0 x 120 HEX HEAD (10KW)
7	C1537	1	ASSEMBLY, PCB CONTROLLER	34	22473	1	M6 FLAT WASHER
8	65795	1	RECTIFIER, BATTERY CHARGER	35	22097	3	M6 LOCK WASHER
9	32300	1	HOLDER, FUSE	36	49813	1	M6-1.0 HEX NUT
10	22676	1	FUSE, 15 AMP.	37	22471	2	#8-32 HEX NUT
11	33873	1	SWITCH, DPDT-ROCKER	38	49226	4	M5 LOCK WASHER
12	75234	1	RESISTOR, 1 OHM 25W (6KW)	39	51716	4	M5-0.8 HEX NUT
	75234	2	RESISTOR, 1 OHM 25W (10KW)	40	36261	2	POP RIVET 1/8 x .23
	C7123	1	RESISTOR, 0.5 OHM 25W (8KW)	41	A9896	1	BOX COVER
13	A2769	1	LUG, GROUND 8-TABS	42	A9947B	1	45A CIRCUIT BREAKER (10KW)
14	23484F	3	SNAP BUSHING		A9947A	1	35A CIRCUIT BREAKER (8KW)
15	75476	2	M4-0.7 x 16 PHILLIPS PAN HEAD		A9947	1	25A CIRCUIT BREAKER (6KW)
16	22264	7	M4 LOCK WASHER	43	A9992A	8	TERMINAL BLOCK
17	51715	5	M4-0.7 HEX NUT	44	A9992D	1	NUMBER STRIP
18	80077	1	M4-0.7 x 20 PHILLIPS PAN HEAD	45	A9992B	2	END BRACKETS
19	43182	6	M3 LOCK WASHER	46	A9992F	1	WIRE IDENTIFICATION TAB
20	43181	6	M3-0.5 x 10 PAN HEAD	47	A9872	1	DIN RAIL
21	86729	1	STARTER CONTACTOR	48	A9895	1	CONNECTION BOX
22	C1227	1	DECAL, CONTROL PANEL (NOT SHOWN)	49	75475	4	M4 x 0.7 x 10 PHMS
23	54502	1	CIRCUIT BREAKER AUTO RESET	50	38150	6	M4 FLAT WASHER
24	A1495	2	M4-0.7 x 10 TAPTITE	51	C2657	1	TRANSFORMER, 16V 6VA
25	75235	4	M5-0.8 x 30 HEX HD.	52	22155	2	#6 LOCK WASHER
26	22985	1	M4/#6 FLAT WASHER	53	C1381	2	#6-32 x 1/4" PHILLIPS PAN HEAD, SELF TAPPING
27	92113	1	SWITCH SPDT (MOM)	54	22127	2	1/4"-20 HEX NUT
28	51714	4	M3-0.5 HEX NUT	55	C1226	1	HARNESS (NOT SHOWN)
				56	31879	2	#4 FLAT WASHER
				57	A9992E	1	10mm TERMINAL BLOCK
				58	A9992G	1	10mm INSULATING PLATE
				59	C1229	1	DECAL, CUSTOMER CONNECTION



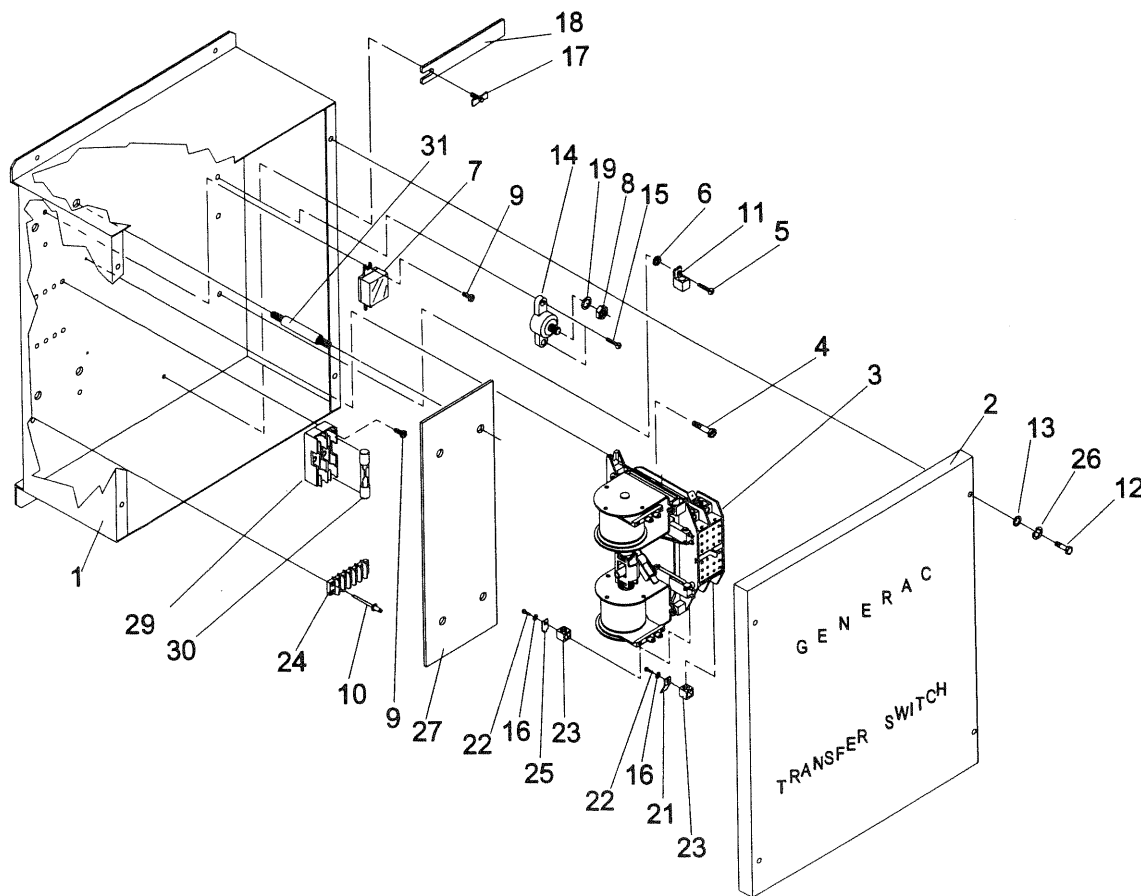
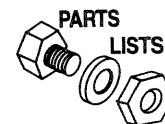
## Section 7 – Exploded Views and Parts Lists

### Guardian Air-cooled 6 kW, 8 kW and 10 kW Generators Alternator – Drawing No. C4143-A

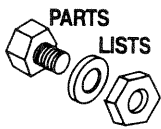


ITEM	PART NO.	QTY.	DESCRIPTION	ITEM	PART NO.	QTY.	DESCRIPTION
1	75995	1	6/8KW LOWER BEARING CARRIER	10	75242	4	ALTERNATOR MOUNTING SPRING
	A9226	1	10KW LOWER BEARING CARRIER	11	75237	4	SPRING CENTERING WASHER
2	31971	1	BEARING	12	52858	10	FLANGED LOCKING NUT M8- 1.25
3	A5649H	1	6KW ROTOR ASSEMBLY	13	75215	2	SPRING CENTERING WASHER
	73163H	1	8KW ROTOR ASSEMBLY	14	29459	2	BELT TENSIONING SPRING
	A9064	1	10KW ROTOR ASSEMBLY	15	C2375	2	M8-1.25 x 90 HEX HD. CAP SCREW (6/8KW)
4	73159	1	BEARING		39288	2	M8-1.25 x 55 HEX HD. CAP SCREW (10KW)
5	C1854H	1	6KW STATOR ASSEMBLY	16	45771	4	M8 NUT
	C1855H	1	8KW STATOR ASSEMBLY	17	27756	4	NYLON WASHER
	C1856	1	10KW STATOR ASSEMBLY	18	66849	2	M5-0.8 x 16MM SCREW
6	72379B	1	6/8KW UPPER BEARING CARRIER	19	66386	1	BRUSH HOLDER ASSEMBLY
	A9227	1	10KW UPPER BEARING CARRIER	20	C2094	1	6/8KW ALTERNATOR COVER
7	77006	4	8/10 KW STATOR BOLT		C1696	1	10KW ALTERNATOR COVER
	A6529	4	6 KW STATOR BOLT	21	22145	2	M8 FLAT WASHER
8	73146	4	6KW NYLON SLIDES	22	A5351	1	8KW NYLON SLIDE
	73146	2	8KW NYLON SLIDES				
	A9918	4	10KW NYLON SLIDES				
9	C1878	2	6/8KW SLIDE SUPPORT				
	A9202	2	10KW SLIDE SUPPORT				

**Section 7 – Exploded Views and Parts Lists**  
**Guardian Air-cooled 6 kW, 8 kW and 10 kW Generators**  
**Transfer Switch – Drawing No. C2696-**

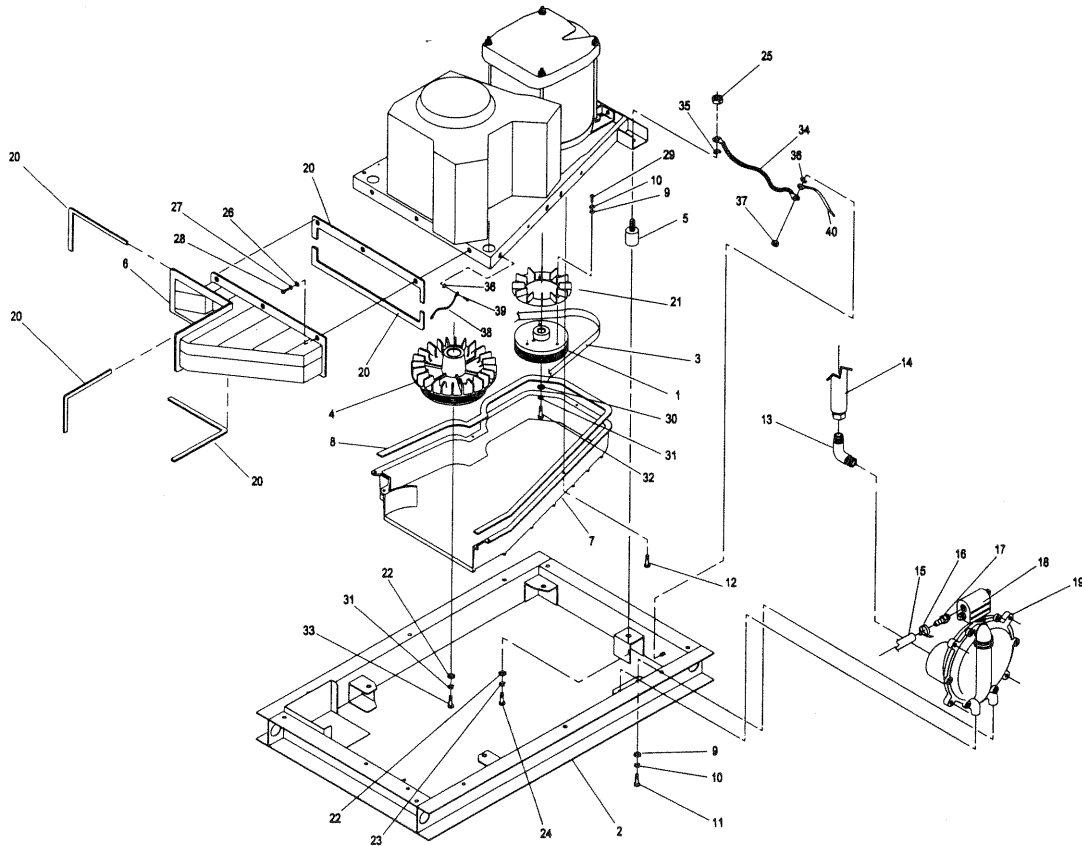


ITEM	PART NO.	QTY.	DESCRIPTION	ITEM	PART NO.	QTY.	DESCRIPTION
1	C2259	1	TRANSFER SWITCH ENCLOSURE	17	64113	1	WING NUT, M6-1.0
2	74975	1	ENCLOSURE COVER	18	77441	1	MANUAL TRANSFER HANDLE
3	C2237	1	TRANSFER SWITCH	19	22131	1	FLAT WASHER-3/8"
4	74908	4	M5-0.8 x 10 TAPTITE	21	74138	4	MALE DISCONNECT ADAPTOR
5	24912	1	1/4-20 x 5/8" TAPTITE	22	36932	6	SCREW, PAN HEAD NO. 10-32 x 1/4"
6	A1658	1	WASHER 1/4 SHAKEPROOF	23	77033	6	SOLDERLESS LUG
7	63617	1	RELAY-10AMP. 12 VOLTS DC	24	48850	1	TERMINAL BLOCK-5 POSITION
8	27628	1	HEX NUT-3/8"-16	25	77052	2	LUG .25-TAB #10-SCRW
9	24940	4	8-32 x 1/2" TAPTITE	26	22473	4	FLAT WASHER-M6
10	A1661	2	POP RIVET, .156 D x .5	27	C2261	1	COVER
11	62684	1	LUG, GROUND	28	C2260	1	TRANSFER WIRE HARNESS (NOT SHOWN FOR CLARITY)
12	42568	4	M6- 1.0 x 20 HEX HEAD BOLT	29	73591	2	FUSE HOLDER
13	22097	4	LOCK WASHER M6	30	73590A	2	FUSE, 5A 600 VOLT
14	57073	1	NEUTRAL LUG-JUNCTION BLOCK	31	40213B	4	STAND-OFF
15	66849	2	M5-.8 x 16 TAPTITE				
16	22152	6	LOCK WASHER NO. 10				



## Section 7 – Exploded Views and Parts Lists

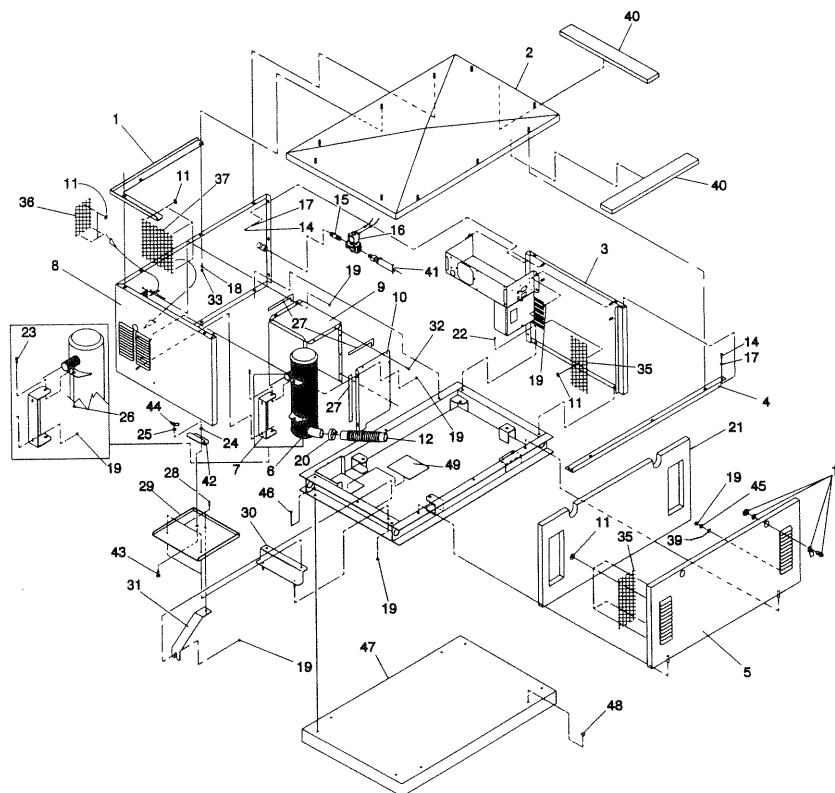
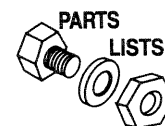
### Guardian Air-cooled 6 kW, 8 kW and 10 kW Generators Mounting Base Assembly – Drawing No. C4141-A



ITEM	PART NO.	QTY.	DESCRIPTION	ITEM	PART NO.	QTY.	DESCRIPTION
1	C1753	1	ALTERNATOR PULLEY, 6 KW/ 10 KW	20	C2131	1	GASKET SET, AIR DUCT
	C1753A	1	ALTERNATOR PULLEY, 8 KW	21	C1751	1	ALTERNATOR FAN MODEL, 6 KW/8 KW
2	A9628	1	ASSEMBLY, ENCLOSURE BASE		C1752	1	ALTERNATOR FAN MODEL, 10 KW
3	C1112	1	V-BELT	22	22131	5	3/8"- M10 FLAT WASHER
4	75224D	1	ENGINE PULLEY, 6 KW/10 KW	23	22237	4	3/8" LOCK WASHER
	75224G	1	ENGINE PULLEY, 8 KW	24	23152	4	3/8"-16 x 3/4" HEX HEAD BOLT
5	38353	4	RUBBER MOUNT	25	22241	4	3/8"-16 NUT
6	A9593	1	EXHAUST DUCT ASSEMBLY	26	22145	3	5/16"- M8 FLAT WASHER
7	A9827	1	BLOWER HOUSING	27	22129	3	5/16"- M8 LOCK WASHER
8	C1441	1	GASKET SET, BLOWER HOUSING	28	55173	3	M8-1.25 x 20 HEX HEAD
9	22473	5	1/4"- M6 FLAT WASHER	29	43116	3	M6-1.0 x 12 HHCS
10	22097	5	1/4"- M6 LOCK WASHER	30	49451	1	7 GA. x .41" x 1.62" FLAT WASHER
11	22287	2	1/4"-20 x 3/4" HEX HEAD	31	22237	2	3/8" LOCK WASHER
12	C2824	7	TAP-R #10-32 x 9/16"	32	42633	1	3/8"-24 x 1" HEX HEAD
13	C3117	1	90 DEG. STREET ELBOW-3/4"- 1/2" NPT	33	73118	1	3/8"-24 x 2-1/4" HEX HEAD
14	C3058	1	HOSE ASSEMBLY	34	C2417	1	GROUND STRAP
15	74994	1 FT.	1/2" I.D. HOSE	35	A4456	1	3/8" LOCK WASHER-SPECIAL
16	57822	2	HOSE CLAMP #8	36	A1658	2	1/4" LOCK WASHER-SPECIAL
17	63463	1	BARBED HOSE FITTING 3/8" NPT x 1/2"	37	49813	1	M6-1.0 NUT
18	C1616	1	8/10 KW LOAD BLOCK	38	AB38805	1	CABLE, BLACK-BATTERY
	C1616B	1	6 KW LOAD BLOCK	39	A2311	1	1/4"-20 x 1" FASTENER
19	75211	1	GAS REGULATOR	40	064-91297	1	WIRE, GROUND



**Section 7 – Exploded Views and Parts Lists**  
**Guardian Air-cooled 6 kW, 8 kW and 10 kW Generators**  
**Enclosure – Drawing No. C4139-A**



ITEM	PART NO.	QTY.	DESCRIPTION	ITEM	PART NO.	QTY.	DESCRIPTION
1	A9962	1	PLATE, INTAKE	29	A9961	1	BATTERY TRAY
2	A9892	1	ENCLOSURE, ROOF	30	A9963	1	BATTERY TRAY SUPPORT
3	C4132	1	PANEL, ENCLOSURE-ALT SIDE	31	A9964	1	ANGLED BATTERY TRAY SUPPORT
4	C4109	1	RAIL, TOP SUPPORT	32	56893	5	CRIMPTITE-#10-24 x 1/2"
5	A9633	1	ENCLOSURE, DOOR	33	69673J	5	5/16"-18 HEX LOCKING FLANGE NUT
6	A9651	1	MUFFLER	34	SRV C3677	1	KEY, REPLACEMENT (NOT SHOWN)
7	A9897	1	SUPPORT, BRACKET MUFFLER	35	C2506A	3	MESH, DOOR PANEL
8	C4131	1	SIDE & BACK ENCLOSURE	36	C2506B	1	MESH, EXHAUST BOX
9	A9631	1	BOX, MUFFLER	37	C2506C	1	MESH, EXHAUST OUTLET
10	A9632	1	COVER, EXHAUST BOX	38	C2309	1	DOOR DECAL (NOT SHOWN) (04077, 04079, 04109)
11	78115	19	SELF LOCKING DOME WASHER		C3176	1	DOOR DECAL (NOT SHOWN) (04178)
12	A9816	1	FLEX-EXHAUST PIPE		C3177	1	DOOR DECAL (NOT SHOWN) (04177)
13	C1023	2	DOOR LATCH	39	063-91297	1	WIRE, GROUND
14	A2110	5	1/4"-20 x 1/2" SWAGE FASTENER	40	C2502	1	BARRIER FOAM
15	26915	1	3/4" NPT CLOSE NIPPLE	41	C3058	1	HOSE ASSEMBLY
16	A2666	1	FUEL SOLENOID	42	C2937	1	BATTERY HOLD-DOWN
17	22473	5	1/4"-M6 FLAT WASHER	43	C3062	1	CARRIAGE BOLT 5/16"-18 x 1"
18	C3168	1	5/16" SPECIAL LOCK WASHER	44	A8379	1	5/16"-18 WING NUT
19	52857	18	M6 -1.0 LOCKING FLANGE NUT	45	A1658	1	1/4" SPECIAL LOCK WASHER
20	C2866	1	EXHAUST CLAMP	46	C5292	4	PLASTITE, 1/4"-10 x 3/4"
21	C3985	1	FOAM DOOR	47	C5084A	1	INSTALLATION PAD
22	C3906	6	M6- 1.0 x 16 HEX HD. & SELF-ALIGNING SCREW	48	C5291	4	PLUG, INSTALLATION PAD- 3/8"
23	51756	2	M10-1.5 x 20 HEX HEAD	49	C5104	1	INSULATION, MUFFLER BOX
24	22145	1	5/16"-M8 FLAT WASHER				
25	22129	1	5/16"-M8 LOCK WASHER				
26	52859	2	M10-1.5 LOCKING NUT				
27	C2310	1	GASKET, SET-MUFFLER BOX				
28	A2393	3	M6 1.0 x 16 FLAT SOCKET HD. CAPSCR.				