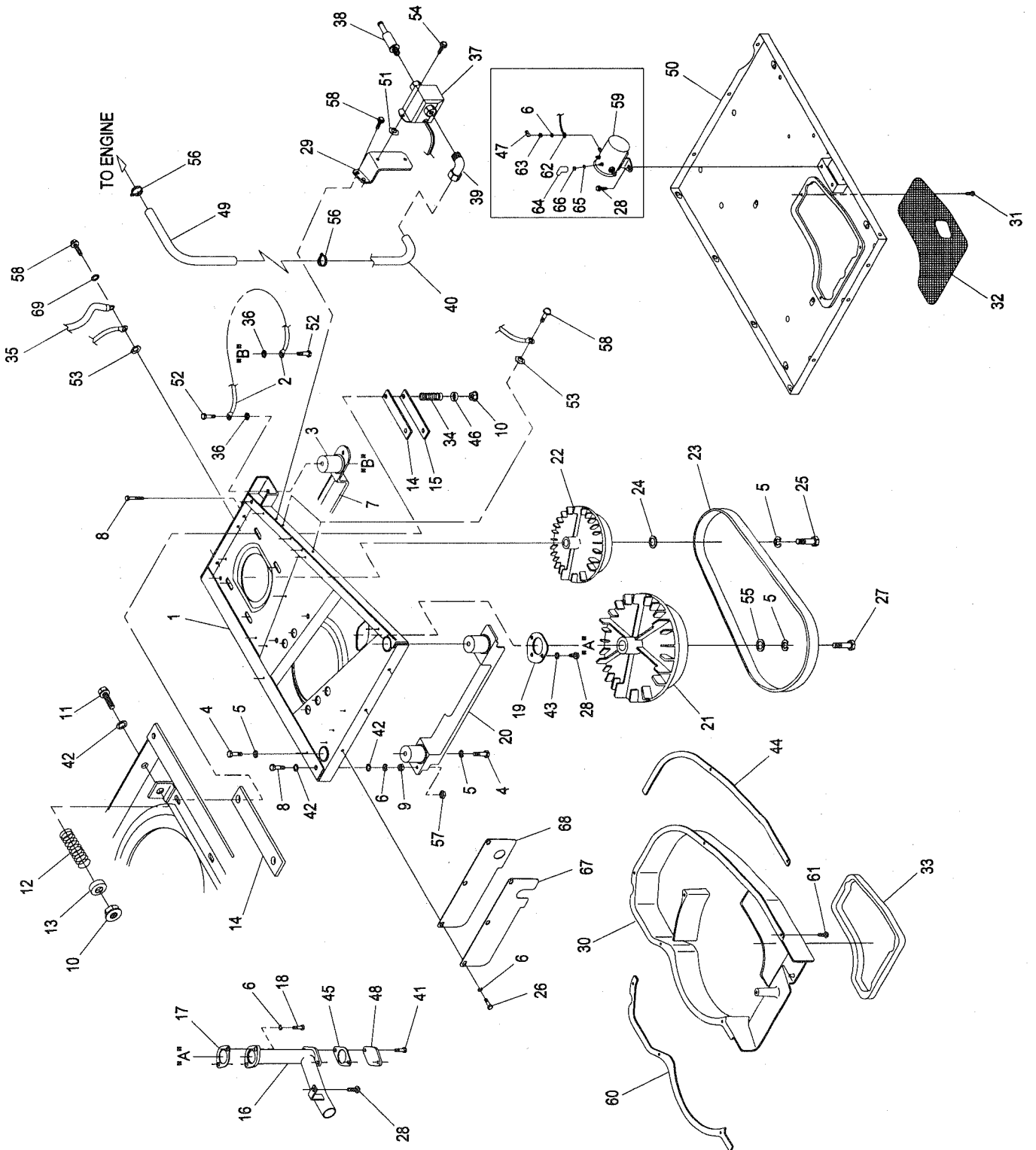


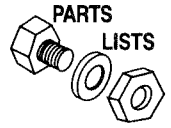
Appendix 4 – Exploded Views and Parts Lists

PRIMEPACT 50 Recreational Vehicle Generator
Base and Pulleys (Model 02010-0) – Drawing No. D1759-A

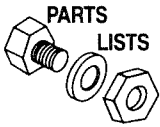


Appendix 4 – Exploded Views and Parts Lists

PRIMEPACT 50 Recreational Vehicle Generator Base and Pulleys (Model 02010-0) – Drawing No. D1759-A

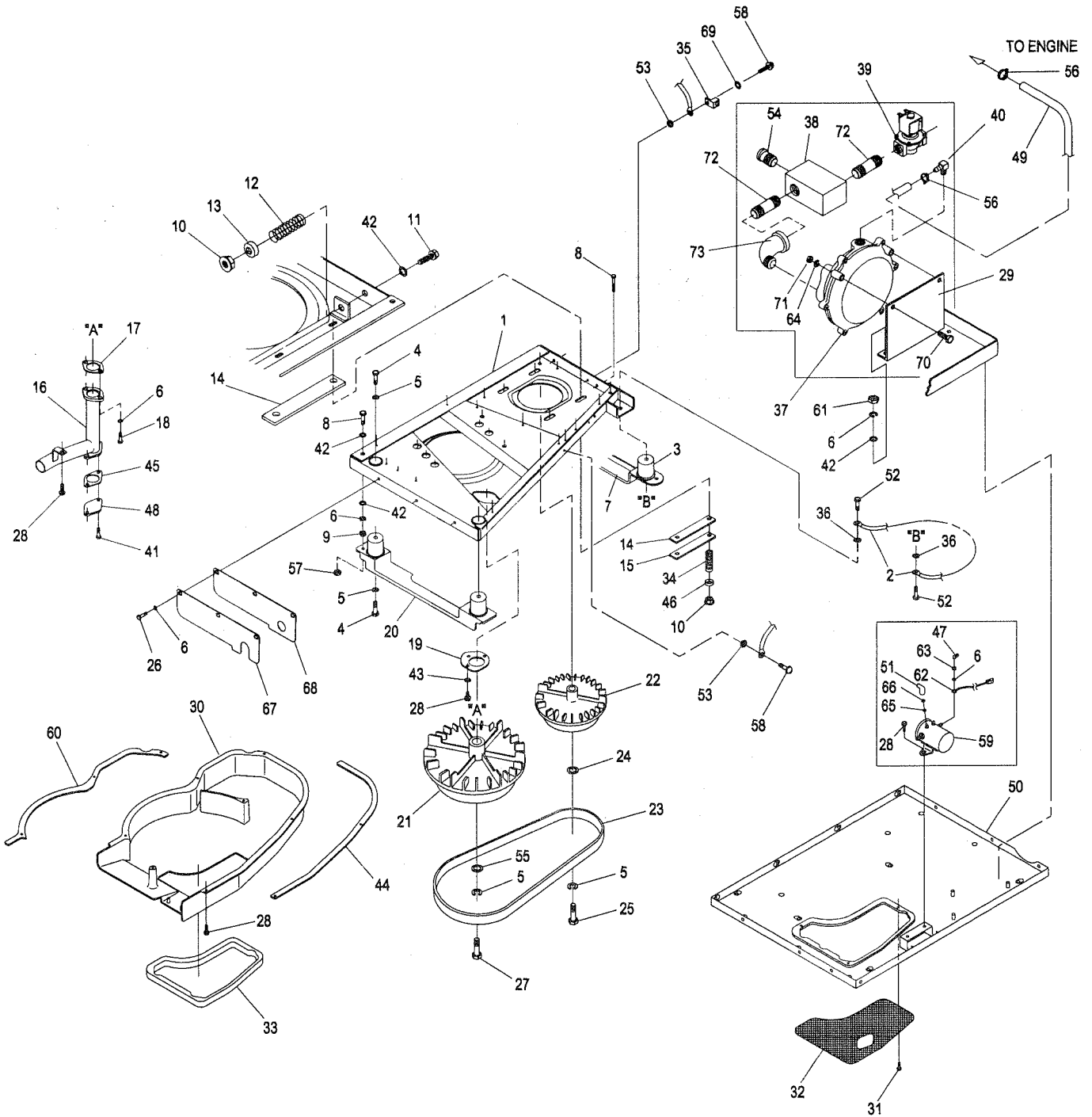


ITEM	PART NO.	QTY.	DESCRIPTION	ITEM	PART NO.	QTY.	DESCRIPTION
1	C2368	1	BASE, MOUNTING	35	C4006	1	CABLE, BATTERY
2	53407	1	GROUND CABLE	36	A4456	2	3/8" SPECIAL LOCK WASHER
3	46911	4	MOUNT, (RUBBER)	37	90475	1	FUEL PUMP
4	25017	6	CAPSCREW, HEX HD.-3/8"-16 X 1/2"	38	87769	1	FUEL FILTER
5	22237	6	LOCK WASHER-3/8"	39	A7695	1	FITTING-1/8" PIPE TO 1/4" TUBE
6	22129	9	LOCK WASHER-M8	40	A6922	1	FUEL TUBE, METAL
7	A6479	1	SKID, RUBBER MOUNT	41	79246	2	CAPSCR., HEX HD.-M6-1.0 X 16
8	77603	2	SAFETY BOLT 5/16"-18 X 3 1/2"	42	22145	5	FLAT WASHER-M8-5/16"
9	22259	2	NUT, HEX-5/16"-18	43	38150	3	FLAT WASHER-#8
10	52858	6	NUT, FLANGED LOCK-M8-1.25	44	A8010A	1	GASKET, BLOWER HSNG
11	51730	2	CAPSCR. HEX HD.-M8-1.25 X 60MM	45	77643	1	EXHAUST PIPE GASKET
12	29459	2	SPRING, BELT TENSION	46	75237	4	WASHER, SPRING RETAINER
13	75215	2	WASHER, SPRING CNTR.	47	D1741A	1	BOOT, STARTER CONTACTOR
14	73146	4	SLIDE (NYLON)	48	90859	1	EXHAUST COVER PLATE
15	75209	2	SUPPORT, NYLON SLIDE	49	30340	6 IN.	HOSE, FUEL
16	A8341	1	MANIFOLD, EXHAUST	50	A8594	1	PAN, SLIDE
17	90239	1	GASKET, EXHAUST MANIFOLD	51	A1658	2	SPECIAL LOCK WASHER, 1/4"
18	40976	2	SOCKET HD. CAPSCR.,- M8-1.25 X 20 LG.	52	23152	2	CAPSCR., HEX HD.-3/8"-16 X 3/4"
19	A6858	1	GASKET, COLLECTOR PAN	53	A8475	3	SPECIAL LOCK WASHER, M5
20	A8614	1	SKID, RUBBER MOUNT	54	45756	2	SCREW, TAPTITE-M6-1.0 X 10 LG.
21	75224-B	1	PULLEY, ENGINE	55	22131	1	FLAT WASHER-M10
22	73106-B	1	PULLEY, ALT.	56	48031-C	2	CLAMP, HOSE
23	75216	1	BELT (POLY V 4L)-40"	57	81105	2	NUT, FLANGE-5/16"-18 (SPECIAL)
24	49451	1	WASHER, PULLEY RETAINER	58	66849	5	SCREW, TAPTITE M5-0.8 X 16 LG.
25	42633	1	CAPSCR., SOCKET HD. 3/8"-24 X 1" (GRADE 5)	59	D1227	1	STARTER CONTACTOR
26	39253	3	CAPSCR., HEX HD.-M8-1.25 X 20	60	A8010	1	GASKET, BLOWER HSNG
27	A8250	1	CAPSCR., HEX HD.-3/8"-24 X 2"	61	C2824	7	HHS #10-32 X 9/16" LG, TAP-R
28	56893	7	CRIMPTITE-#10-24 X 1/2"	62	131-74260	1	STARTER CABLE
29	A8615	1	BRACKET-FUEL PUMP	63	24114	2	HEX NUT-5/16"-24
30	C1320	1	HOUSING, BLOWER	64	D1741	2	BOOT, STARTER CONTACTOR
31	63036	3	CRIMTITE-#8-18 X 1/4"	65	22152	2	LOCK WASHER-M4
32	A8694	1	SCREEN, SLIDE PAN	66	22158	2	HEX NUT-#10-32
33	A8726	1	GASKET, BLOWER / PAN	67	A8531	1	PLATE, BLOWER SIDE
34	75242	4	SPRING, GENERATOR SET MT	68	A8407	1	GASKET, BLOWER SIDE
				69	22473	1	FLAT WASHER 1/4"

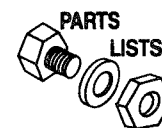


Appendix 4 – Exploded Views and Parts Lists

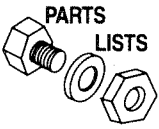
**PRIMEPACT 50 Recreational Vehicle Generator
Base and Pulleys (Model 04164-0) – Drawing No. D1758-B**



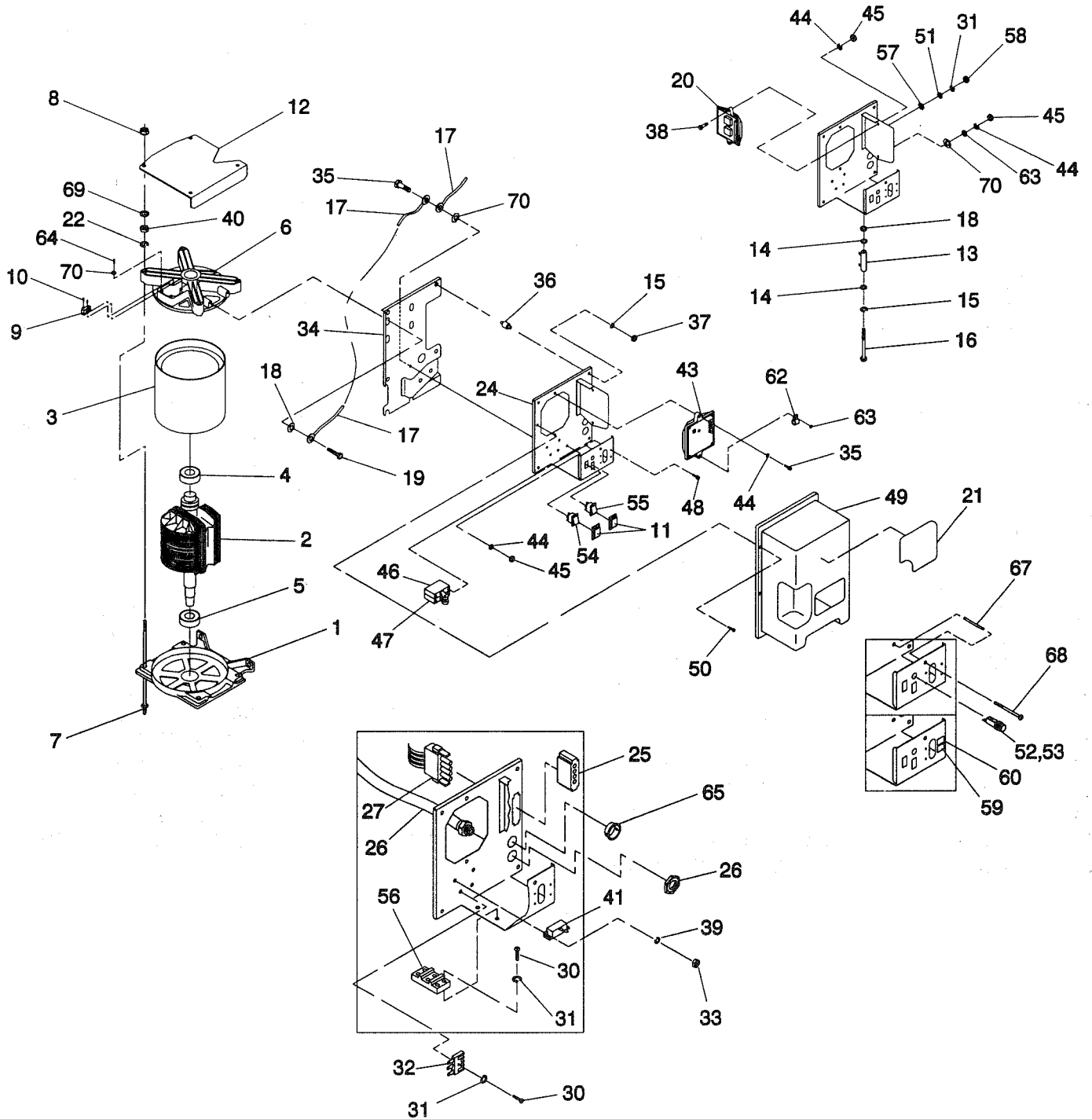
Appendix 4 – Exploded Views and Parts Lists
PRIMEPACT 50 Recreational Vehicle Generator
Base and Pulleys (Model 04164-0) – Drawing No. D1758-B



ITEM	PART NO.	QTY.	DESCRIPTION	ITEM	PART NO.	QTY.	DESCRIPTION
1	C2368	1	BASE, MOUNTING	37	D2530	1	REGULATOR, GAS FUEL
2	53407	1	GROUND CABLE	38	A6894	1	MANIFOLD, LP
3	46911	4	MOUNT, (RUBBER)	39	A2666	1	SOLENOID, GAS FUEL
4	25017	6	CAPSCREW, HEX HD.-3/8"-16 X 1/2"	40	61696	1	BARB, 90 DEG. 1/2" X 3/8" NPT
5	22237	6	LOCK WASHER-3/8"	41	79246	2	CAPSCR., HEX HD.-M6-1.0 X 16
6	22129	12	LOCK WASHER-M8	42	22145	8	FLAT WASHER-M8-5/16"
7	A6479	1	SKID, RUBBER MOUNT	43	38150	3	FLAT WASHER-#8
8	77603	2	SAFETY BOLT 5/16"-18 X 3 1/2"	44	A8010A	1	GASKET, BLOWER HSNQ
9	22259	2	NUT, HEX-5/16"-18	45	77643	1	EXHAUST PIPE GASKET
10	52858	6	NUT, FLANGED LOCK-M8-1.25	46	75237	4	WASHER, SPRING RETAINER
11	51730	2	CAPSCR. HEX HD.-M8-1.25 X 60MM	47	75763-A	1	BOOT, BATTERY CABLE
12	29459	2	SPRING, BELT TENSION	48	90859	1	EXHAUST COVER PLATE
13	75215	2	WASHER, SPRING CNTR.	49	74994	10.5"	HOSE, 1/2 ID PETROLEOM
14	73146	4	SLIDE (NYLON)	50	A8594	1	PAN, SLIDE
15	75209	2	SUPPORT, NYLON SLIDE	51	D1741	2	BOOT, STARTER CONTACTOR
16	A8341	1	MANIFOLD, EXHAUST	52	23152	2	CAPSCR., HEX HD.-3/8"-16 X 3/4"
17	90239	1	GASKET, EXHAUST MANIFOLD	53	A8475	2	SPECIAL LOCK WASHER, M5
18	40976	2	SOCKET HD. CAPSCR.,- M8-1.25 X 20 LG.	54	C3766	1	3/4" NPT PLUG
19	A6858	1	GASKET, COLLECTOR PAN	55	22131	1	FLAT WASHER-M10
20	A8614	1	SKID, RUBBER MOUNT	56	57822	2	#8 HOSE CLAMP
21	75224-B	1	PULLEY, ENGINE	57	81105	2	NUT, FLANGE-5/16"-18 (SPECIAL)
22	73106-B	1	PULLEY, ALT.	58	66849	2	SCREW, TAPTITE M5-0.8 X 16 LG.
23	75216	1	BELT (POLY V 4L)-40"	59	D1227	1	STARTER CONTACTOR
24	49451	1	WASHER, PULLEY RETAINER	60	A8010	1	GASKET, BLOWER HSNQ
25	42633	1	CAPSCR., SOCKET HD. 3/8"-24 X 1" (GRADE 5)	61	45771	3	M8-1.25 HEX NUT
26	39253	3	CAPSCR., HEX HD.-M8-1.25 X 20	62	131-74260	1	STARTER CABLE
27	A8250	1	CAPSCR., HEX HD.-3/8"-24 X 2"	63	24114	2	HEX NUT- 5/16-24
28	56893	14	CRIMPTITE-#10-24 X 1/2"	64	22097	2	LOCK WASHER-1/4"
29	A7837	1	BRACKET, LP REGULATOR	65	22152	2	LOCK WASHER-M4
30	C1320	1	HOUSING, BLOWER	66	22158	2	HEX NUT-#10-32
31	63036	3	CRIMTITE-#8-18 X 1/4"	67	A8531	1	PLATE, BLOWER SIDE
32	A8694	1	SCREEN, SLIDE PAN	68	A8407	1	GASKET, BLOWER SIDE
33	A8726	1	GASKET, BLOWER / PAN	69	22473	1	FLAT WASHER 1/4"
34	75242	4	SPRING, GENERATOR SET MT	70	38750	2	M6-1.0 X 30 HHCS
35	62684	1	GROUNDING LUG	71	49813	2	M6-1.0 HEX NUT
36	A4456	2	3/8" SPECIAL LOCK WASHER	72	26915	2	CLOSE NIPPLE 3/4" NPT
				73	26307	1	90 DEG. 3/4" STREET ELBOW

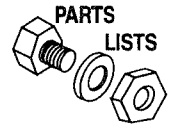


Appendix 4 – Exploded Views and Parts Lists
PRIMEPACT 50 Recreational Vehicle Generator
Alternator and Panel (Model 02010-0) – Drawing No. A8922-F

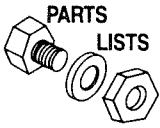


Appendix 4 – Exploded Views and Parts Lists

PRIMEPACT 50 Recreational Vehicle Generator Alternator and Panel (Model 02010-0) – Drawing No. A8922-F

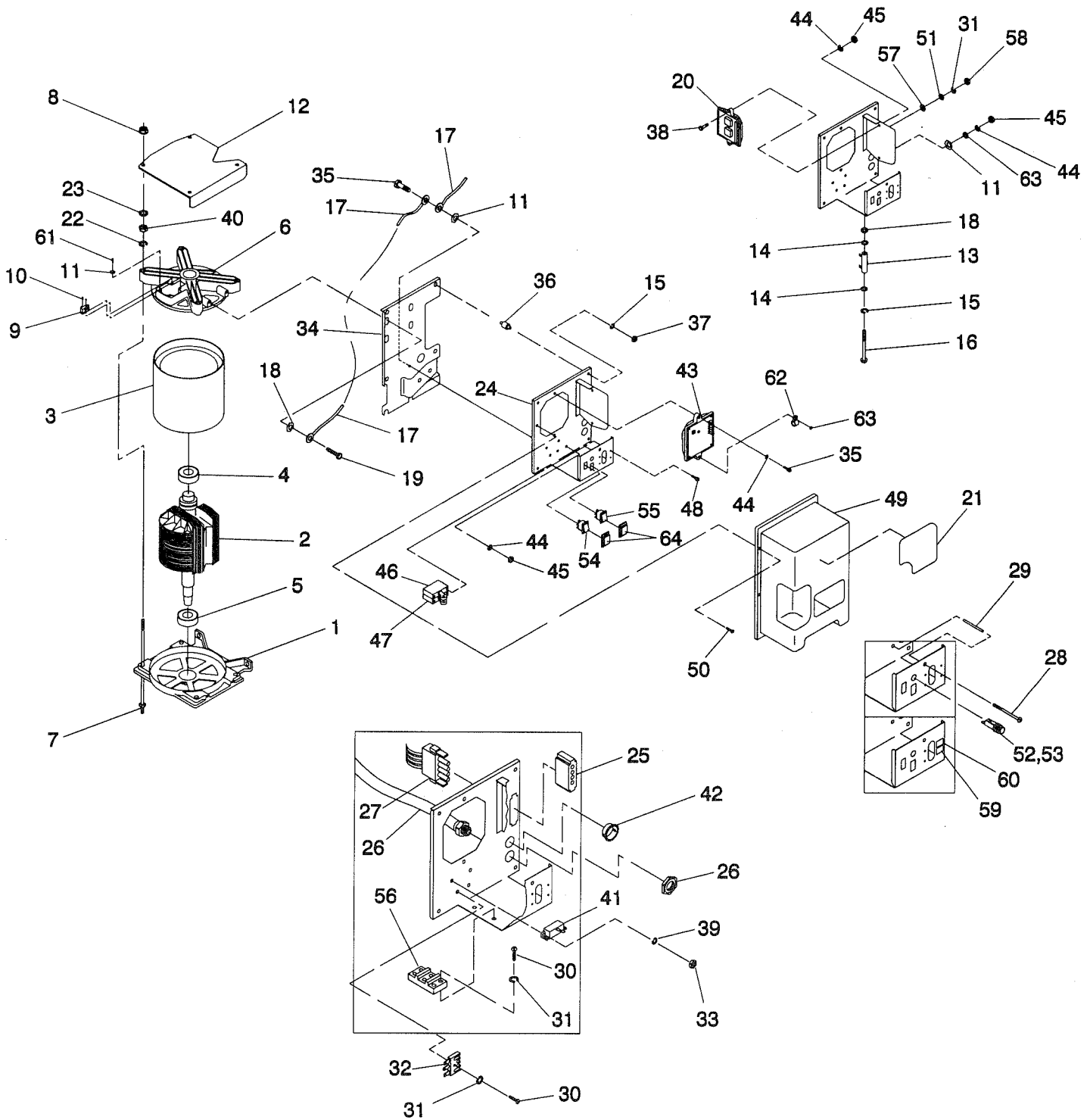


ITEM	PART NO.	QTY.	DESCRIPTION	ITEM	PART NO.	QTY.	DESCRIPTION
1	75995	1	LOWER BEARING CARRIER	37	49813	4	M6-1.0 HEX NUT
2	A5649H	1	ROTOR ASSEM.	38	55440	2	M5-08 X 25 LG. HEX HD. CAPSCR.
3	A5646H	1	STATOR ASSEM.	39	43182	2	M3-LOCK WASHER
4	73159	1	BALL BEARING	40	45771	4	HEX NUT, M8
5	31971	1	BALL BEARING	41	53623	1	C/BREAKER 2.5A.-ON
6	72379-B	1	UPPER BEARING CARRIER	43	83049	1	REGULATOR VOLTAGE
7	A6529	4	STUD-STATOR	44	22152	5	LOCKWASHER, #10
8	52858	4	M8-1.25 FLANGE LOCK NUT	45	51716	3	M5-0.8 HEX NUT
9	66386	1	BRUSH HOLDER	46	90144	1	C/BREAKER 20A.
10	66849	3	M5-0.8 X 16 LG. TAPTITE	47	90145	1	C/BREAKER 30A. ALL UNITS
11	D2724	2	BOOT, ROCKER SWITCH	48	25105	4	#6-32 SCREW W/LOCK WASHER
12	C3818	1	GENERATOR TOP HOUSING	49	86315	1	PANEL COVER
13	75234	1	RESISTOR1R 5% 25 WLVG	50	90734	4	M4-0.7 X 12 LG. CAPSCR.W/LOCK- WASHER & FLAT WASHER
14	22473	2	¼" M6-FLAT WASHER				
15	22097	5	¼" M6-LOCK WASHER	51	22985	1	#6-FLAT WASHER
16	A2053	1	M6-1.0 X 65 LG. CAPSCREW	52	32300	1	FUSE HOLDER
17	90141	2	GROUND CABLE	53	22676	1	FUSE AGC-15A.
18	A1658	2	SPECIAL LOCK WASHER, M6	54	87798	1	SWITCH S.P.D.T. 6A.-(START-STOP)
19	74906	4	M6-1.0 X 20 LG. TAPTITE	55	92113	1	SWITCH S.P.D.T.-(FUEL PUMP)
20	92234	1	CONTROLLER P.C.B.	56	75210-A	1	TERMINAL BLOCK
21	C2337	1	DECAL, UNIT GAS	57	A8475A	1	SPECIAL LOCK WASHER, M4
22	22129	4	5/16" -M8 LOCK WASHER	58	51715	1	M4-0.7 HEX NUT
24	86316	1	PANEL SHEET METAL	59	90157	1	DECAL, CB RATING 30A.
25	53650	1	4-PIN CONNECTOR	60	90156	1	DECAL, CB RATING 20A.
26	C4258	1	CONDUIT ASSEMBLY	62	31791	1	CLAMP, HOSE
27	75244	1	ASSEMBLY, REMOTE CABLE	63	23897	2	#10/ M5-FLAT WASHER
30	75476	3	M4-0.7 X 16 LG. CAPSCREW	64	74908	2	M5-0.8 X 10 LONG TAPTITE
31	22264	4	#8/ M4-LOCK WASHER	65	23484-S	1	BUSHING
32	65795	1	BATTERY CHARGE RECTIFIER	67	94070	1	SPACER-PLASTIC
33	90987	2	M3-0.5 X 12 LG. PPHMS	68	94071	1	M5-.08 X 110 LG. PPHMS
34	86317A	1	PANEL SUPPORT BRACKET	69	27756	4	NYLON WASHER
35	75235	3	M5-0.8 X 30 LG. CAPSCREW	70	A8475	3	SPECIAL LOCK WASHER, M5
36	82737	4	VIBRATION MOUNT				



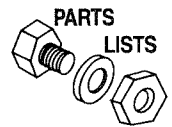
Appendix 4 – Exploded Views and Parts Lists

PRIMEPACT 50 Recreational Vehicle Generator
Alternator and Panel (Model 04164-0) – Drawing No. D1776-A

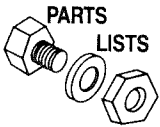


Appendix 4 – Exploded Views and Parts Lists

PRIMEPACT 50 Recreational Vehicle Generator Alternator and Panel (Model 04164-0) – Drawing No. D1776-A



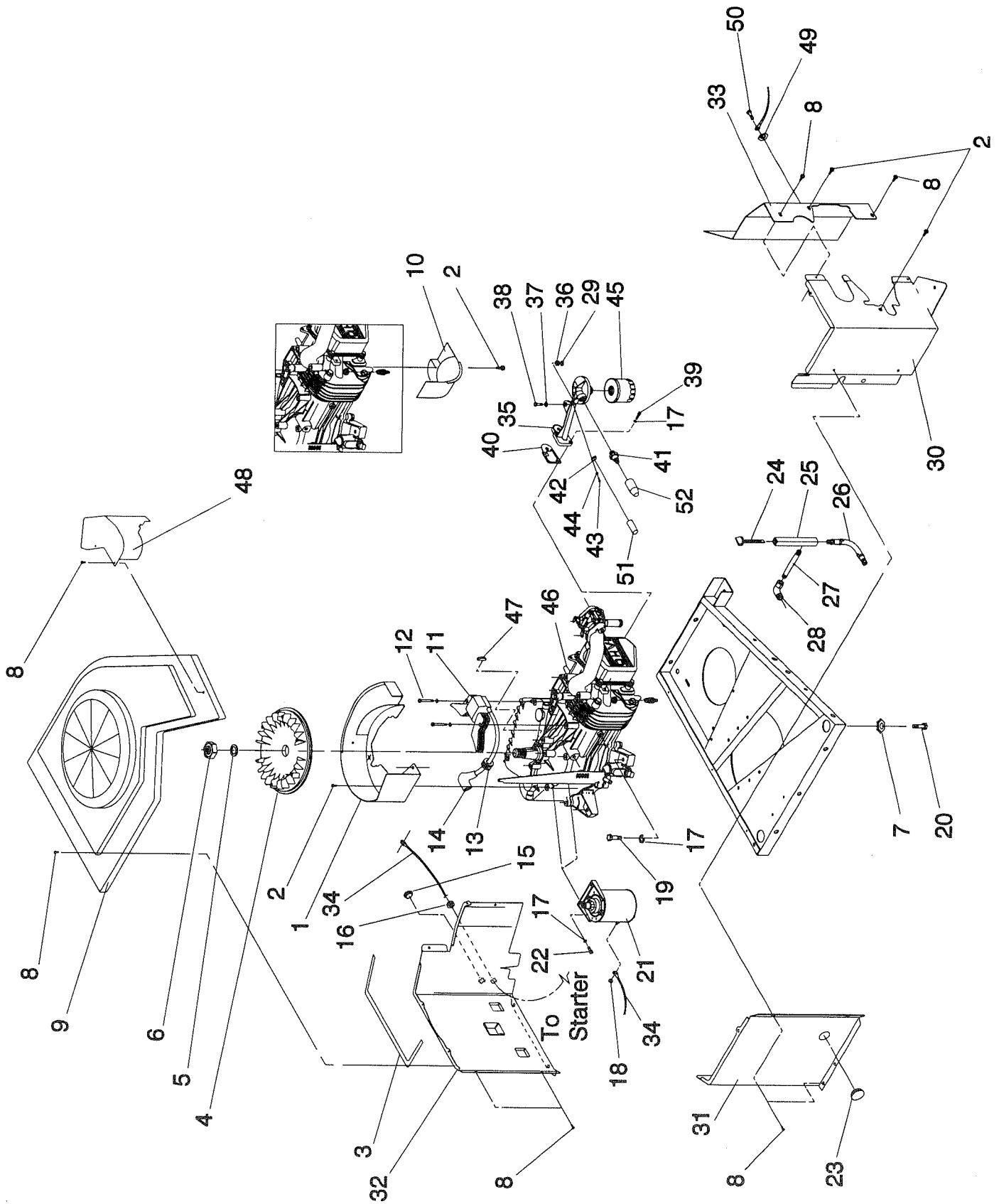
ITEM	PART NO.	QTY.	DESCRIPTION	ITEM	PART NO.	QTY.	DESCRIPTION
1	C9675	1	LOWER BEARING CARRIER	34	86317A	1	PANEL SUPPORT BRACKET
2	A5649H	1	ROTOR ASSEM.	35	75235	3	M5-0.8 X 30 LG. CAPSCREW
3	A5646H	1	STATOR ASSEM.	36	82737	4	VIBRATION MOUNT
4	73159	1	BALL BEARING	37	49813	4	M6-1.0 HEX NUT
5	31971	1	BALL BEARING	38	55440	2	M5-08 X 25 LG. HEX HD. CAPSCR.
6	C9674	1	UPPER BEARING CARRIER	39	43182	2	M3-LOCK WASHER
7	A6529	4	STUD-STATOR	40	45771	4	HEX NUT, M8
8	52858	4	M8-1.25 FLANGE LOCK NUT	41	53623	1	C/BREAKER 2.5A.-ON
9	66386	1	BRUSH HOLDER	42	23484-S	1	BUSHING
10	66849	3	M5-0.8 X 16 LG. TAPTITE	43	83049	1	REGULATOR VOLTAGE
11	A8475	3	SPECIAL LOCK WASHER, M5	44	22152	5	LOCKWASHER, #10
12	C3818	1	GENERATOR TOP HOUSING	45	51716	3	M5-0.8 HEX NUT
13	75234	1	RESISTOR1R 5% 25 WLVG	46	90144	1	C/BREAKER 20A.
14	22473	2	1/4" M6-FLAT WASHER	47	90145	1	C/BREAKER 30A. ALL UNITS
15	22097	5	1/4" M6-LOCK WASHER	48	25105	4	#6-32 SCREW W/LOCK WASHER
16	A2053	1	M6-1.0 X 65 LG. CAPSCREW	49	86315	1	PANEL COVER
17	90141	2	GROUND CABLE	50	90734	4	M4-0.7 X 12 LG. CAPSCR.W/LOCK- WASHER & FLAT WASHER
18	A1658	2	SPECIAL LOCK WASHER, M6	51	22985	1	#6-FLAT WASHER
19	74906	4	M6-1.0 X 20 LG. TAPTITE	52	32300	1	FUSE HOLDER
20	94039	1	CONTROLLER P.C.B.	53	22676	1	FUSE AGC-15A.
21	C2337A	1	DECAL, UNIT (LP MODEL)	54	87798	1	SWITCH S.P.D.T. 6A.-(START-STOP)
22	22129	4	5/16" -M8 LOCK WASHER	55	92113	1	SWITCH S.P.D.T.-(FUEL PUMP)
23	27756	4	NYLON WASHER	56	75210-A	1	TERMINAL BLOCK
24	86316	1	PANEL SHEET METAL	57	A8475A	1	SPECIAL LOCK WASHER, M4
25	53650	1	4-PIN CONNECTOR	58	51715	1	M4-0.7 HEX NUT
26	C4258	1	CONDUIT ASSEMBLY	59	90157	1	DECAL, CB RATING 30A.
27	75244	1	ASSEMBLY, REMOTE CABLE	60	90156	1	DECAL, CB RATING 20A.
28	94071	1	M5-.08 X 110 LG. PPHMS	61	74908	2	M5-0.8 X 10 LONG TAPTITE
29	94070	1	SPACER-PLASTIC	62	31791	1	CLAMP, HOSE
30	75476	3	M4-0.7 X 16 LG. CAPSCREW	63	23897	2	#10/ M5-FLAT WASHER
31	22264	4	#8/ M4-LOCK WASHER	64	D2724	2	BOOT, ROCKER SWITCH
32	65795	1	BATTERY CHARGE RECTIFIER				
33	90987	2	M3-0.5 X 12 LG. PPHMS				



Appendix 4 – Exploded Views and Parts Lists

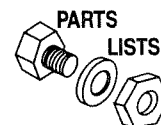
PRIMEPACT 50 Recreational Vehicle Generator

Engine Sheet Metal (Model 02010-0 and 04164-0) – Drawing No. D1760-A

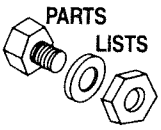


Appendix 4 – Exploded Views and Parts Lists

PRIMEFACT 50 Recreational Vehicle Generator Engine Sheet Metal (Model 02010-0 and 04164-0) – Drawing No. D1760-A



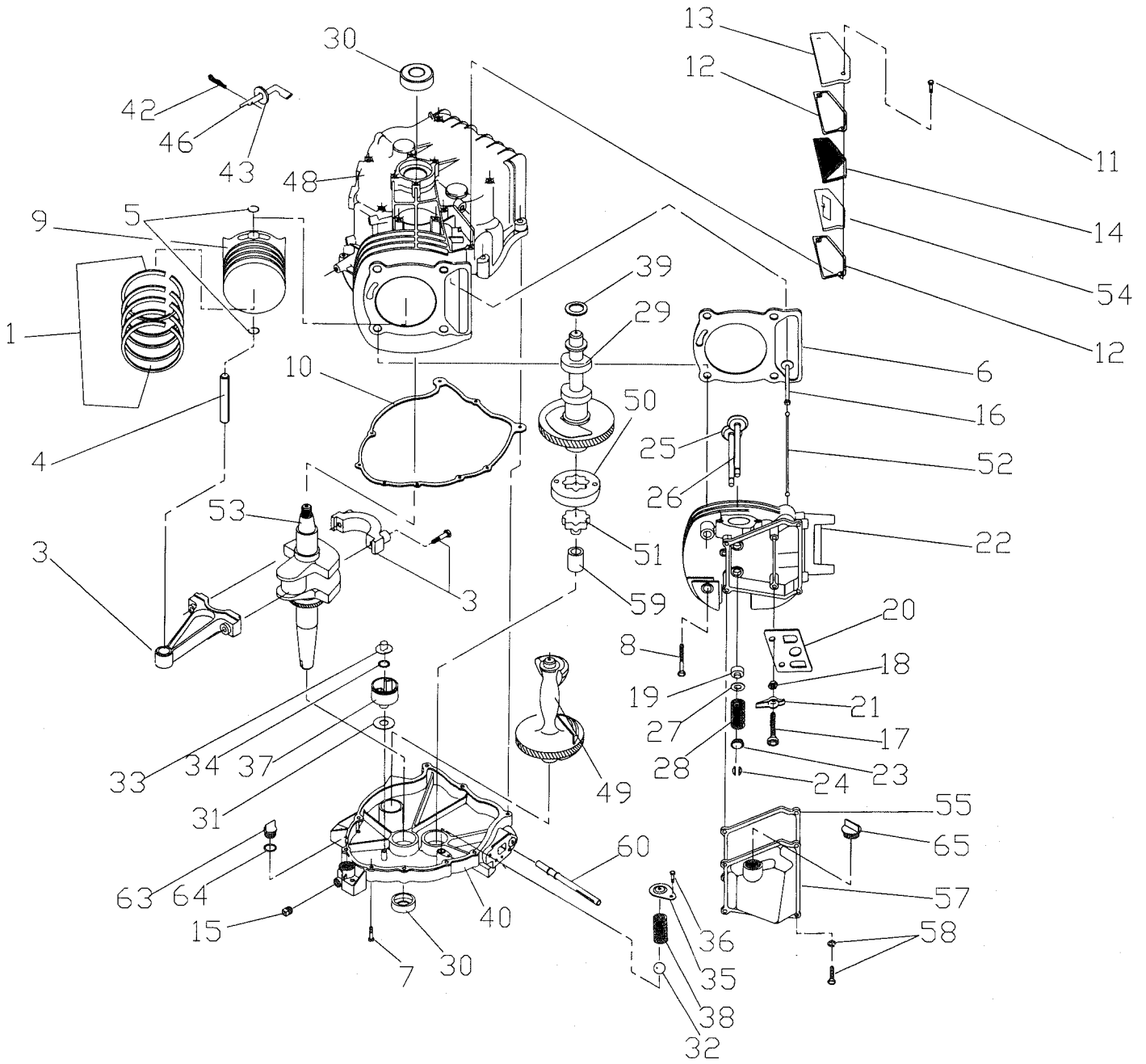
ITEM	PART NO.	QTY.	DESCRIPTION
1	A4323	1	SCROLL, FLYWHEEL
2	45756	8	SCREW, TAPTITE M6-1.0 X 10MM
3	29289	2.5 FT.	FOAM TAPE
4	SRV 91222D	1	FLYWHEEL
5	67198N	1	WASHER, BELLVILLE M20 X 2.2
6	67890	1	NUT, M20 X 1.5, FLYWHEEL
7	A4456	1	3/8" SPECIAL LOCK WASHER
8	56893	21	SCREW, CRIMPTITE #10-24 X 0.5"
9	A6358	1	COVER, TOP FLYWHEEL
10	91646	1	DEFLECTOR, EXHAUST PORT
11	92572	1	ASSEMBLY, IGNITION COIL
12	92079	2	SCREW, TAPTITE M6-1.0 X 25MM
13	22717A	1	GROMMET, RUBBER
14	73132	1	BOOT, SPARK PLUG
15	61669	1	PLUG, BUTTON 3/4"
16	89685	2	GROMMET, RUBBER
17	22129	6	LOCK WASHER-M8
18	22127	1	HEX NUT-1/4"-20
19	57821	2	CAPSCR., HEX HD.-M8-1.25 X 40MM
20	59637	2	SCREW, TAPTITE 3/8"-16 X 0.75"
21	21544	1	MOTOR, STARTER-12VOLT
22	40976	2	SOCKET HD. CAPSCR., M8-1.25 X 20MM
23	25034	1	PLUG, BUTTON 1-1/16"
24	A8875	1	ASSEMBLY, DIPSTICK & CAP
25	A7299	1	OIL DRAIN/DIPSTICK TUBE
26	A9539	1	OIL DRAIN HOSE ASSEMBLY
27	A7838	1	PIPE NIPPLE, 3/8" X 8" LG.
28	38593	1	BRASS STREET ELBOW, 3/8"
29	22473	1	FLAT WASHER, 1/4"-M6
30	A6357	1	WRAPPER, ENGINE SPARK PLUG
31	90954	1	WRAPPER, STARTER SIDE
32	A6489	1	WRAPPER, REAR GEAR CASE
33	A6359	1	WRAPPER, CARB. SIDE
34	131-74260	1	ASSEMBLY, WIRE-STARTER (#16)
35	90892	1	SUPPORT, OIL FILTER
36	91159	1	BUSHING, RUBBER
37	91160	1	WASHER, RUBBER
38	91161	1	BOLT, SHOULDER-M6-1.0 X 15MM
39	49821	2	BOLT, SOCKET HD. CAPSCR.-M8-1.25 X 30MM
40	86999	1	GASKET, OIL FILTER SUPPORT
41	A8584	1	SWITCH, OIL PRESSURE-10 PSI
42	75281	1	SWITCH, OIL TEMPERATURE
43	C1085	2	SCREW, PHILIPS PAN HD. MACH.-M3-0.5 X 8MM
44	43182	2	LOCK WASHER-M3
45	70185	1	FILTER, OIL
46	A7629	1	ENGINE, LONG BLOCK-GN410VSRV
47	82774	1	KEY, WOODRUFF 4 X 19 DIA.
48	C2308	1	COVER, CARB.
49	A1658	1	SPECIAL LOCK WASHER, M6
50	90388	1	TAPTITE, M6-1.00 X 12MM
51	75474A	1	BOOT, TEMPERATURE SWITCH
52	D1624	1	BOOT, OIL PRESSURE SWITCH



Appendix 4 – Exploded Views and Parts Lists

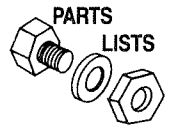
PRIMEPACT 50 Recreational Vehicle Generator

GN-410 Engine (Model 02010-0 and 04164-0) – Drawing No. A7894-E

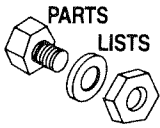


Appendix 4 – Exploded Views and Parts Lists

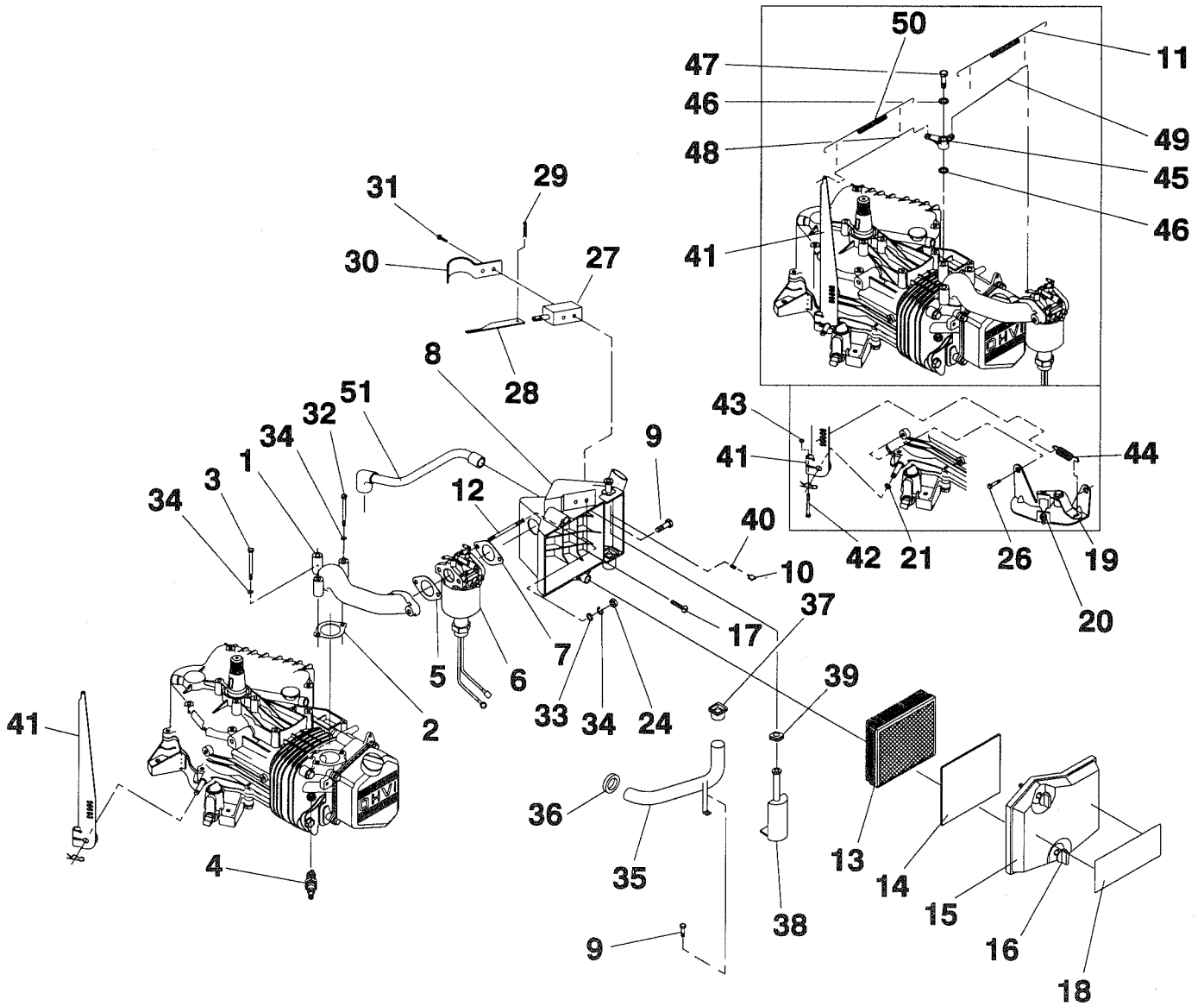
PRIMEPACT 50 Recreational Vehicle Generator GN-410 Engine (Model 02010-0 and 04164-0) – Drawing No. A7894-E



ITEM	PART NO.	QTY.	DESCRIPTION	ITEM	PART NO.	QTY.	DESCRIPTION
1	21533	1	PISTON RING SET	29	A9877	1	CAMSHAFT ASSEMBLY
3	71978	1	CONNECTING ROD WITH CAP & BOLT	30	72655	2	CRANKSHAFT 35 I.D. SEAL
4	71980	1	PISTON PIN	31	76361	1	THRUST WASHER
5	71983	2	PISTON PIN RETAINER	32	A5776	1	PRESSURE RELIEF BALL
6	21713B	1	CYLINDER HEAD GASKET	33	A7308	1	GOVERNOR SPOOL
7	A1442	8	FLANGED HEX HD. CAPSCREW M8-1.25 X 42	34	78645	1	GOVERNOR RETAINER (C-RING)
8	21742	4	M10 1.5 X 105MM HHFL	35	78691	1	COVER, OIL PRESSURE RELIEF
9	96699	1	PISTON	36	74908	1	M5-0.8 X 10MM TAPTITE
10	76701	1	CRANKCASE GASKET	37	A8930	1	GOVERNOR GEAR ASSEMBLY
11	45756	2	M6-1.0 X 10 TAPTITE (THD. FORMING)	38	A5771	1	OIL PRESSURE SPRING
12	80308	2	BREATHER GASKET	39	B2104	1	SPRING WASHER
13	80309	1	BREATHER COVER	40	89280D	1	OIL SUMP ASSEMBLY
14	80338	1	OIL BREATHER SEPARATOR	42	78658	1	GOVERNOR ARM "R" PIN
15	26925	1	PIPE PLUG-3/8"	43	78659	2	THRUST WASHER
16	83897	2	TAPPET, SOLID	46	A7628	1	GOVERNOR ARM RC45
17	72694	2	PIVOT BALL STUD	48	C3396C	1	CRANKCASE SUB ASSEMBLY
18	72696	2	JAM NUT (ROCKER ARM)	49	84430	1	BALANCER
19	78672	1	SEAL, VALVE STEM	50	86002	1	OUTER GEROTOR
20	78694	1	PUSH ROD GUIDE PLATE	51	86026	1	INNER GEROTOR
21	83907	2	ROCKER ARM	52	88396B	2	PUSH ROD
22	21714	1	CYLINDER HEAD W/VALVE SEATS AND GUIDES	53	90416A	1	CRANKSHAFT ASSEMBLY
23	86514	2	VALVE SPRING RETAINER	54	90747	1	BREATHER VALVE ASSEMBLY
24	86515	4	VALVE SPRING KEEPER	55	C3150	1	ROCKER COVER GASKET
25	86516	1	EXHAUST VALVE	57	92362	1	ROCKER COVER W/FILL
26	86517	1	INTAKE VALVE	58	79246	4	M6-1.0 X 16MM HEX HEAD. SCREW. AND LOCKWASHER
27	89673	2	WASHER, VALVE SPRING	59	83921	1	BEARING TUBE SHAFT
28	C4391	2	VALVE SPRING	60	77158	1	OIL SCREEN PICKUP ASSEMBLY
				63	76329	1	OIL FILL PLUG
				64	86254	1	"O" RING 17.8 I.D. X 2.4 THICK
				65	93064	1	OIL FILL CAP ASSEMBLY

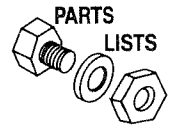


Appendix 4 – Exploded Views and Parts Lists
PRIMEPACT 50 Recreational Vehicle Generator
Engine Accessories (Model 02010-0) – Drawing No. A8923-B

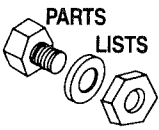


Appendix 4 – Exploded Views and Parts Lists

**PRIMEFACT 50 Recreational Vehicle Generator
Engine Accessories (Model 02010-0) – Drawing No. A8923-B**

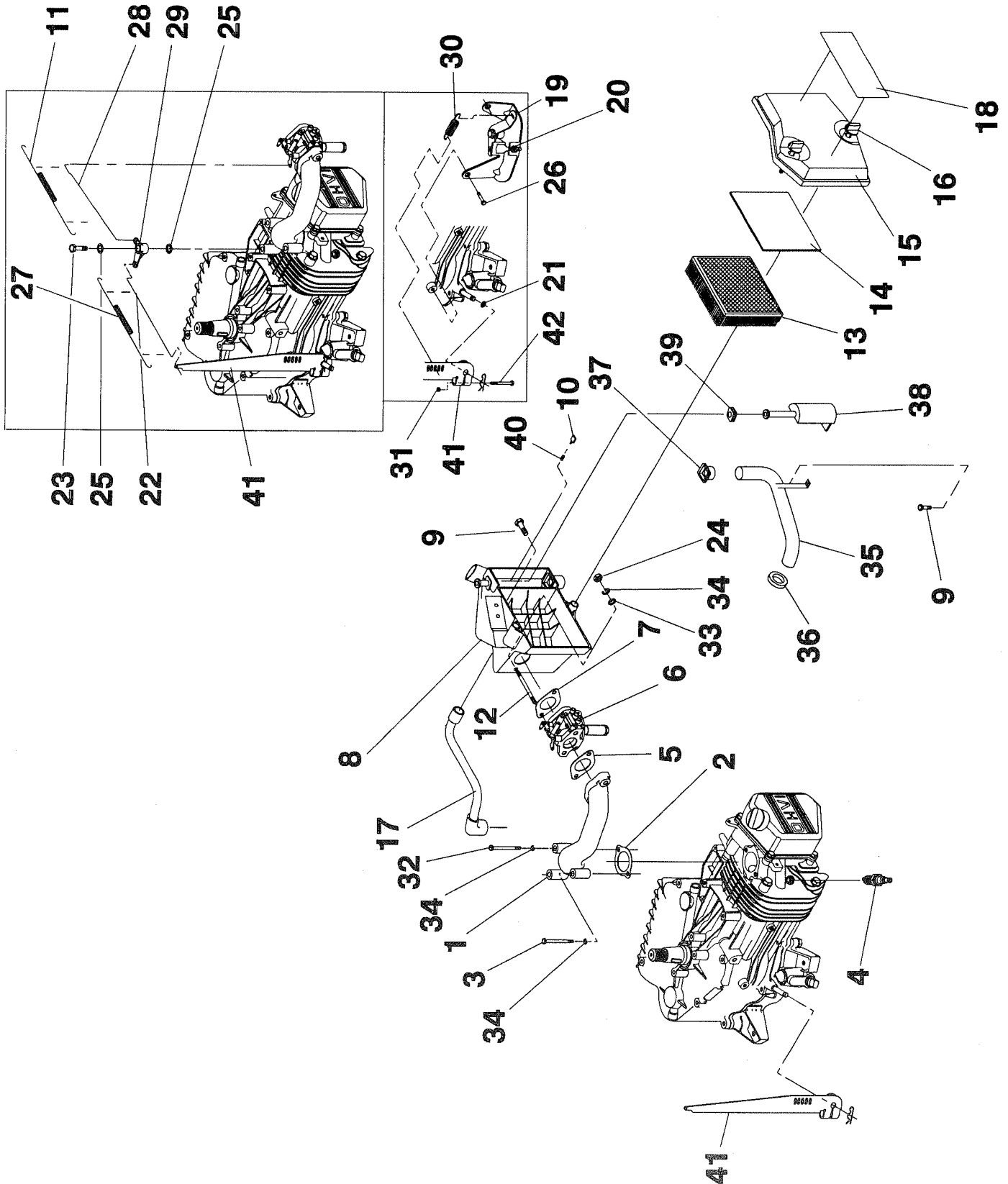


ITEM	PART NO.	QTY.	DESCRIPTION
1	A6532	1	MANIFOLD, INTAKE
2	91039	1	GASKET, MANIFOLD/HEAD
3	51753	1	HHCS-M6-1.0 X 40MM
4	72347	1	SPARK PLUG, CHAMP
5	89228	1	GASKET, CARB/MANIFOLD
6	A6562	1	CARBURETOR
7	90970	1	GASKET, CARB/AIR FILTER
8	A6564	1	BASE, AIR FILTER
9	56893	3	CRIMPTITE #10-24 X 1/2"
10	A6566	1	DETENT
11	A6780	1	SPRING, A/L BELLCRANK-CARB.
12	96290	2	STUD, CARB. MOUNT 90 LG.
13	73111	1	FILTER, AIR
14	81646	1	PRE-CLEANER, AIR FILTER
15	A6563	1	COVER, AIR FILTER
16	C3633	2	KNOB, AIR CLEANER
17	A7095	2	RHMS-#4-40 X 5/16"
18	C2332	1	DECAL, AIRBOX QP55
19	92164	1	ASSEMBLY, GOV. SPRING ADI BRACKET
20	83503	1	NUT, LOCKING M5-0.8
21	A7029	1	NYLON WASHER, .31" X .26" X .13"
24	49813	2	NUT, M6-1.0
26	83512	2	TAPTITE-M8-1.25 X 16MM
27	A6239	1	ASSEMBLY, CHOKE SOLENOID
28	A6584	1	LINKAGE, CHOKE
29	36544	1	PIN, COTTER, 3/32" X 1/2"
30	89473	1	ASSEMBLY, CHOKE HEATER
31	A7094	2	SCREW, PHILLIPS PAN HD. MACH. #4-40 X .25"
32	20753	1	HHCS-M6-1.0 X 60MM
33	22473	2	M6 FLAT WASHER
34	22097	4	M6 LOCK WASHER
35	A6582	1	TUBE, WINTER INLET
36	A6503	1	GROMMET 1/16"-1-1/2"
37	A6569	1	GROMMET, AIR IN/OUT
38	A6565	1	VALVE, WINTER/SUMMER
39	A6568	1	GROMMET, WINTER/SUMMER VALVE
40	A6567	1	SPRING, DETENT
41	90968	1	LEVER, GOVERNOR ARM
42	83532	1	BOLT, HEX HD. WASHER/LOCK WASHER-M6-1.0 X 30MM
43	86681	1	NUT, GOVERNOR LEVER
44	A8222	1	SPRING, GOVERNOR
45	A6753	1	BELLCRANK, GOV. RODS
46	92586	2	WASHER, FELT
47	91161	1	BOLT, SHOULDER, M6-1.0 X 15MM
48	A6913	1	ROD, LINKAGE GOV. LEVER-BELLCRANK
49	A6785	1	ROD, LINKAGE BELLCRANK-CARB.
50	A6778	1	SPRING, A/L GOV. LEVER-BELLCRANK
51	A6581	1	BREATHER, TUBE



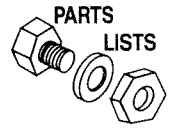
Appendix 4 – Exploded Views and Parts Lists

PRIMEPACT 50 Recreational Vehicle Generator
 Engine Accessories (Model 04164-0) – Drawing No. C3880-A



Appendix 4 – Exploded Views and Parts Lists

PRIMEPACT 50 Recreational Vehicle Generator Engine Accessories (Model 04164-0) – Drawing No. C3880-A



ITEM	PART NO.	QTY.	DESCRIPTION
1	A6532	1	MANIFOLD, INTAKE
2	91039	1	GASKET, MANIFOLD/HEAD
3	51753	1	HHCS-M6-1.0 X 40MM
4	72347	1	SPARK PLUG, CHAMP
5	89228	1	GASKET, CARB/MANIFOLD
6	A7336A	1	CARBURETOR, GN 410 L/P
7	90970	1	GASKET, CARB/AIR FILTER
8	A6564	1	BASE, AIR FILTER
9	56893	3	CRIMPTITE #10-24 X 1/2"
10	A6566	1	DETENT
11	A6780	1	SPRING, A/L BELLCRANK-CARB.
12	96290	2	STUD, CARB. MOUNT 90 LG.
13	73111	1	FILTER, AIR
14	81646	1	PRE-CLEANER, AIR FILTER
15	A6563	1	COVER, AIR FILTER
16	C3633	2	KNOB, AIR CLEANER
17	A6581	1	BREATHER, TUBE
18	C2332	1	DECAL, AIRBOX QP55
19	92164	1	ASSEMBLY, GOV. SPRING ADI BRACKET
20	83503	1	NUT, LOCKING M5-0.8
21	A7029	1	NYLON WASHER, .31" X .26" X .13"
22	A6913	1	ROD, LINKAGE GOV. LEVER-BELLCRANK
23	91161	1	BOLT, SHOULDER, M6-1.0 X 15MM
24	49813	2	NUT, M6-1.0
25	92586	2	WASHER, FELT
26	83512	2	TAPTITE-M8-1.25 X 16MM
27	A6778	1	SPRING, A/L GOV. LEVER-BELLCRANK
28	A6785	1	ROD, LINKAGE BELLCRANK-CARB.
29	A6753	1	BELLCRANK, GOV. RODS
30	A8222	1	SPRING, GOVERNOR
31	86681	1	NUT, GOVERNOR LEVER
32	20753	1	HHCS-M6-1.0 X 60MM
33	22473	2	M6 FLAT WASHER
34	22097	4	M6 LOCK WASHER
35	A6582	1	TUBE, WINTER INLET
36	A6503	1	GROMMET 1/16"-1-1/2"
37	A6569	1	GROMMET, AIR IN/OUT
38	A6565	1	VALVE, WINTER/SUMMER
39	A6568	1	GROMMET, WINTER/SUMMER VALVE
40	A6567	1	SPRING, DETENT
41	90968	1	LEVER, GOVERNOR ARM
42	83532	1	BOLT, HEX HD. WASHER/LOCK WASHER-M6-1.0 X 30MM