

GENERAC[®]

POWER SYSTEMS, INC.

Owner's Manual

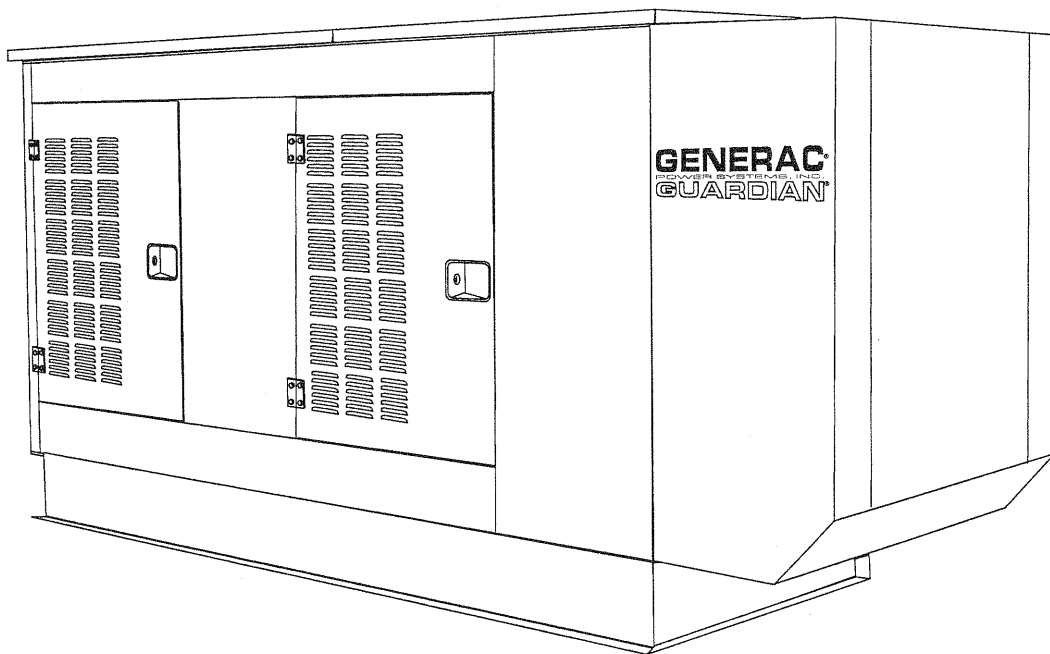
GUARDIAN[™]

by GENERAC[®] POWER SYSTEMS

Liquid-cooled, Prepackaged
Standby Generators

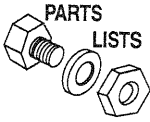
Models:

004373-1 (40 kW/Single-phase
w/ 200 Amp
Transfer Switch)



—▲ **DANGER** ▲—

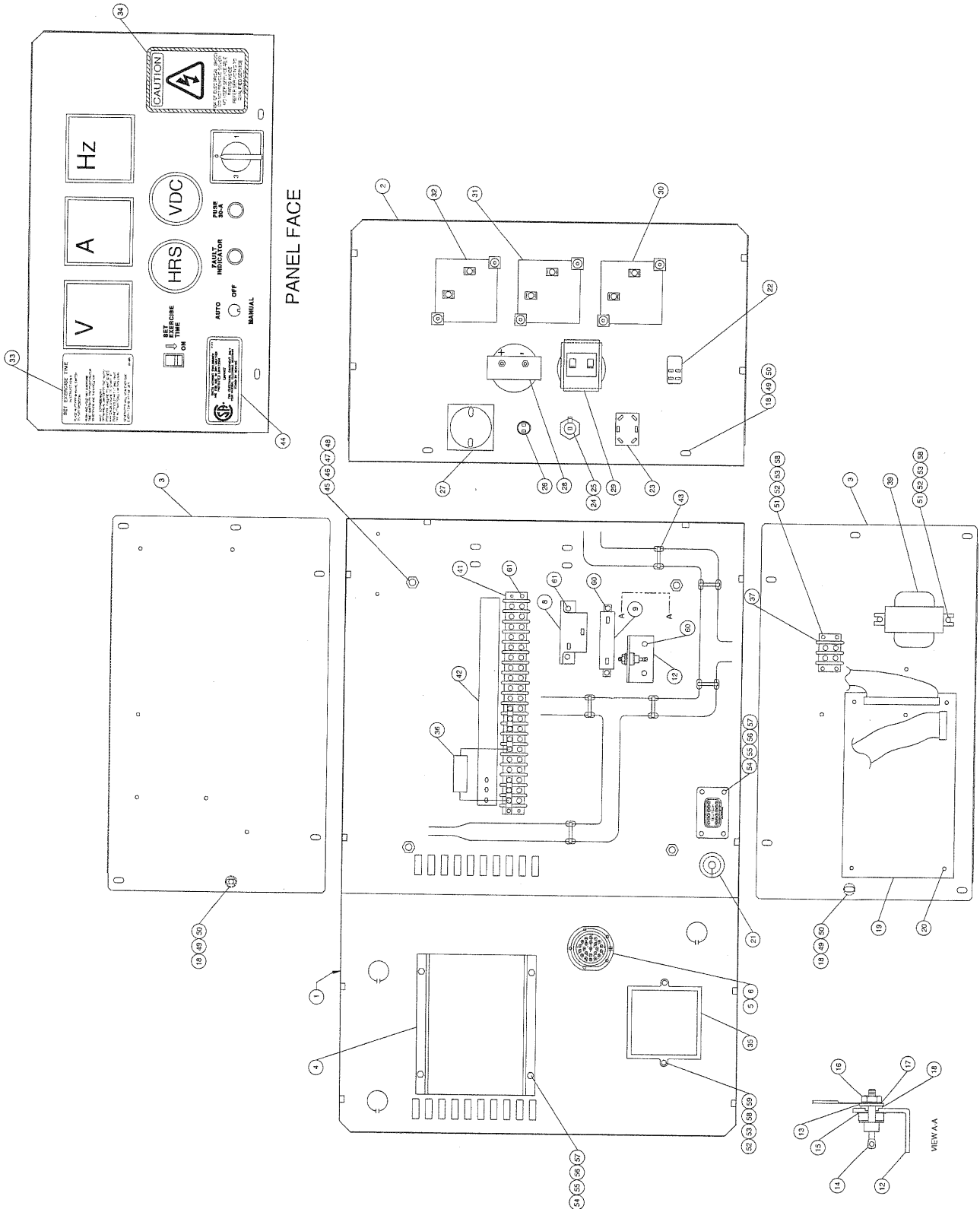
ONLY QUALIFIED ELECTRICIANS OR CONTRACTORS
SHOULD ATTEMPT INSTALLATION!!



Section 7 – Exploded Views and Parts Lists

Guardian Liquid-cooled 40 kW Generators

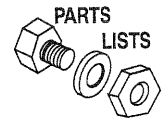
Lower Panel - Drawing No. 0D4995



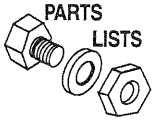
Section 7 – Exploded Views and Parts Lists

Guardian Liquid-cooled 40 kW Generators

Lower Panel - Drawing No. 0D4995

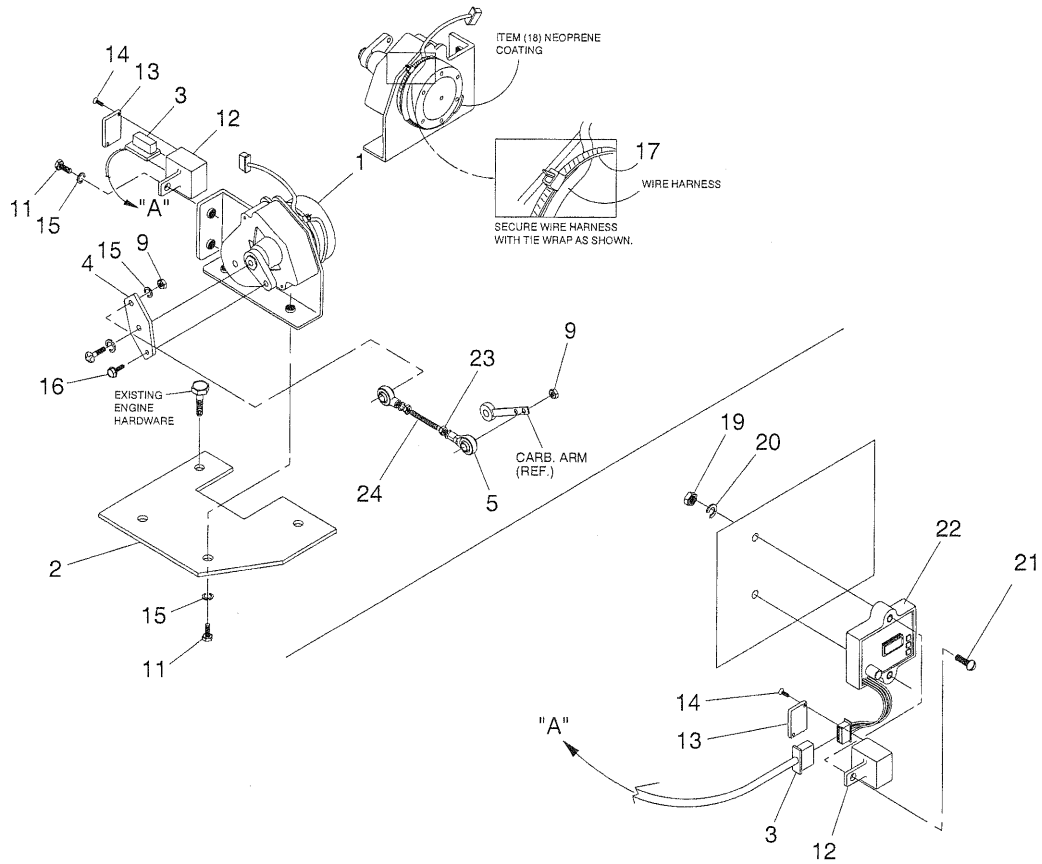


ITEM	PART NO.	QTY.	DESCRIPTION	ITEM	PART NO.	QTY.	DESCRIPTION
1	0D1523	1	PANEL BTM & BACK CONTROL PANEL	31	070045	1	AMMETER AC 0-200
2	0D1521A	1	CONTROL PANEL, FRONT W/ SILK SCREEN	32	070042	1	FREQUENCY METER 240V 55-65HZ
3	0D1522	2	PANEL,SIDE COVER CONTROL PANEL	33	081988	1	DECAL EXERCISE INFO
4	067680	1	ASSY VOLTAGE REGULATOR 60HZ	34	0C1229	1	DECAL CUST CONN BOX
5	0C8243	1	WASHER LOCK HDPDEUTSCH	35	098647	1	ASSY L.C. ELECT GOV
6	0C8244	1	NUT, HDP DEUTSCH	36	0A3968	1	CAPACITOR FILTER ASY
8	048476	1	CIRCT BRK 4.5X1 AUT30KW CNT45K	37	048766	REF	BLOCK TERM 20A 2 X 6 X 1100V
9	057907	1	RES WW LUG 10R 10% 25W	39	083264	1	TFMR ASM,CMA 240/12V
10	064008	1	COVER CON PNL TOP (NOT SHOWN)	41	057335	REF	BLOCK TERM 20A 20 X 6 X 1100V
12	055444	1	HEATSINK	42	076061	1	DECAL, TERM. STRIP
13	030468	1	WASHER STEP NYLON .20	43	029333	6	TIE WRAP 7.4"X.19" NATL UL
14	049939	1	RECTIFIER MSC 12A 600V 1N1206R	44	061391	1	PLATE CSA NOT FOR RESALE
15	070370	1	WASHER MICA .203	45	040479	4	VIB MNT 1.0 X 1.0 X 1/4-20
16	022158	1	NUT HEX #10-32 STEEL	46	022507	4	SCREW HHC 1/4-20 X 1/2 G5
17	023762	1	WASHER SHAKEPROOF EXT #10 STL	47	022127	4	NUT HEX 1/4-20 STEEL
18	023897	15	WASHER FLAT #10 ZINC	48	022097	4	WASHER LOCK M6-1/4
19	076009A	1	PP LOGIC ASM 50/60HZ	49	033121	14	SCREW HHC #10-32 X 1/2
20	040213	4	PCB SUPPORT SNAP-IN 1/4"	50	022152	14	WASHER LOCK #10
21	027744	1	GROMMET 3/4 X 5/32 X 5/16	51	036902	4	SCREW PPHM #6-32 X 1/2
22	082573	1	SWITCH ROCKER DPST 125V SPD	52	022155	6	WASHER LOCK #6
23	076020	1	SWITCH TOG DPDT 15/10 SP	53	022985	8	WASHER FLAT #6 ZINC
24	032300	1	HOLDER FUSE	54	036918	8	SCREW PPHM #8-32 X 1/2
25	022676	1	FUSE 15A X AGC15	55	022264	8	WASHER LOCK M4
26	064009	1	LIGHT 12VDC .02A LED RED PILOT	56	038150	8	WASHER FLAT #8 ZINC
27	061945	1	SWITCH SELECTOR 6A AMP/V	57	022471	8	NUT HEX #8-32 STEEL
28	076037	1	VOLTMETER DC 8-18V	58	022188	6	NUT HEX #6-32 STEEL
29	070081	1	HOURMETER	59	036908	2	SCREW PPHM #6-32 X 1-1/4
30	070043	1	VOLTMETER AC 0-300	60	0C2428	4	SCREW PHTT #6-32 X 1/2 ZYC
				61	0C2323	4	SCREW PHTT #6-32 X 5/8 ZYC



Section 7 – Exploded Views and Parts Lists

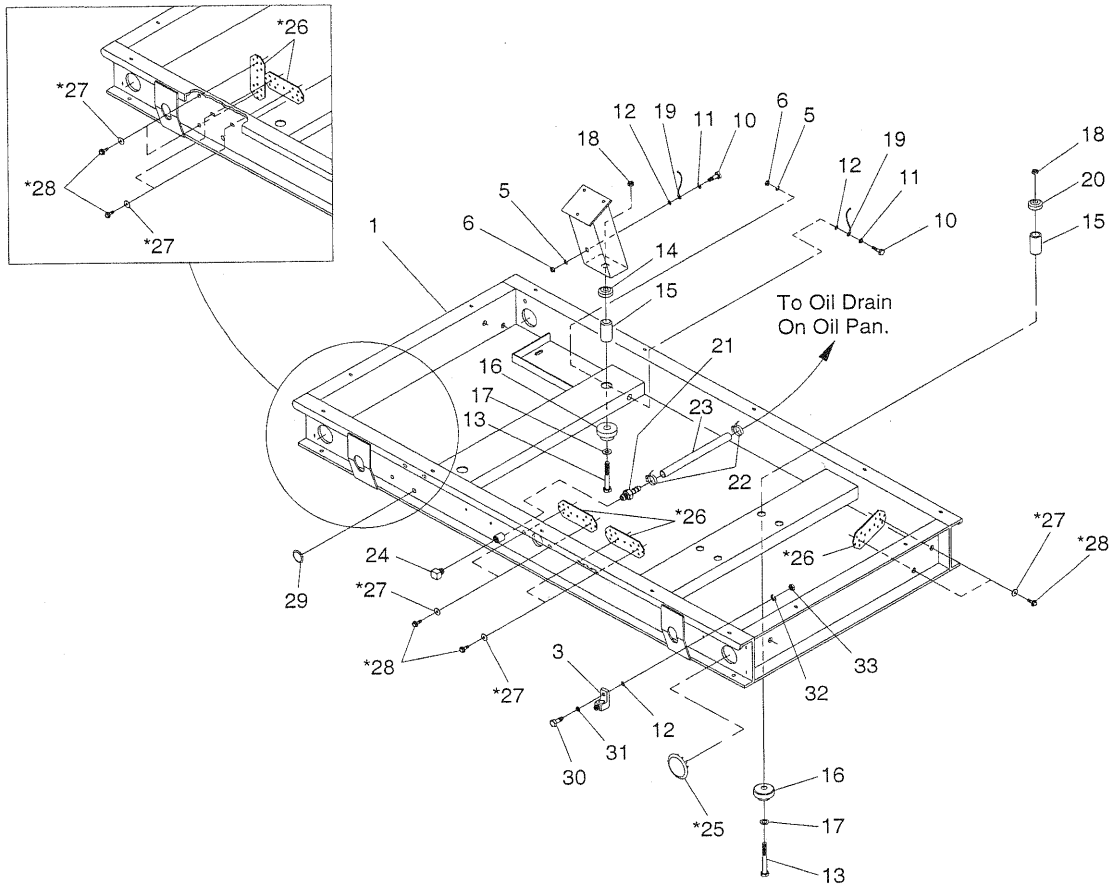
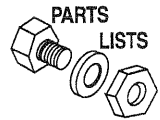
Guardian Liquid-cooled 40 kW Generator Electronic Governor – Drawing No. 0A2615-F



ITEM	PART NO.	QTY.	DESCRIPTION
1	098290	1	ASSEMBLY MOTOR STEPPER
2	0A3439	1	BRACKET GOVERNOR MOUNTING
3	098958A	1	CONNECTOR INTERFACE ASSEMBLY
4	021888	1	LEVER STEPPER MOTOR
5	082508	2	BALL JOINT PLA .25-.28
9	036409	2	NUT HEX 1/4-28 STEEL
11	043146	3	SCREW HHC M6-1.0 X 10 G8.8
12	098941A	2	HOUSING GOVERNOR CONNECT
13	098942A	2	COVER CONN HOUSING
14	098225	4	SCREW FHM #2 X 5/8 SELF TAP
15	022097	4	WASHER LOCK M6-1/4
16	064526	1	SCREW TAP HWH #6-25 X 3/8 ZINC
17	029333A	1	TIE WRAP 7.4" X .19" BLACK UL
18	074031	-	LIQUID NEOPRENE (NOT SHOWN)
19	051716	2	NUT HEX M5-0.8 G8 YEL CHR
20	049226	2	WASHER LOCK M5
21	076040	2	SCREW PPHM M5-0.8 X 16
22	098647	1	ASSEMBLY L.C. ELECTRONIC GOVERNOR
23	036409	2	NUT HEX 1/4-28 STEEL
24	0C2184	1	STUD THR 1/4-28 X 3-1/2 G2 ZINC

Section 7 – Exploded Views and Parts Lists

Guardian Liquid-cooled 40 kW Generator Mounting Base – Drawing No. 0C4399-C



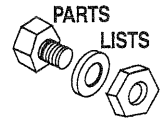
ITEM	PART NO.	QTY.	DESCRIPTION
1	0C3250	1	BASE, MOUNTING ASSEMBLY, 4.3I (DIRECT-COUPLED)
3	055414	1	LUG SLDLSS #2-#8 X 17/64 CU
5	022129	2	WASHER LOCK M8-5/16
6	045771	2	NUT HEX M8-1.25 G8 YEL CHR
10	043107	2	SCREW HHC M8-1.25 X 25 G8.8
11	022145	2	WASHER FLAT 5/16 ZINC
12	027482	3	WASHER SHAKEPROOF EXT 5/16 STL
13	055597	4	SCREW HHC M12-1.75 X 85 G8.8
14	052251	2	DAMPENER VIBRATION 40 BLUE
15	052257	4	SPACER .49 X .62 X 1.87 PWDR/ZINC
16	052252	4	DAMPENER VIBRATION
17	052259	4	WASHER FLAT M12
18	052860	4	NUT LOCKING M12-1.75
19	0536210098	1	ASSEMBLY GROUNDWIRE 10 ³ / ₈
20	052251A	2	DAMPENER VIBRATION 50 WHITE
21	044118	1	BARBED STRAIGHT 1/2 NPT X 5/8
22	057823	2	CLAMP HOSE #10 .56 - 1.06
23	057448	11"	HOSE 5/8 ID TYPE 3 SINGLE
24	024310	1	PLUG STD PIPE 1/2 STEEL SQ HD

ITEM	PART NO.	QTY.	DESCRIPTION
* 25	0A8785	4	PLUG BUTTON 3" DIA.
* 26	0C4360	8	PLATE VARMINIT
* 27	071693	16	WASHER FLAT .281 ID X 1.0 OD
* 28	0C2454	16	SCREW TH-FRM M6-1 X 16 N WA Z/JS
* 29	0C4753	1	PLUG 3/4 BUTTON
30	022413	1	SCREW HHC 1/4-20 X 1 G5
31	022473	1	WASHER FLAT 1/4 ZINC
32	022097	1	WASHER LOCK M6-1/4
33	022127	1	NUT HEX 1/4-20 STEEL

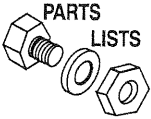
NOTES: 1) * ITEMS 25, 26, 27, 28 & 29 ARE INCLUDED FOR UNITS WITH ENCLOSURES ONLY. NOT INCLUDED WITH OPEN SETS.
 2) ITEM 25 (PLUG BUTTON 3" DIA.) IS USED AFTER SHIPPING. HOLES ARE TO REMAIN UNCOVERED FOR SHIPPING PURPOSES. PLUGS CAN BE FOUND IN THE MANUAL BAG LOCATED INSIDE THE LOWER CONNECTION BOX.

Section 7 – Exploded Views and Parts Lists

Guardian Liquid-cooled 40 kW Generator Engine Common Parts – Drawing No. A4304-F

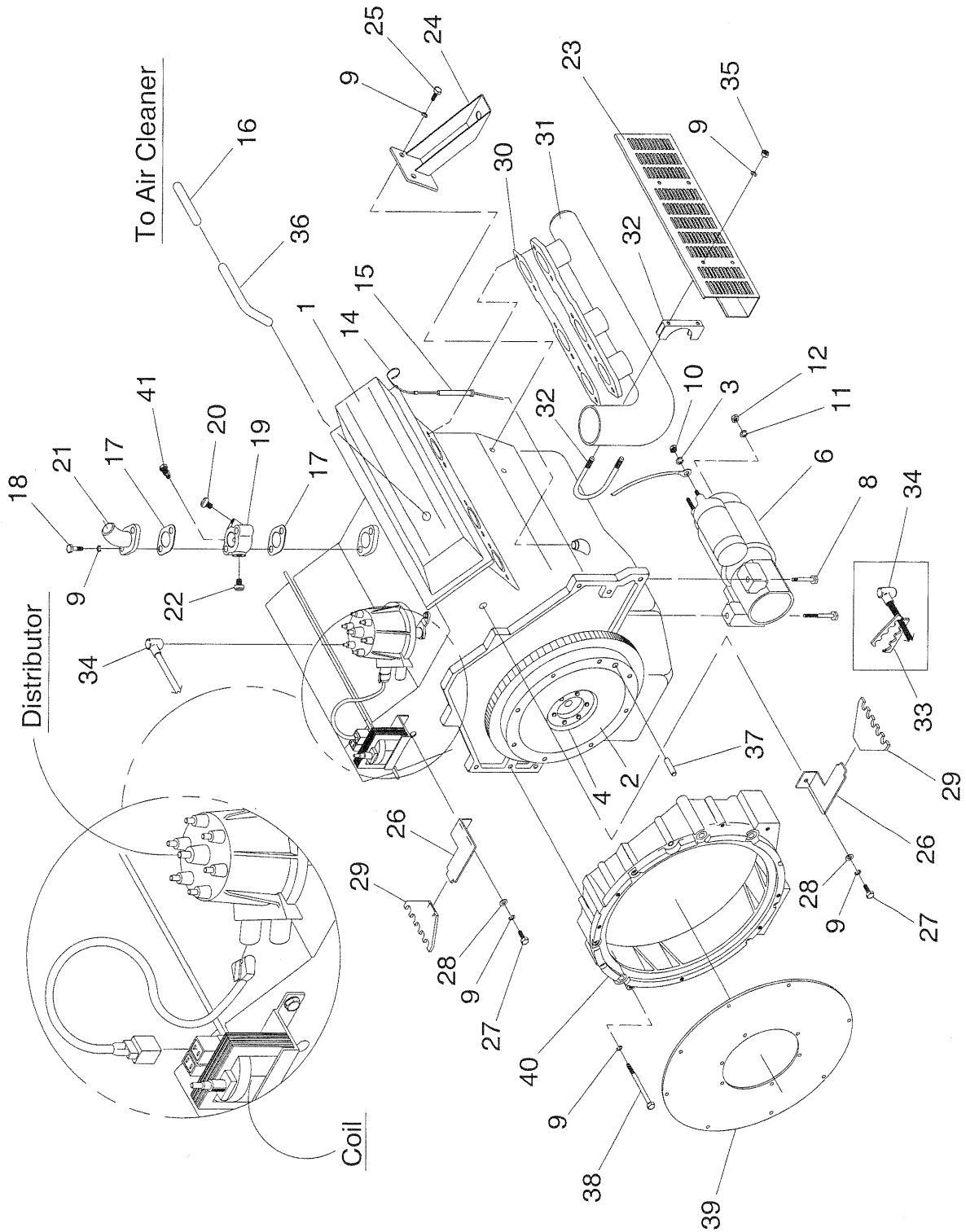


ITEM	PART NO.	QTY.	DESCRIPTION	ITEM	PART NO.	QTY.	DESCRIPTION
1	0A9046	1	ENGINE 4.3L GM	23	0A4241	1	PULLEY GROOVED IDLER
2	0A4084	1	MOUNT ENGINE (R & L)	24	0C2885	1	PULLEY, TENSIONER
3	0A4239	1	PULLEY CRANKSHAFT	25	0A4100G	1	SPACER DC ALTERNATOR 32MM
4	0A4240	1	PULLEY WATER PUMP	26	022131	9	WASHER FLAT 3/8-M10 ZINC
5	0A3876	1	SPACER FAN 50MM 4.3L (35KW UNITS ONLY)	27	077456	1	ADAPTOR M12-1.75 3/8 NPT
	0A5640	1	SPACER FAN 65MM (45KW UNITS ONLY)	28	044117	1	BARBED STRAIGHT 3/8 NPT X 5/8
6	0A4243	1	FAN 15" REVRS ROT (35KW UNITS ONLY)	29	057823	1	CLAMP HOSE #10 .56 - 1.06
	0A5639	1	FAN 17" REVRS ROT (45KW UNITS ONLY)	30	057448	12"	HOSE 5/8 ID TYPE 3 SINGLE
7	077996	1	CAP HOSE	31	022129	8	WASHER LOCK M8-5/16
8	057823	1	CLAMP HOSE #10 .56 - 1.06		022097	4	WASHER LOCK M6-1/4 (35KW)
9	035579	1	BUSHING REDUCER 1/4 TO 1/8	32	022142	4	SCREW HHC 5/16-18 X 3/4 G5 (45KW)
10	037065	1	SCREW HHC 7/16-20 X 2-1/4 G5		047411	4	SCREW HHC M6-1.0 X 16 G8.8 (35KW)
11	022302	1	WASHER LOCK 7/16	33	048614	4	SCREW HHC 5/16-24 X 3/4 G5
12	0A8584	1	SWITCH OIL PRESSURE	34	022237	15	WASHER LOCK 3/8
13	052644	1	SPACER .5 X 1.5 X .25 STL/ZINC	35	029745	7	SCREW HHC 3/8-16 X 1 G5
14	0A4278A	1	BELT SERPENTINE 72.5"	36	042633	3	SCREW HHC 3/8-24 X 1 G5
15	0A4930A	1	HEAT SHIELD LEFT	37	033819	1	SCREW HHC 3/8-16 X 4 G5
16	0A4085	1	GASKET EXHAUST MANIFOLD	38	022241	4	NUT HEX 3/8-16 STEEL
17	0A3927	1	MANIFOLD LEFT EXHAUST	39	0A5768	2	WASHER FLAT HEAVY DUTY
18	0C7947	2	BOLT U 3/8-16 X 2.50	40	046526	5	WASHER LOCK M10
19	0A1232	1	ASSEMBLY DC ALTERNATOR	41	049814	2	SCREW HHC M10-1.5 X 25 G8.8
20	0A4777	1	USE 0A7801B	42	0C3756	1	BOLT TENSIONER PULLEY
21	021928	1	BRACKET, ALTERNATOR SUPPORT	43	045772	2	NUT HEX M10-1.5 G8 YEL CHR
22	0C6239	1	ASSEMBLY BRACKET MOUNTING WELD				



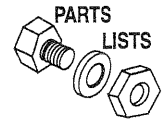
Section 7 – Exploded Views and Parts Lists

Guardian Liquid-cooled 40 kW Generators
 Engine Parts – Drawing No. A4305-E

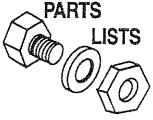


Section 7 – Exploded Views and Parts Lists

Guardian Liquid-cooled 40 kW Generators Engine Parts – Drawing No. A4305-E

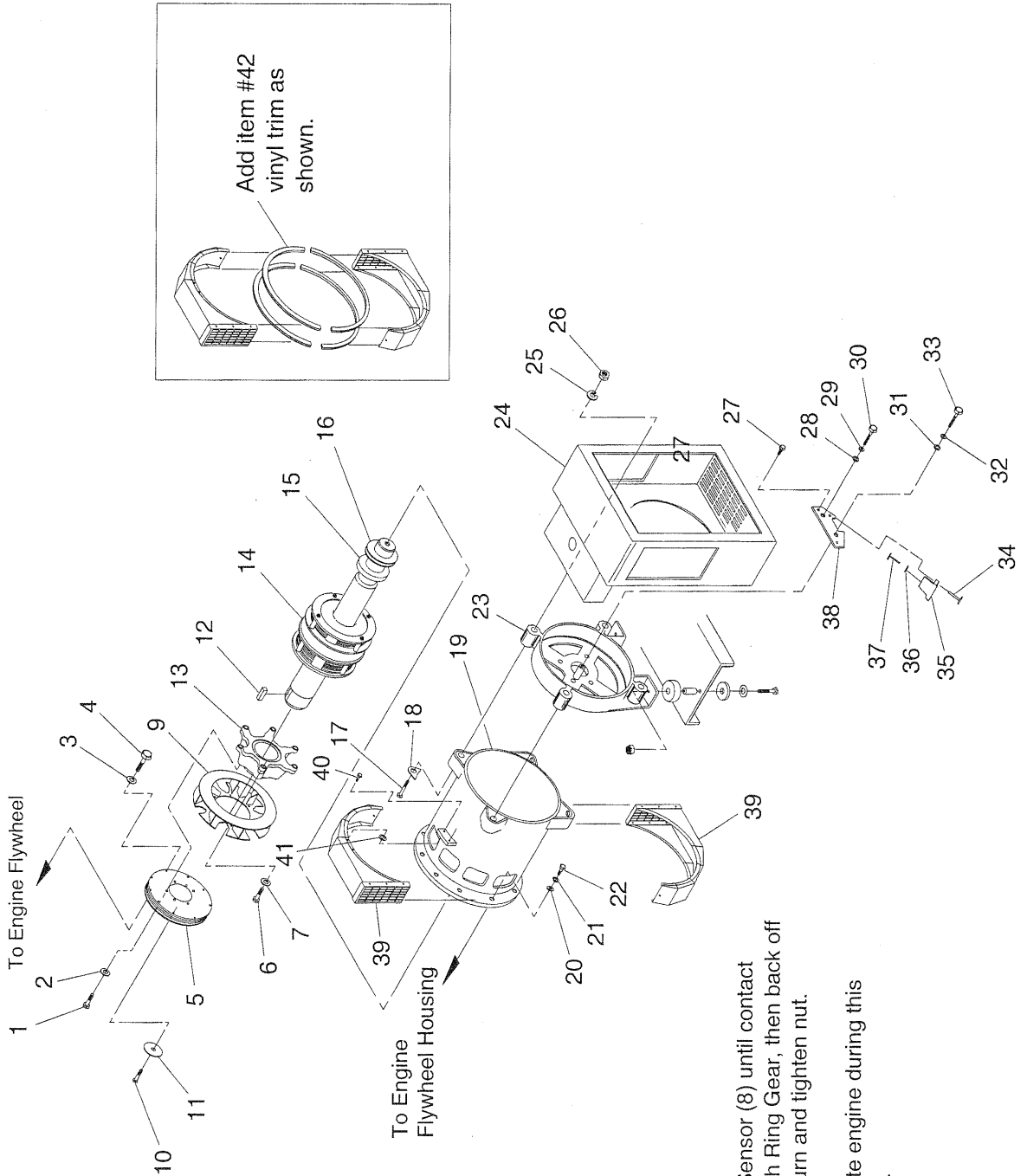


ITEM	PART NO.	QTY.	DESCRIPTION	ITEM	PART NO.	QTY.	DESCRIPTION
1	0A3797	1	USE 0A9046	24	0A4084	1	MOUNT ENGINE (R & L)
2	0A3849A	1	FLYWHEEL 4.3L GM SAE	25	029745	3	SCREW HHC 3/8-16 X 1 G5
3	070022	1	WASHER STAR M12 EXT	26	044101	2	BRACKET SPARK PLUG WIRE SUPPORT
4	0A6021	6	SCREW HHC 7/16-20 X 1 G8	27	023152	2	SCREW HHC 3/8-16 X 3/4 G5
6	059056A	1	STARTER 5.7L/7.4L GM	28	022131	2	WASHER FLAT 3/8-M10 ZINC
8	058385A	2	BOLT STARTER GM 4-1/4"	29	058030	2	RETAINER PLUG WIRES
9	022237	17	WASHER LOCK 3/8	30	0A4085	1	GASKET EXHAUST MANIFOLD
10	045772	1	NUT HEX M10-1.5 G8 YEL CHR	31	0A3928	1	MANIFOLD RIGHT EXHAUST
11	049226	1	WASHER LOCK M5	32	0C7947	2	BOLT U 3/8-16 X 2.50
12	051716	1	NUT HEX M5-0.8 G8 YEL CHR	33	057794	2	RETAINER SPARK PLUG WIRES
13	0A4244	1	CONNECTOR COIL TO DISTRIBUTOR	34	0A4277	1	WIRES SPARK PLUG 4.3L
14	0A4215	1	DIP STICK 4.3L GM	35	022241	4	NUT HEX 3/8-16 STEEL
15	0A4231	1	TUBE DIP STICK 4.3L	36	057795	1	CONNECTOR C/C VENT
16	059057	10"	HOSE 3/4 ID SAE-30R2	37	048191	2	PIN DOWEL M10 X 24
17	0A2440	2	GASKET THERMOSET	38	032303	6	SCREW HHC 3/8-16 X 3-1/2 G5
18	026568	2	SCREW HHC 3/8-16 X 2-3/4 G5	39	0A3852	3	PLATE FLEX GM
19	099729	1	USE 099729A	40	098239	1	CASTING ADAPTOR
20	053667	1	SENDER WATER TEMPERATURE	41	057522	1	SENSOR COOLANT LEVEL
21	069939	1	HOUSING THERMOSTAT				
22	035606	1	SENSOR HI COOLANT SHUTDOWN				
23	0A4930B	1	HEAT SHIELD RIGHT				
					*0A4308	1	HARNES 4.3L STD WIRE (NOT SHOWN)



Section 7 – Exploded Views and Parts Lists

Guardian Liquid-cooled 40 kW Generators
Generator – Drawing No. 0D5333

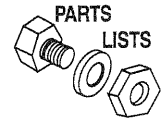


NOTE:
TORQUE ITEM #6 TO 24 FT/LB AND USE
THREAD LOCKING COMPOUND (T-13717).

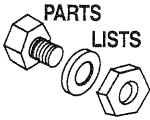
Note:
Thread in Sensor (8) until contact
is made with Ring Gear, then back off
1/2 to 3/4 turn and tighten nut.
Caution:
Do not rotate engine during this
adjustment.

Section 7 – Exploded Views and Parts Lists

Guardian Liquid-cooled 40 kW Generators Generator – Drawing No. 0D5333

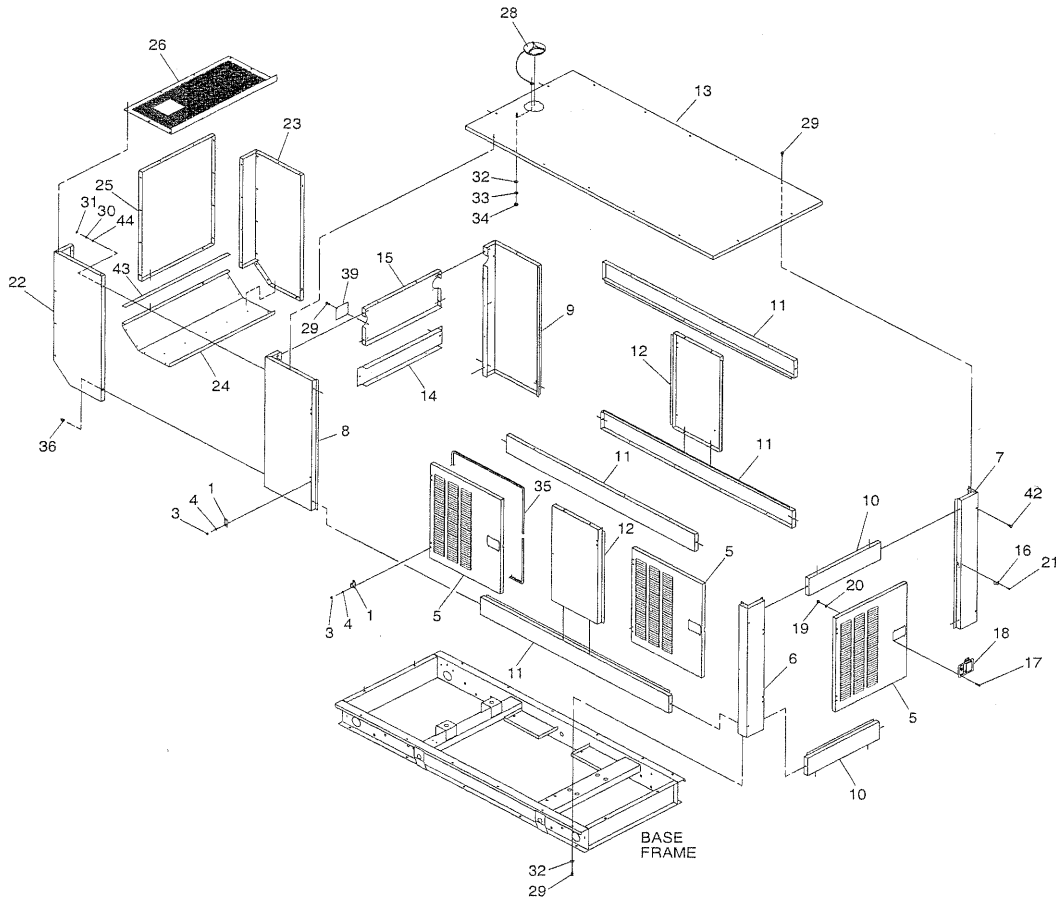


ITEM	PART NO.	QTY.	DESCRIPTION	ITEM	PART NO.	QTY.	DESCRIPTION
1	051768	6	SCREW HHC M12-1.75 X 25 G8.8	23	068113	1	CARRIER REAR BEARING 15"
2	051769	6	WASHER LOCK M12	24	068115	1	LOWER PANEL 15
3	022237	8	WASHER LOCK 3/8	25	043123	4	WASHER LOCK M14
4	043097	8	SCREW SHC 3/8-16 X 1 G8.8 NZ	26	051779	4	NUT HEX M14-2.0 G8 YEL CHR
5	0A3852	3	PLATE FLEX GM	27	046852	1	SCREW HHTT #10-32 X 1/4 BP
6	055173	6	SCREW HHC M8-1.25 X 20 G10.9	28	022250	1	WASHER FLAT 7/16
7	022129	6	WASHER LOCK M8-5/16	29	051769	1	WASHER LOCK M12
9	0A5526	1	FAN ASSEMBLY 390 SAE DD	30	057821	1	SCREW HHC M8-1.25 X 40 G8.8
10	0A2601	1	SCREW HHC M16-2.0 X 45 G8.8	31	022145	1	WASHER FLAT 5/16 ZINC
11	0A2602	1	WASHER FLAT .688 ID X 3.25 OD	32	022129	1	WASHER LOCK M8-5/16
12	0A1138	1	KEY SQ 3/8 X 2-1/2 STEEL	33	057821	4	SCREW HHC M8-1.25 X 40 G8.8
13	021941	1	COUPLER 390 SAE	34	024044A	2	ASSEMBLY BRUSH & SHUNT
14	020808A	1	ROTOR, 390, 40, 1P, DIRECT	35	023877D	4	BRUSH HOLDER-UNIV
15	052624	1	BEARING BALL 6212 SEALED	36	022155	4	WASHER LOCK #6
16	070892	1	SLIP RING -MACHINED-	37	025105	4	SCREW RHM 6-32 X 1/4 SIMS
17	065477	4	SCREW HHC M14-2.0 X 150 G8.8	38	071639	1	HOLDER BRUSH SUPPORT
18	0A1633	4	WASHER 390 SAE ALT	39	0A4089	1	ASSEMBLY SCROLL 390 SAE
19	020729A	1	STATOR 390 40AD2 SAE	40	0A2437	2	SCREW SWAGE 1/4-20 X 5/8 Z/YC
20	022131	12	WASHER FLAT 3/8-M10 ZINC	41	022473	2	WASHER FLAT 1/4 ZINC
21	046526	12	WASHER LOCK M10	42	056326	8.4'	TRIM VINYL BLACK 1/8 GP
22	057642	12	SCREW HHC M10-1.5 X 40 G10.9				



Section 7 – Exploded Views and Parts Lists

Guardian Liquid-cooled 40 kW Generators
Compartment – Drawing No. 0C4401-F



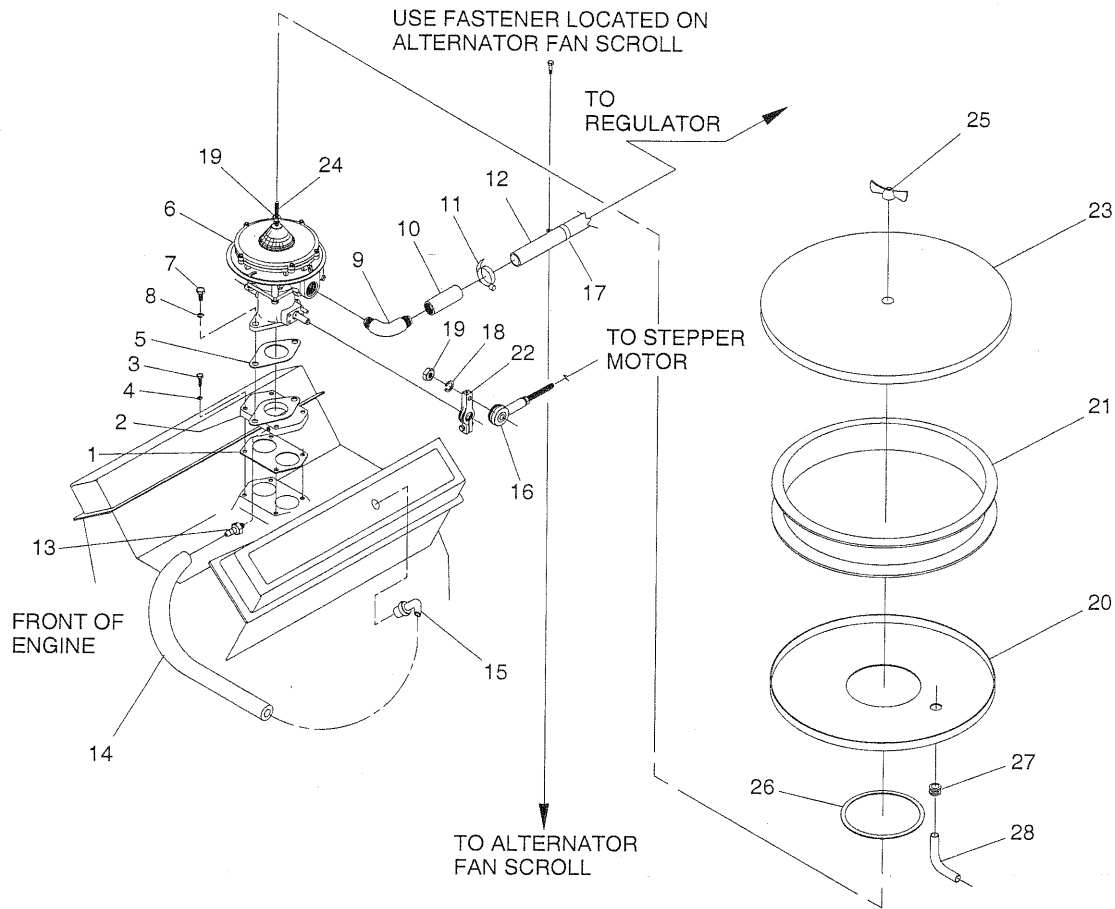
ITEM	PART NO.	QTY.	DESCRIPTION	ITEM	PART NO.	QTY.	DESCRIPTION
1	0C3594	10	ASSEMBLY M6 HINGE	23	0C4064 (A)	1	DUCT FRONT RH
3	0A3359	40	SCREW BHSC M6-1.0 X 16 SS	24	0C4066 (A)	1	DUCT BOTTOM
4	0A3360	40	SHAKEPROOF INT M6 SS	25	0C4067 (A)	1	DUCT FRONT PANEL
5	0C2522 (A)	5	DOOR SMALL STD. WELD	26	0C4117 (A)	1	DUCT FRONT TOP RH
6	0C2527 (A)	1	CORNER POST LH REAR	28	0C2634A	1	ASSEMBLY COVER ACCESS
7	0C2528 (A)	1	CORNER POST RH REAR	29	0C2454	76	SCREW TH-FRM M6-1X16 N WA Z/JS
8	0C2535 (A)	1	CORNER POST LH FRONT	30	022129	2	WASHER LOCK M8-5/16
9	0C2536 (A)	1	CORNER POST RH FRONT	31	042907	2	SCREW HHC M8-1.25 X 16 G8.8
10	0C2547 (A)	2	REAR BRACE TOP & BOTTOM	32	022473	15	WASHER FLAT 1/4 ZINC
11	0C2550 (A)	4	SIDE BRACE TOP & BOTTOM	33	022097	1	WASHER LOCK M6-1/4
12	0C2555 (A)	2	SIDE SUPPORT	34	022127	1	NUT HEX 1/4-20 STEEL
13	0C2560 (A)	1	ROOF ONE-PIECE WLDMT	35	0A9881	49.1 FT.	GASKET DOOR RUBBER
14	0C2642 (A)	1	FRONT BRACE BOTTOM (2.4L & 4.3L)	36	0C3393	2	SCREW SHOULDER
	0C4567 (A)	1	FRONT BRACE BOTTOM (3.0L D ONLY)	39	0C3400 (A)	1	COVER EXHAUST HOLE
15	0C2641 (A)	1	FRONT BRACE TOP (2.4L & 4.3L)	42	0C3397	4	FASTENER RATCHET
	0C4566 (A)	1	FRONT BRACE TOP (3.0L D ONLY)	43	066760	39-3/8"	STRIP SEALANT 1/8 X 1
16	0C2633	5	PLATE STRIKER GEN 2000	44	022145	2	WASHER FLAT 5/16 ZINC
17	0C6749	20	SCREW PPHM M4-0.7 X 12 SS				
18	060069	5	PADDLE HANDLE LOCK				
19	0C6748	20	NUT LOCK HEX M4-0.7 SS NYL INS				
20	080490	20	WASHER FLAT #8 SS				
21	087233	5	RIVET POP 3/16 X 1/4				
22	0C4065 (A)	1	DUCT FRONT LH				

OPTIONAL COMPARTMENT MATERIALS:
ALL P/N'S WITH AN "A" SUFFIX INDICATE
ALUMINUM MATERIAL OPTION.



Section 7 – Exploded Views and Parts Lists

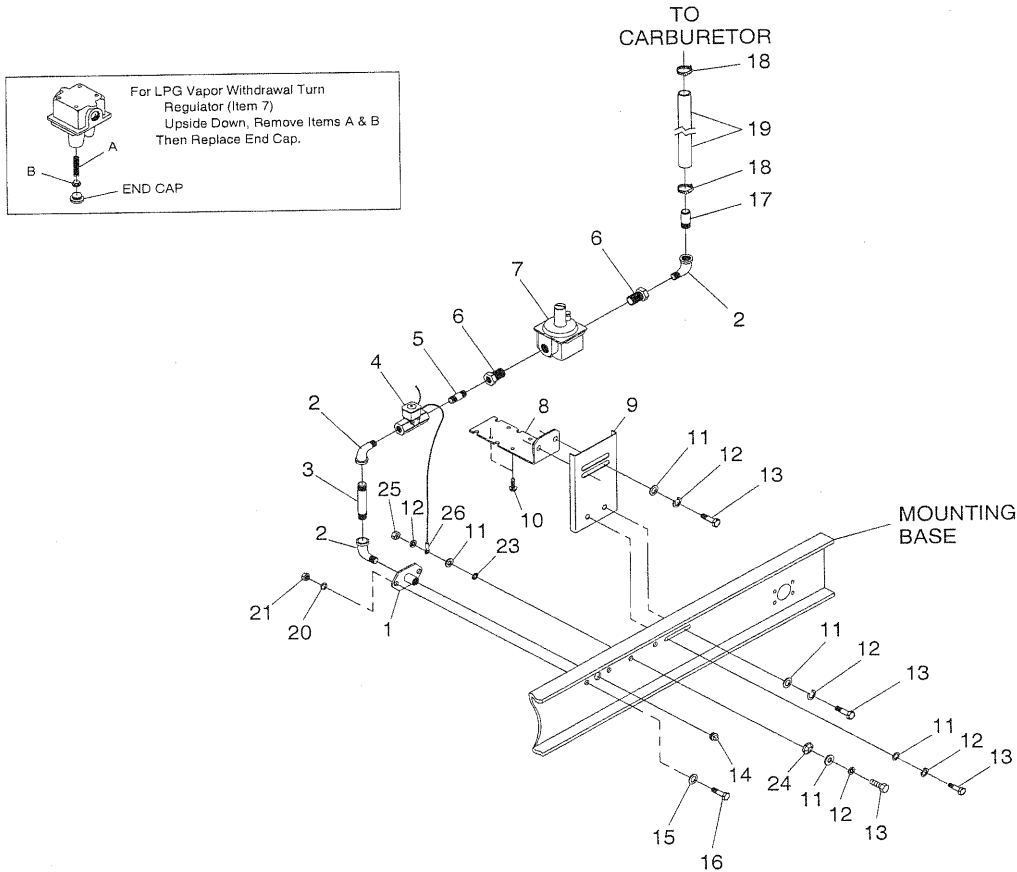
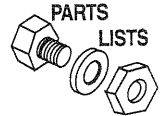
Guardian Liquid-cooled 40 kW Generators Carburetor – Drawing No. 0A5764-D



ITEM	PART NO.	QTY.	DESCRIPTION	ITEM	PART NO.	QTY.	DESCRIPTION
1	064945	1	GASKET CARBURETOR ADAPTOR	16	082508	1	BALL JOINT PLA .25-28
2	0A4120	1	ADAPTOR CARBURETOR W/INLET	17	055934Z	1	CLAMP VINYL 1.13 X .406 Z
3	033212	4	SCREW HHC 5/16-18 X 1-1/4 G5	18	022097	1	WASHER LOCK M6-1/4
4	022129	4	WASHER LOCK M8-5/16	19	036409	2	NUT HEX 1/4-28 STEEL
5	052865	1	GASKET CARBURETOR	20	0A4632B	1	PLATE AIR CLEANR BOTTOM
6	0A7631	1	CARBURETOR REWORK 4.3L (NATURAL GAS + VAPOR)	21	0A4637	1	FILTER AIR 11.5" CA326
	0C5716	1	CARBURETOR REWORK (LPG LIQUID)	22	0A5763	1	ARM THROTTLE-REWORK
7	029745	2	SCREW HHC 3/8-16 X 1 G5	23	0A4632A	1	PLATE AIR CLEANER TOP
8	022237	2	WASHER LOCK 3/8	24	062522	1	STUD THR 1/4-20 X 3 F THR G2 ZNC
9	026307	1	ELBOW 90 DEG STREET 3/4	25	037561	1	NUT WING 1/4-20 NYLK
10	028641	1	TOE NIPPLE (THREADED ONE END) 3/4 NPT x 2	26	061258	1	GASKET AIR CLEANER
11	057824	1	CLAMP HOSE #16 .87 - 1.50	27	057796	1	GROMMET
12	057422	44"	HOSE 1IN ID (NATURAL GAS + VAPOR)	28	057795	1	CONNECTOR C/C VENT
	057422	12"	HOSE 1IN ID (LPG LIQUID)	29*	0A5737B	1	SPACER DC ALT. 30LG (LP GAS)
13	0A6344	1	BARBED ELBOW 90 DEG 1/8 NPT X 3/8		0A5737C	1	SPACER DC ALT. (VAPOR & NATURAL GAS)
14	047290	9"	HOSE 3/8 ID SINGLE BRAID				
15	0A4121	1	VALVE PCV				* NOT SHOWN

Section 7 – Exploded Views and Parts Lists

Guardian Liquid-cooled 40 kW Generators Regulator – Drawing No. 0C2776-C

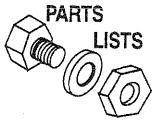


ITEM	PART NO.	QTY.	DESCRIPTION
1	065907	1	SUPPORT SOLENOID NAT GAS
2	026307	3	ELBOW 90 DEG STREET 3/4
3	076691	1	NIPPLE PIPE 3/4NPTX4.5 BLK IRN
4	043768A	1	SOLENOID GAS FUEL
5	026490	1	NIPPLE PIPE 3/4 NPT X 2
6	026577	2	BUSHING REDUCER 1 TO 3/4
7	055944	1	REGULATOR NAT GAS LPG VAPOR
8	067018	1	SUPPORT REGULATOR
9	0C2775	1	BRACKET REGULATOR 4.3L
10	061910	4	SCREW HHTT #10-24 X 3/4 YC
11	022145	6	WASHER FLAT 5/16 ZINC
12	022129	6	WASHER LOCK M8-5/16
13	030795	4	SCREW HHC 5/16-18 X 1 G5
14	025655	1	PLUG STD PIPE 3/4 STEEL SQ HD
15	022132	2	WASHER FLAT 9/16 ZINC
16	051778	2	SCREW HHC M14-2.0 X 25 G8.8

ITEM	PART NO.	QTY.	DESCRIPTION
17	028641	1	NIPPLE TOE 3/4 NPT X 2
18	057824	2	CLAMP HOSE #16 .87 - 1.50
19	057422	1	HOSE 1IN ID LP GAS
20	043123	2	WASHER LOCK M14
21	051779	2	NUT HEX M14-2 G8 YEL CHR
22*	055934P	1	CLAMP VINYL 1.62 X .486 Z
23	027482	1	WASHER SHAKEPROOF EXT 5/16 STL
24	0C3168	1	WASHER LOCK SPECIAL 5/16
25	022259	1	NUT HEX 5/16-18 STEEL
26	058359	1	LUG RNGTNG INS 22-18 X 5/16 X .477

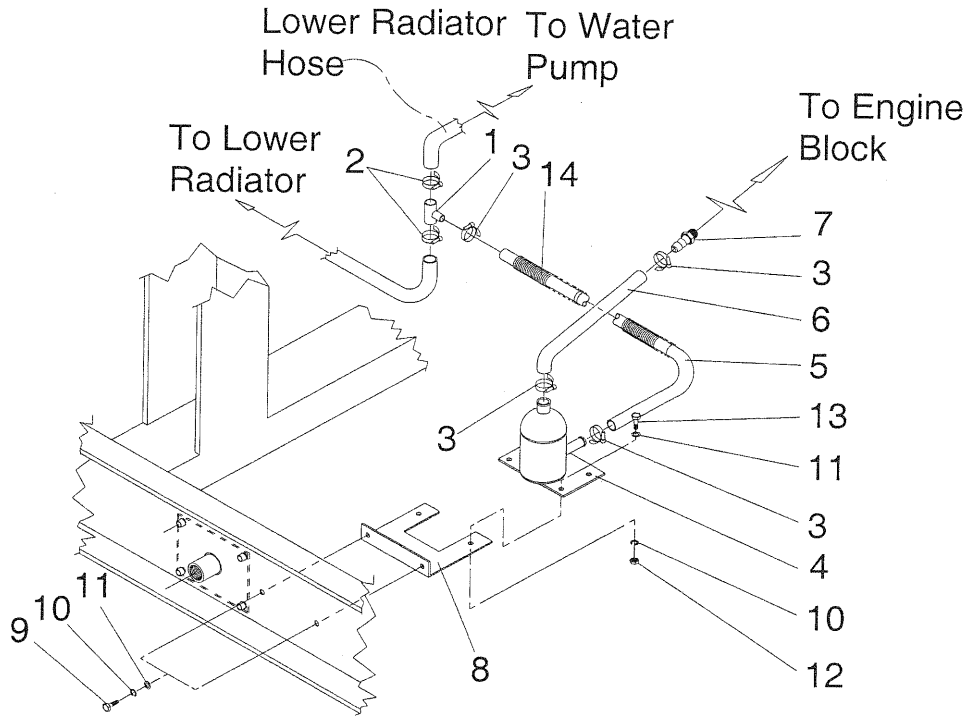
* NOT SHOWN

NOTE: ITEM #22 ATTACHES TO ALTERNATOR SCROLL



Section 7 – Exploded Views and Parts Lists

Guardian Liquid-cooled 40 kW Generators
 Engine Coolant Heater – Drawing No. 087434-D



ITEM	PART NO.	QTY.	DESCRIPTION
------	----------	------	-------------

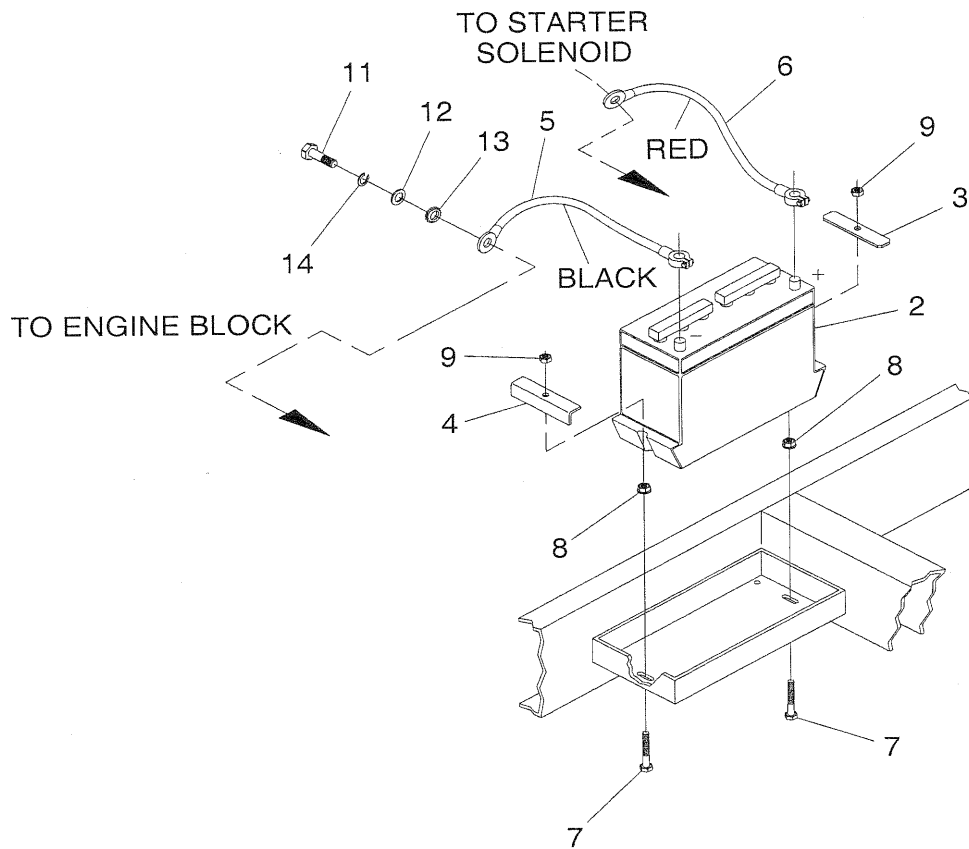
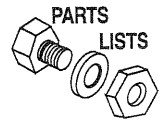
1	080723	1	HOSE CONNECTION TEE 1.75-.62
2	035685	2	CLAMP, HOSE #28 1.32-2.25
3	057822	4	CLAMP, HOSE #8 .53-1.00
4	084918-C	1	HEATER, ENGINE 1800W 120V.
	*084918-D	1	HEATER, ENGINE 2000W 240V.
5	050967	36"	HOSE, 5/8" I.D. RIA 250F
6	0A6283	1	HOSE, PREFORMED BLOCK HEATER
7	053660	1	BARBED ST. 1/4" NPT x 5/8 I.D.
8	084427	1	BRACKET, HEATER
9	047411	2	SCREW HHC M6-1.0 X 16 G8.8
10	022097	4	WASHER, LOCK-M6-1/4
11	022473	4	WASHER, FLAT 1/4 ZINC
12	049813	2	NUT, HEX-M6-1.00 G8 YEL CHR
13	042568	2	SCREW, HHC-M6-1.0 x 20MM G8.8
14	**077043E	36"	FLEXIBLE CONDUIT 1" BLACK

*USED ON "R" VOLTAGE GENERATORS ONLY

**ITEM #14 USED ONLY ON 4.3L UNITS

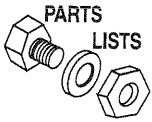
Section 7 – Exploded Views and Parts Lists

Guardian Liquid-cooled 40 kW Generators
Battery – Drawing No. A6708-F



ITEM	PART NO.	QTY.	DESCRIPTION
------	----------	------	-------------

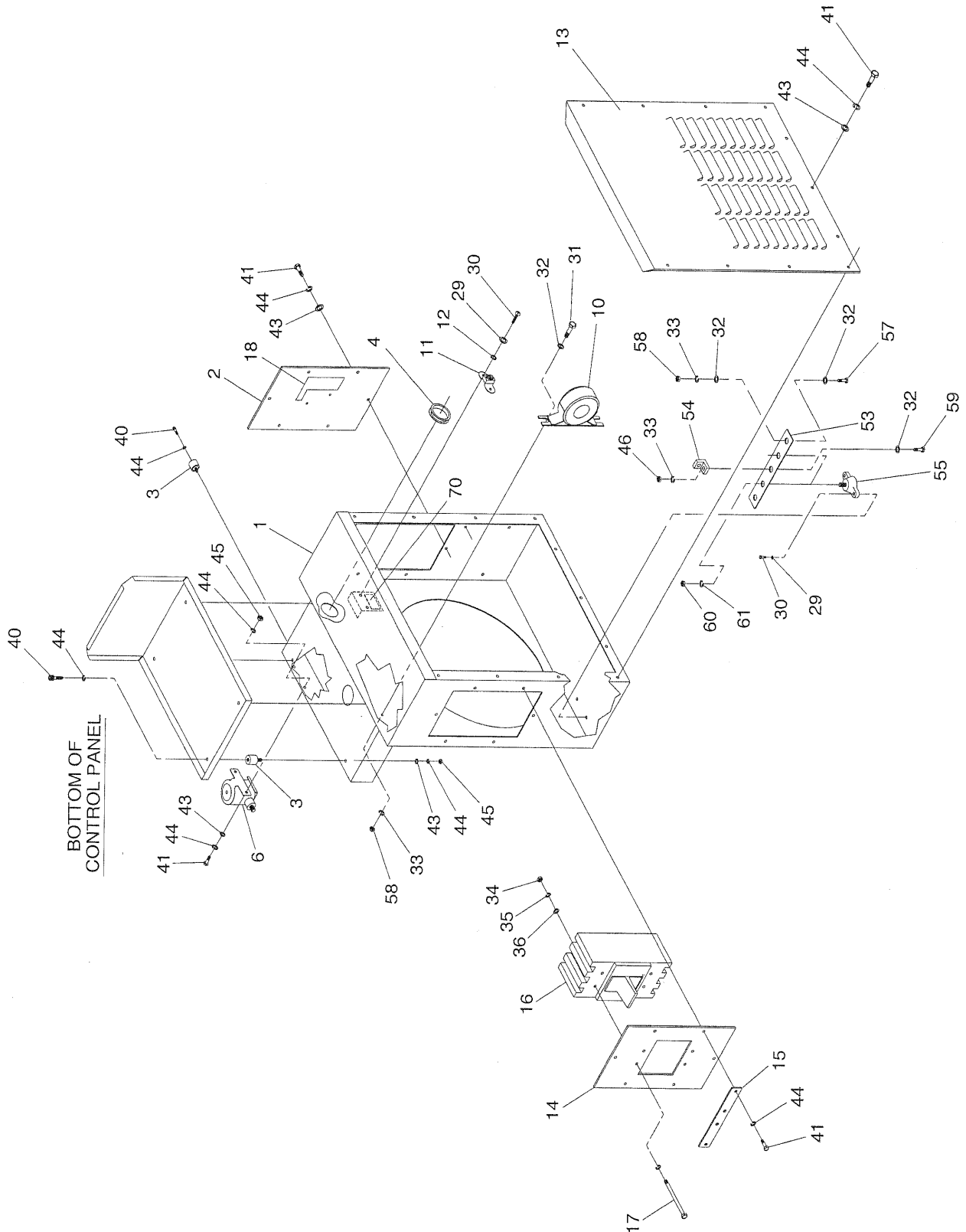
2	058665	1	BATTERY 12VDC 90-AH 27F (OPTIONAL)
3	061902	1	HOLD DOWN BATTERY
4	059473	1	HOLD DOWN BATTERY
5	038805H	1	CABLE BATTERY BLACK #1 X 23.00
6	038804N	1	CABLE BATTERY RED #1 X 15.00
	038804T	1	CABLE BATTERY RED #1 X 31.00 (GEAR BOX-NON-GUARDIAN UNITS)
7	0A4010	2	SCREW HHC M8-1.25 X 60 FTHD
8	052858	2	NUT LOCK FLANGE M8-1.25
9	049820	2	NUT LOCK HEX M8-1.25 (NYLON INSERT)
11	023152	1	SCREW HHC 3/8-16 X 3/4 G5
12	022131	1	WASHER FLAT M10-3/8 ZINC
13	025507	1	WASHER SHAKEPROOF EXT 7/16 STL
14	022237	1	WASHER LOCK 3/8



Section 7 – Exploded Views and Parts Lists

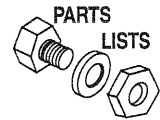
Guardian Liquid-cooled 40 kW Generators

Lower Panel – Drawing No. 0D5334



Section 7 – Exploded Views and Parts Lists

Guardian Liquid-cooled 40 kW Generators Lower Panel – Drawing No. 0D5334

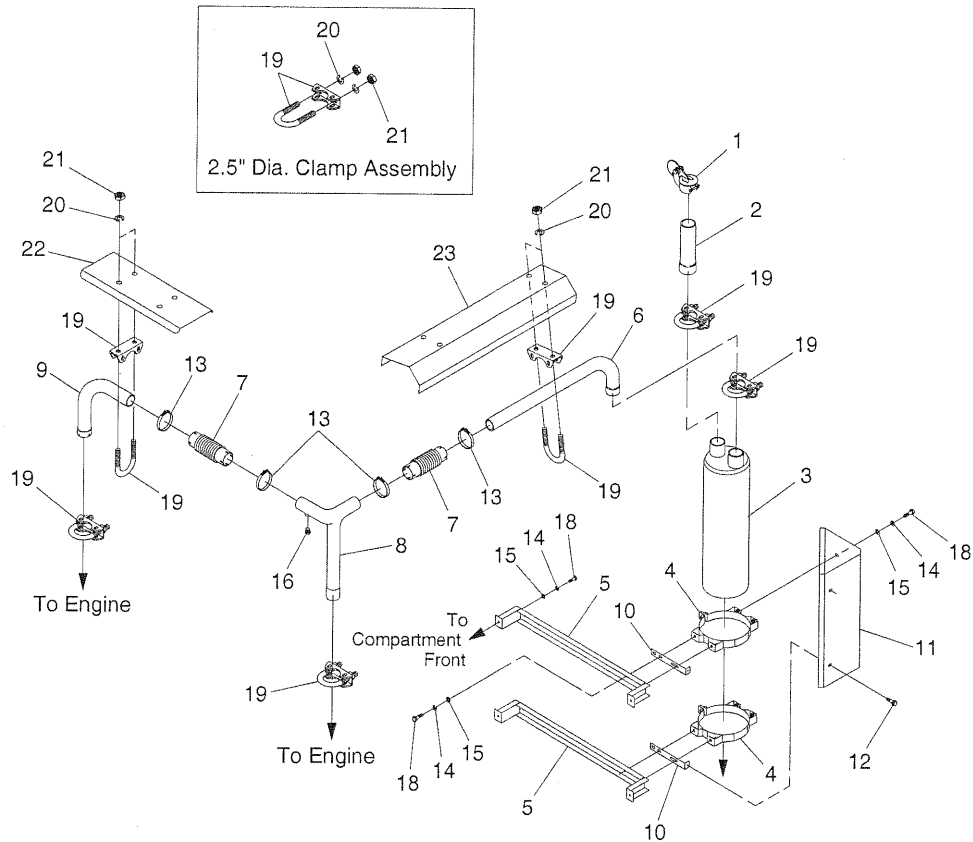


ITEM	PART NO.	QTY.	DESCRIPTION	ITEM	PART NO.	QTY.	DESCRIPTION
1	068115	1	LOWER PANEL 15	40	022507	8	SCREW HHC 1/4-20 X 1/2 G5
2	0D5489	1	COVER LOWER CONNECTION BOX	41	022287	27	SCREW HHC 1/4-20 X 3/4 G5
3	040479	4	VIBRATION MOUNT 1.0 X 1.0 X 1/4-20	42*	081320	4	SCREW SHC 1/4-20 X 4.5 G8.8 NZ
4	023484N	1	BUSHING SNAP SB-2.5-31	43	022473	19	WASHER FLAT 1/4 ZINC
6	056739	1	RELAY SOLENOID 12VDC PNL MNT	44	022097	50	WASHER LOCK M6-1/4
10	058710	2	TRANSFORMER 200A TO 5A 5VA	45	022127	12	NUT HEX 1/4-20 STEEL
11	048766	1	BLOCK TERM 20A 2 X 6 X 1100V	46	022259	6	NUT HEX 5/16-18 STEEL
12	022985	2	WASHER FLAT #6 ZINC	47*	027482	2	WASHER SHAKEPROOF EXT 5/16 STL
13	068116	1	COVER LOWER PANEL 15	51*	025853	4	SCREW RHM #10-32 X 3
14	081418	1	COVER-CB KAP36000 15"	52*	058306	3	SCREW SHC M8-1.25 X 25 G12.9
15	081419	1	COVER-CB TERM KAP 15"	53	069173	1	BUS BAR NEUTRAL STRP
16	081523U	1	CIRCT BRK 200 X 3 600V UL SQ D	54	057329	1	LUG SLDLSS 350-#6 X 13/32 AL/CU
17	042419	4	SCREW RHM 10-32 X 4		062684	1	LUG SLDLSS 2/0-#12 X 11/32 CU
18	0D5840	1	DECAL CUSTOMER CONNECTN FOR TS	55	057073	2	JUNCTION BLOCK 3/8-16
27*	033133	6	SCREW HHM #8-32 X 3/8	56*	033530	2	SCREW PHM #10-32 X 5/8 CAD
29	022264	13	WASHER LOCK M4	57	032287	2	SCREW HHC M8-1.25 X 45 G8.8
30	0C2212	4	SCREW PHTT M4-0.7 X 16 ZYC	58	045771	2	NUT HEX M8-1.25 G8 YEL CHR
31	022142	6	SCREW HHC 5/16-18 X 3/4 G5	59	022511	1	SCREW HHC 3/8-16 X 1-1/4 G5
32	022145	8	WASHER FLAT 5/16 ZINC	60	022241	3	NUT HEX 3/8-16 STEEL
33	022129	12	WASHER LOCK M8-5/16	61	022237	3	WASHER LOCK 3/8
34	022158	10	NUT HEX #10-32 STEEL	62*	022131	1	WASHER FLAT 3/8-M10 ZINC
35	022152	14	WASHER LOCK #10	63*	022125	1	USE 030795
36	023897	8	WASHER FLAT #10 ZINC	64*	033140	2	SCREW HHM #8-32 X 3/4
37*	069232	4	SCREW RHM #10-32 X 3-3/4	68*	033141	4	SCREW HHM #10-32 X 3/4
39*	022471	7	NUT HEX #8-32 STEEL	70	0D3388	1	DECAL REMOTE START CONNECTION

* NOT SHOWN

Section 7 – Exploded Views and Parts Lists

**Guardian Liquid-cooled 40 kW Generators
Generator – Drawing No. 0D5786**



ITEM	PART NO.	QTY.	DESCRIPTION	ITEM	PART NO.	QTY.	DESCRIPTION
1	059902A	1	CAP RAIN 2.50 / 2.69	12	0C2454	2	SCREW TH-FRM M6-1 X 16 N WA Z/JS
2	0C9641	1	TUBE STRAIGHT 'A' GROUP	13	0C3433A	4	CLAMP BAND 2.5"
3	0C9650	1	MUFFLER 2-1/2" INLET/OUTLET	14	022129	12	WASHER LOCK M8-5/16
4	0C4114A	2	CLAMP BAND MUFFLER 6.5"	15	022145	12	WASHER FLAT 5/16 ZINC
5	0C4126	2	BRACKET MUFFLER MOUNTING	16	0C9748	1	PLUG M18-1.5
6	0D5787	1	TUBE ELBOW 90 DEG 2.5"	18	042907	12	SCREW HHC M8-1.25 X 16 G8.8
7	0A5215B	2	PIPE FLEX 2.5"	19	080762	8	BOLT U 3/8-16 X 2.62
8	0D5792	1	TUBE 2.5" SMALL TEE	20	022237	16	WASHER LOCK 3/8
9	0D5793	1	TUBE ELBOW 90 DEG 2.5" FLARED	21	022241	16	NUT HEX 3/8-16 STEEL
10	0C4170	2	BRACKET EXHAUST SHIELD	22	0D5187	1	SHIELD HEAT CROSSOVER 4.3L
11	0C4305	1	SHIELD A-GRP HEAT	23	0D5190	1	SHIELD HEAT EXHAUST 4.3L